

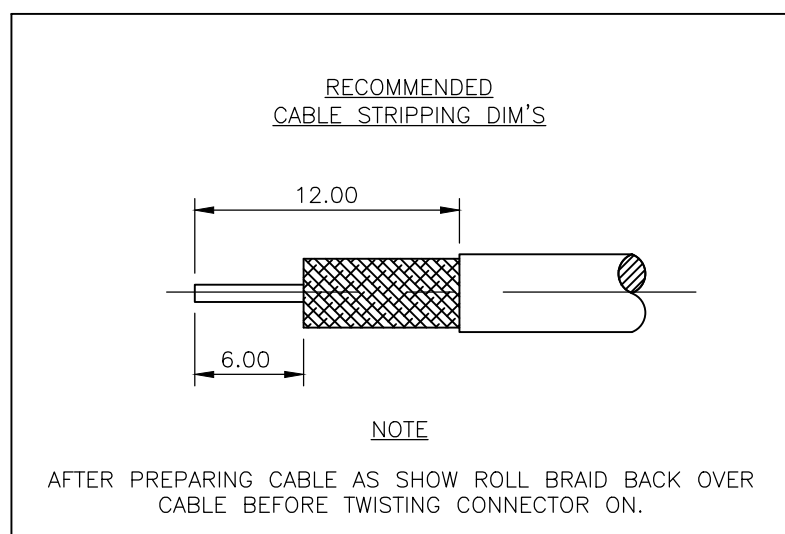
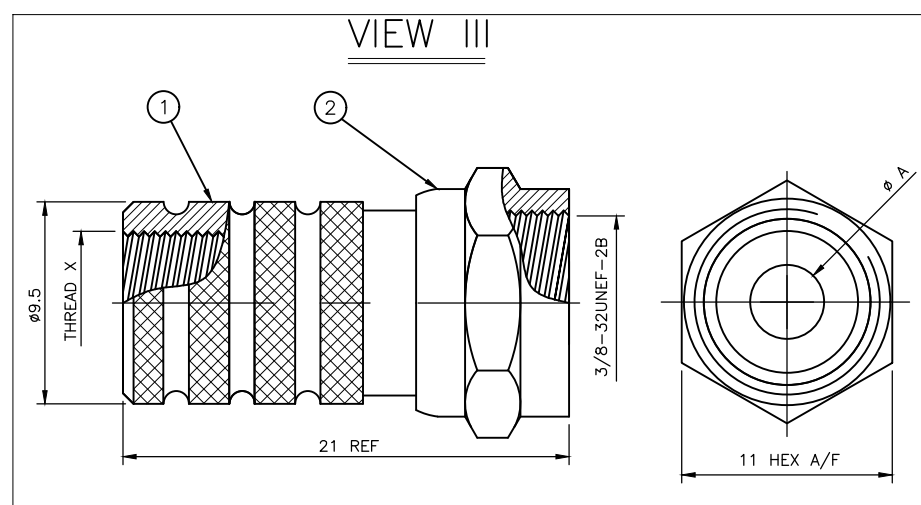
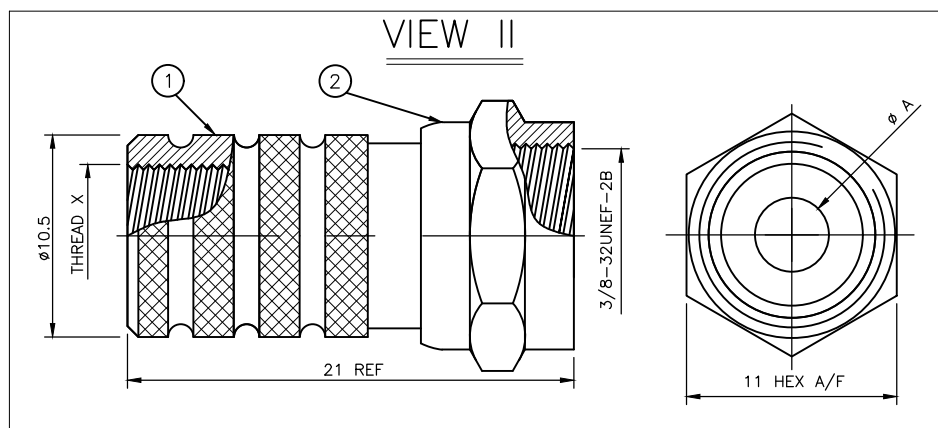
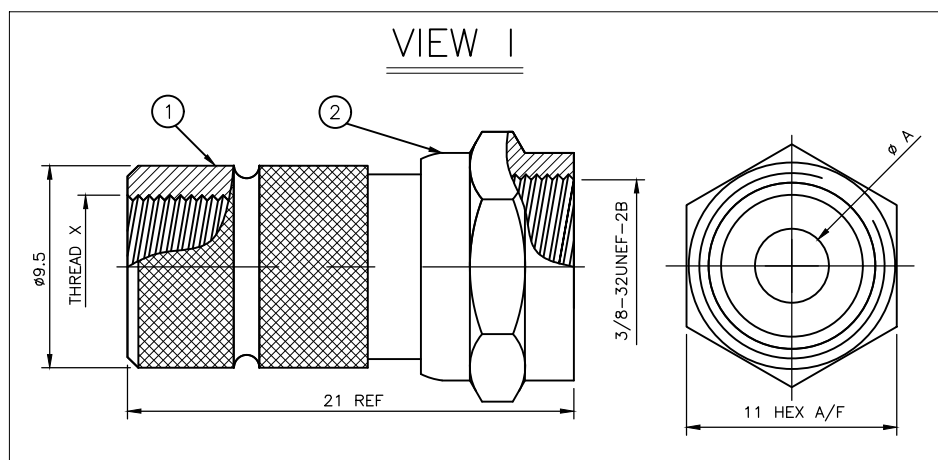
REVISIONS

| P | LTR | DESCRIPTION | DATE | DWN | APVD |
|---|-----|---------------------------|-----------|-----|------|
| | C2 | REVISED PER ECR-19-012794 | 18NOV2019 | RZ | RS |

NOTES

- 1 SINGLE PACK IN ACCORDANCE WITH AMP SPEC 107-3275
- 2 100 TRAY PACK IN ACCORDANCE WITH AMP SPEC 107-3275
- 3 Ni PLATING
- 4. FOR TECHNICAL DATA REFER TO YOUR LOCAL TE CONNECTIVITY SALES OFFICE
- 5. ALL DIMENSIONS ARE NOMINAL FOR REFERENCE ONLY UNLESS OTHERWISE STATED

| THREAD X | A | CABLE GROUPS | PART NO. |
|----------|--------------|--------------------|--|
| M8 | 5.60 | CT125 | 5-1814822-7 |
| OBSOLETE | M8 | 5.60 | CT125 |
| M7 | 4.90 | CT100 | 5-1814822-5 |
| OBSOLETE | M7 | 4.90 | CT100 |
| M9 | 4.90 | RG6/U (OD: 8.43mm) | 5-1814822-3 |
| OBSOLETE | M9 | 4.90 | RG6/U |
| OBSOLETE | 1/4-20UNC-2B | 3.90 | RG59B/U, 62A/U, 140/U, 210/U, URM90, Belden 9291, 9291, KX6A, KX25, KX52, KX53 |
| OBSOLETE | 1/4-20UNC-2B | 3.90 | RG59B/U, 62A/U, 140/U, 210/U, URM90, Belden 9291, 9291, KX6A, KX25, KX52, KX53 |



| | VIEW III | | VIEW II | | | VIEW I | | | | | |
|---|----------|----------|----------|----------|----------|----------|----------|------------|---|--------------|------|
| | OBSOLETE | OBSOLETE | OBSOLETE | OBSOLETE | OBSOLETE | OBSOLETE | OBSOLETE | | | | |
| 1 | 1 | 1 | 1 | 1 | 1 | 1 | 1 | ZINC ALLOY | △ | COUPLING NUT | 2 |
| 1 | 1 | 1 | 1 | 1 | 1 | 1 | 1 | BRASS | △ | BODY | 1 |
| 5 | 75 | 65 | 55 | 45 | 35 | 25 | 15 | MATERIAL | | DESCRIPTION | ITEM |
| | △ | △ | △ | △ | △ | △ | △ | | | | |

THIS DRAWING IS A CONTROLLED DOCUMENT.

DWN ANSON MA 14FEB09
CHK RITA ZUO 14FEB09
APVD BOB ZHAO 14FEB09

PRODUCT SPEC 108-112000
APPLICATION SPEC

STE TE Connectivity
F TYPE STR PLG T/O

SIZE CAGE CODE DRAWING NO RESTRICTED TO
A3 00779 C-1814822

WEIGHT 0.000000
CUSTOMER DRAWING SCALE NTS SHEET 1 OF 1 REV C2

X-ON Electronics

Largest Supplier of Electrical and Electronic Components

Click to view similar products for [RF Connectors / Coaxial Connectors](#) category:

Click to view products by [TE Connectivity](#) manufacturer:

Other Similar products are found below :

[8915-1511-000](#) [89674-0827](#) [6001-7071-019](#) [6002-7051-003](#) [6002-7551-202](#) [6059674-1](#) [619550-1](#) [630059-000](#) [M39030/3-01N](#) [6500-7071-046](#) [6769](#) [CX050L2AQ](#) [7002-1541-010](#) [7002-1542-011](#) [7004-1512-000](#) [7009-1511-004](#) [7010-1511-000](#) [7029-1511-060](#) [7101-1541-010](#) [7101-1571-002](#) [7105-1521-002](#) [7145-1521-002](#) [7203-1571-003](#) [7209-1511-011](#) [7210-1511-015](#) [7210-1511-019](#) [73137-5015](#) [73216-2241](#) [73404-2300](#) [7405-1521-005](#) [7405-1521-802](#) [8527](#) [8547](#) [FS11V](#) [877931](#) [9049-9513-000](#) [9074-9513-000](#) [9101-9573-002](#) [910A205F](#) [9130-9573-002](#) [PL11SC-026](#) [PL375-33](#) [PL40-5](#) [PL74C-221](#) [PL75MC-217](#) [PL803-7](#) [1200690078](#) [1-201144-1](#) [R107003010W](#) [R110A172100](#)