

THIS DRAWING IS UNPUBLISHED.

RELEASED FOR PUBLICATION JAN , 2007.

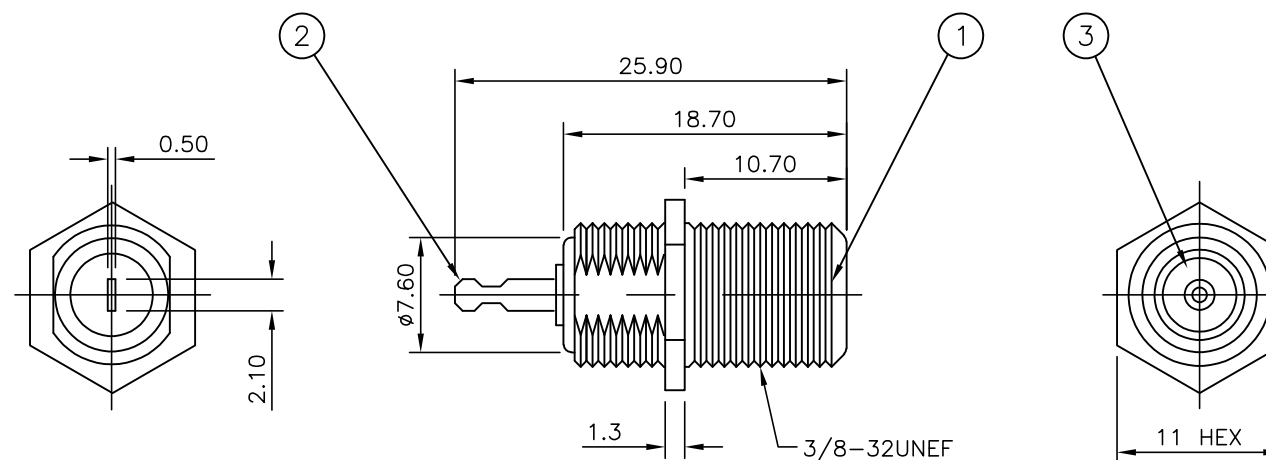
© COPYRIGHT 2007 By -

ALL RIGHTS RESERVED.

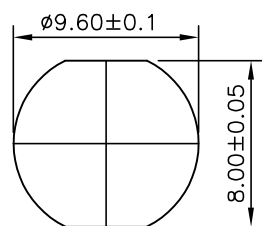
LOC	DIST	REVISIONS			
P	LTR	DESCRIPTION	DATE	DWN	APVD
E	B	C1	REVISED PER ECO-11-005033	01APR11	RK HMR
		D	REVISED PER ECO-11-021675	02NOV11	TITAN MARTIN

NOTES

- 1 SINGLE PACK IN ACCORDANCE WITH AMP SPEC 107-3275
- 2 50 TRAY PACK IN ACCORDANCE WITH AMP SPEC 107-3275
- 3 NICKEL PLATING
- 4 TIN PLATING
- 5 FOR TECHNICAL DATA REFER TO YOUR LOCAL TE CONNECTIVITY SALES OFFICE
- 6 ALL DIMENSIONS ARE NOMINAL FOR REFERENCE ONLY UNLESS OTHERWISE STATED



RECOMMENDED MOUNTING HOLE



QTY	UNIT	MATERIAL	DESCRIPTION	ITEM
1	1	POLYPROPYLENE	INSULATOR	3
1	1	PHOSPHOS BRONZE	CONTACT	2
1	1	ZINC ALLOY	BODY	1
5	15	MATERIAL	DESCRIPTION	ITEM

QUANTITY PER ASSY      PARTS LIST

THIS DRAWING IS A CONTROLLED DOCUMENT.		DWN ANSON MA 14FEB09	<b>STE</b> TE Connectivity			
DIMENSIONS: mm		CHK RITA ZUO 14FEB09				
TOLERANCES UNLESS OTHERWISE SPECIFIED:		APVD BOB ZHAO 14FEB09	F TYPE BULKHEAD SOCKET 75 OHMS			
0 PLC ± -		PRODUCT SPEC 108-112000				
1 PLC ± -		APPLICATION SPEC	SIZE	CAGE CODE	DRAWING NO	RESTRICTED TO
2 PLC ± -		—	—	A300779	C-1814823	—
3 PLC ± -		MATERIAL	WEIGHT	CUSTOMER DRAWING		SCALE
4 PLC ± -		FINISH	—	NTS	SHEET 1 OF 1	REV D
ANGLES ± -						

## X-ON Electronics

Largest Supplier of Electrical and Electronic Components

*Click to view similar products for [RF Connectors / Coaxial Connectors](#) category:*

*Click to view products by [TE Connectivity](#) manufacturer:*

Other Similar products are found below :

[8915-1511-000](#) [89674-0827](#) [6001-7071-019](#) [6002-7051-003](#) [6002-7551-202](#) [6059674-1](#) [619550-1](#) [630059-000](#) [M39030/3-01N](#) [6500-7071-046](#) [6769](#) [CX050L2AQ](#) [7002-1541-010](#) [7002-1542-011](#) [7004-1512-000](#) [7009-1511-004](#) [7010-1511-000](#) [7029-1511-060](#) [7101-1541-010](#) [7101-1571-002](#) [7145-1521-002](#) [7203-1571-003](#) [7209-1511-011](#) [7210-1511-015](#) [7210-1511-019](#) [73137-5015](#) [73216-2241](#) [73404-2300](#) [7405-1521-005](#) [7405-1521-802](#) [8527](#) [8547](#) [FS11V](#) [877931](#) [9049-9513-000](#) [9074-9513-000](#) [9101-9573-002](#) [910A205F](#) [9130-9573-002](#) [PL11SC-026](#) [PL375-33](#) [PL40-5](#) [PL74C-221](#) [PL75MC-217](#) [PL803-7](#) [980-8666-005](#) [1200690078](#) [1-201144-1](#) [R107003010W](#) [R110A172100](#)