

THIS DRAWING IS UNPUBLISHED.

RELEASED FOR PUBLICATION NOV. 2006.

© COPYRIGHT 2006 By -

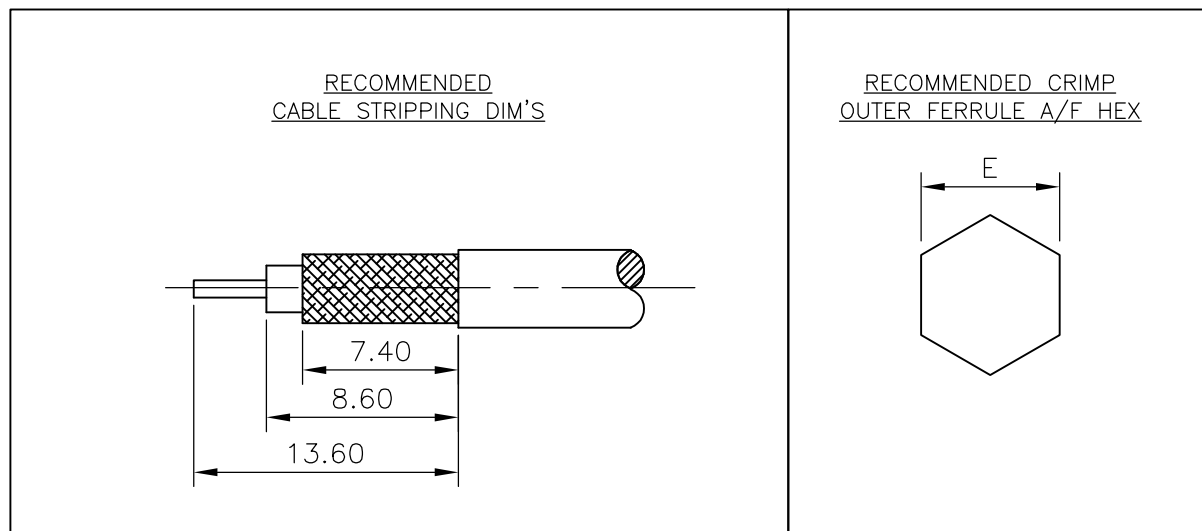
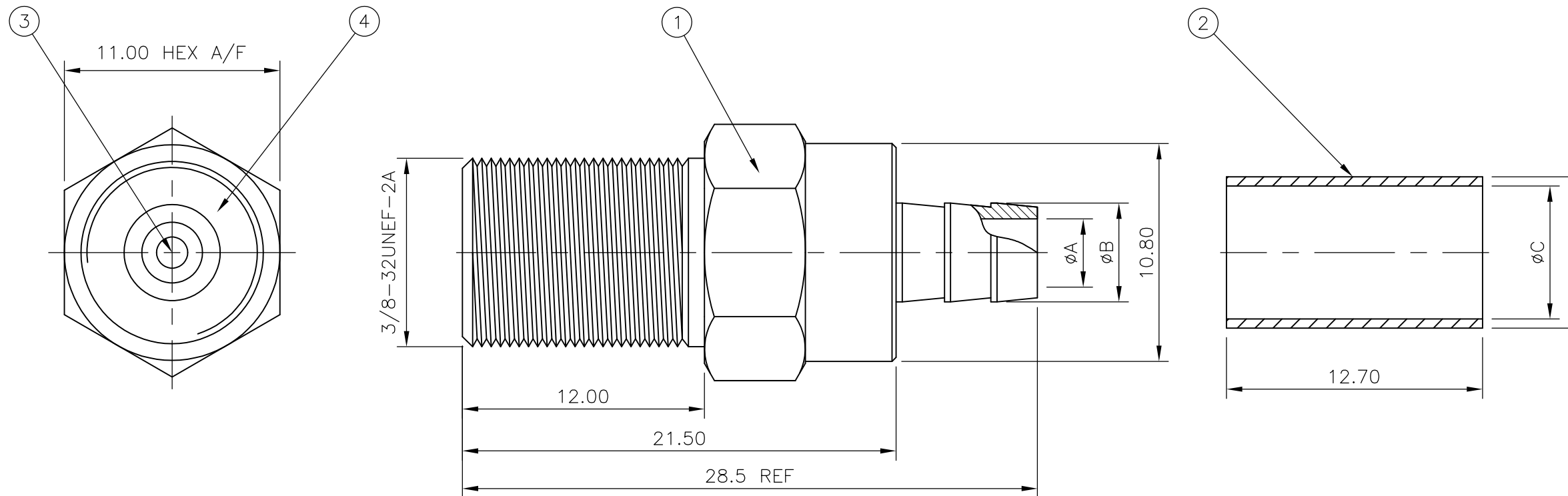
ALL RIGHTS RESERVED.

LOC	DIST	REVISIONS					
E	B	P	LTR	DESCRIPTION	DATE	DWN	APVD
		C		REVISED PER ECO-12-017394	16JAN13	GG	MY

NOTES

- 1 SINGLE PACK IN ACCORDANCE WITH AMP SPEC 107-3275
- 2 100 TRAY PACK IN ACCORDANCE WITH AMP SPEC 107-3275
- 3 Ni PLATING
- 4 TIN PLATING
- 5. FOR TECHNICAL DATA REFER TO YOUR LOCAL TE CONNECTIVITY SALES OFFICE
- 6. ALL DIMENSIONS ARE NOMINAL FOR REFERENCE ONLY UNLESS OTHERWISE STATED

OBSOLETE	9-1478243-0	8.30	9.30	8.30	7.00	5.70	CT125	5-1814826-7
	9-1478243-0	8.30	9.30	8.30	7.00	5.70	CT125	5-1814826-6
	9-1478242-0	6.50	7.50	6.70	5.60	4.60	CT100	5-1814826-5
	9-1478242-0	6.50	7.50	6.70	5.60	4.60	CT100	5-1814826-4
	9-1478243-0	8.60	9.60	8.70	6.80	4.85	RG6/U	5-1814826-3
	9-1478243-0	8.60	9.60	8.70	6.80	4.85	RG6/U	5-1814826-2
	9-1478242-0	6.50	7.50	6.80	4.90	3.90	RG59B/U, 62A/U, 140/U, 210/U, URM90, Belden 9291, 9291, KX6A, KX25, KX52, KX53	5-1814826-1
	9-1478242-0	6.50	7.50	6.60	4.90	3.90	RG59B/U, 62A/U, 140/U, 210/U, URM90, Belden 9291, 9291, KX6A, KX25, KX52, KX53	5-1814826-0
	DIE SET	E	D	C	B	A	CABLE GROUPS	PART NO.
	DIMENSIONS							



OBSOLETE												
1	1	1	1	1	1	1	1	1	1	POLYPROPYLENE	INSULATOR	4
1	1	1	1	1	1	1	1	1	1	BRASS	CONTACT	3
1	1	1	1	1	1	1	1	1	1	ZINC ALLOY	FERRULE	2
1	1	1	1	1	1	1	1	1	1	BRASS	BODY	1
5	75	65	55	45	35	25	15	0		MATERIAL	DESCRIPTION	ITEM
										QUANTITY PER ASSY		
										PARTS LIST		

THIS DRAWING IS A CONTROLLED DOCUMENT.

DIMENSIONS: mm	TOLERANCES UNLESS OTHERWISE SPECIFIED:	DWN ANSON MA 14FEB09	STE TE Connectivity				
	0 PLC ± - 1 PLC ± - 2 PLC ± 0.3 3 PLC ± - 4 PLC ± - ANGLES ± -	CHK RITA ZUO 14FEB09					
MATERIAL SEE TABLE	FINISH -	APVD BOB ZHAO 14FEB09	F TYPE BLK JK R/M				
		PRODUCT SPEC 108-112000					
		APPLICATION SPEC -	SIZE A3	CAGE CODE 00779	DRAWING NO C-1814826	RESTRICTED TO -	
		WEIGHT -	CUSTOMER DRAWING		SCALE NTS	SHEET 1 OF 1	REV C

X-ON Electronics

Largest Supplier of Electrical and Electronic Components

Click to view similar products for [RF Connectors](#) / [Coaxial Connectors](#) category:

Click to view products by [TE Connectivity](#) manufacturer:

Other Similar products are found below :

[8915-1511-000](#) [89674-0827](#) [6001-7071-019](#) [6002-7051-003](#) [6002-7551-202](#) [6059674-1](#) [619550-1](#) [630059-000](#) [M39030/3-01N](#) [6500-7071-046](#) [6769](#) [CX050L2AQ](#) [7002-1541-010](#) [7002-1542-011](#) [7004-1512-000](#) [7009-1511-004](#) [7010-1511-000](#) [7029-1511-060](#) [7101-1541-010](#) [7101-1571-002](#) [7145-1521-002](#) [7203-1571-003](#) [7209-1511-011](#) [7210-1511-015](#) [7210-1511-019](#) [73137-5015](#) [73216-2241](#) [73404-2300](#) [7405-1521-005](#) [7405-1521-802](#) [8527](#) [8547](#) [FS11V](#) [877931](#) [8808-1511-001](#) [9074-9513-000](#) [9101-9573-002](#) [910A205F](#) [9130-9573-002](#) [PL11SC-026](#) [PL375-33](#) [PL40-5](#) [PL74C-221](#) [PL75MC-217](#) [PL803-7](#) [1200690078](#) [1-201144-1](#) [R107003010W](#) [R110A172100](#) [R112186000](#)