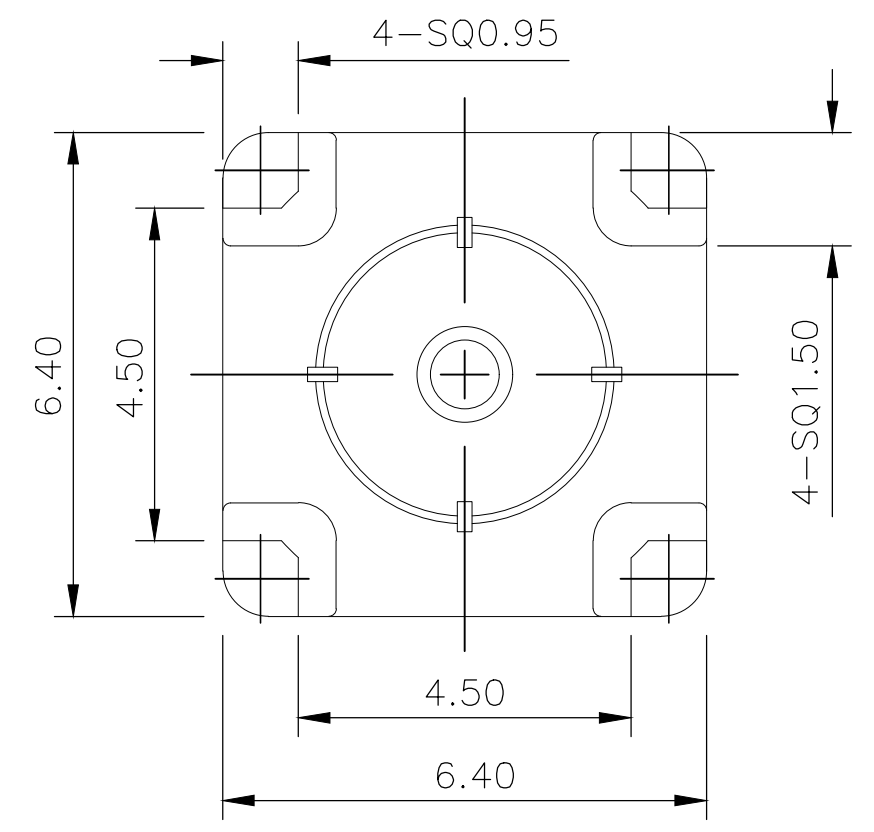
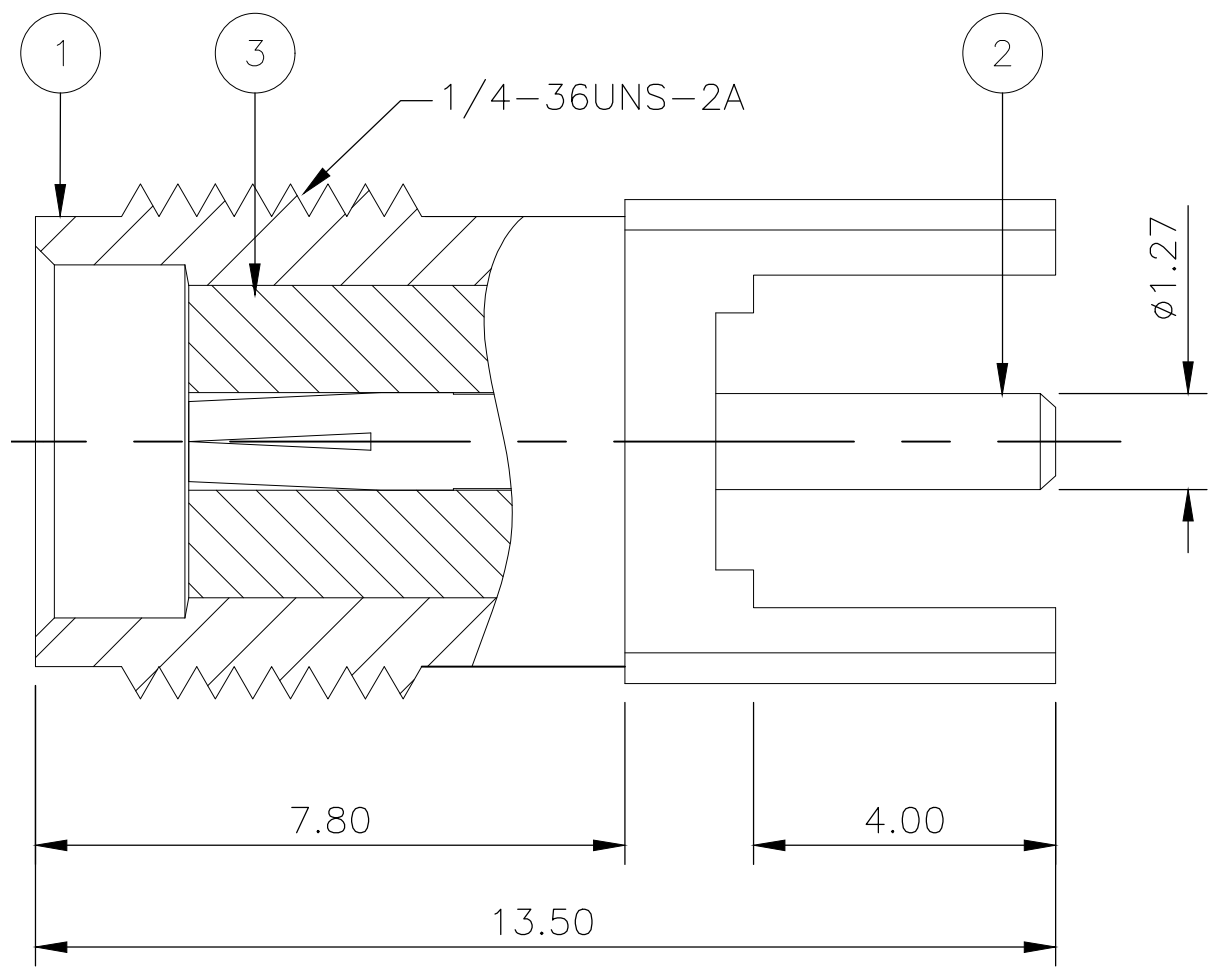
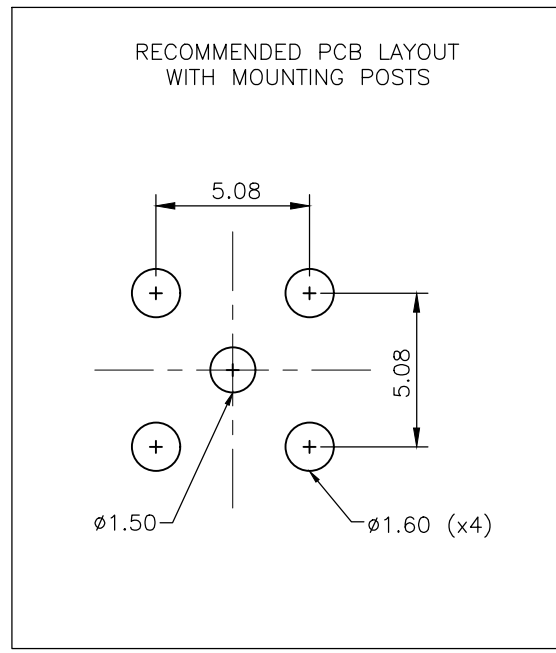


THIS DRAWING IS UNPUBLISHED. RELEASED FOR PUBLICATION JULY, 2006.
 © COPYRIGHT 2006 By - ALL RIGHTS RESERVED.

P	LTR	DESCRIPTION	DATE	DWN	APVD
	C	REVISED PER ECR-19-016112	05NOV2019	ED	RS

NOTES

- 1 SINGLE PACK IN ACCORDANCE WITH AMP SPEC 107-3275
- 2 100 TRAY PACK IN ACCORDANCE WITH AMP SPEC 107-3275
- 3 Au PLATING
- 4 TAPE AND REEL PACKAGING, 350/REEL X 4 = 1400 PER BOX, DETAIL PARKAGING INFORMATION IS IN PAGE 2



ELECTRICAL	MECHANICAL	ENVIRONMENTAL
Impedance (Ohm) <u>50</u>	Interface Dimension MIL-STD-348B Fig. <u>310-2</u>	TEMPERATURE RANGE <u>-65°C TO + 165°C</u>
Frequency Range (GHz) <u>DC to 6GHz</u>	Recommended Coupling Torque <u>7 to 10 In-Lbs</u>	THERMAL SHOCK <u>MIL-STD-202, METH.107, COND.B</u>
Voltage Rating (Peak) <u>335 V RMS</u> @ Sea Level	Force to Engage and Disengage (In/lbs) <u>2.0 MAX</u>	CORROSION <u>MIL-STD-202, METH.101, COND.B</u>
Insulation Resistance (MIN.) <u>1000 M ohms</u>	Center Contact Captivation Axial (Lbs) <u>3.0</u> Radial (In/Oz) <u>N/A</u>	VIBRATION <u>MIL-STD-202, METH.204, COND.B</u>
Contact Resistance (Milliohms MAX) Center Contact <u>3.0</u> Outer Contact <u>2.0</u>	Cable Retention Axial (Lbs) <u>N/A</u>	SHOCK <u>MIL-STD-202, METH.213, COND.I</u>
Dielectric Withstand Voltage: <u>1000 V RMS Max</u>	Mating cycles <u>500</u> cycles	MOISTURE RESISTANCE <u>MIL-STD-202, METH.106,</u>
Insertion Loss : <u>N/A dB</u>		ROHS <u>COMPLIANT</u>
VSWR: <u>1.3 MAX</u>		
RF leakage: <u>N/A</u>		
3rd Intermodulation: <u>N/A</u>		

QUANTITY PER ASSY		PARTS LIST	
1	1	PTFE	INSULATOR 3
1	1	BERYLLIUM COPPER	SOCKET 2
1	1	ZINC ALLOY	BODY 1
5	25	MATERIAL	DESCRIPTION ITEM

THIS DRAWING IS A CONTROLLED DOCUMENT.

DWN ANSON MA 19FEB09	TE Connectivity SMA STRAIGHT PCB SOCKET DIE CAST
CHK RITA ZUO 19FEB09	
APVD BOB ZHAO 19FEB09	
PRODUCT SPEC	
APPLICATION SPEC	108-112000
WEIGHT 0.000000	SIZE A3 CAGE CODE 00779 DRAWING NO C-1814832 RESTRICTED TO -
CUSTOMER DRAWING	SCALE NTS SHEET 1 OF 2 REV C

THIS DRAWING IS UNPUBLISHED.

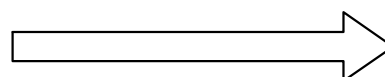
RELEASED FOR PUBLICATION , JULY 2006

REVISIONS

© COPYRIGHT 2006 By -

ALL RIGHTS RESERVED.

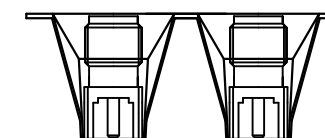
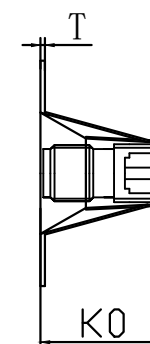
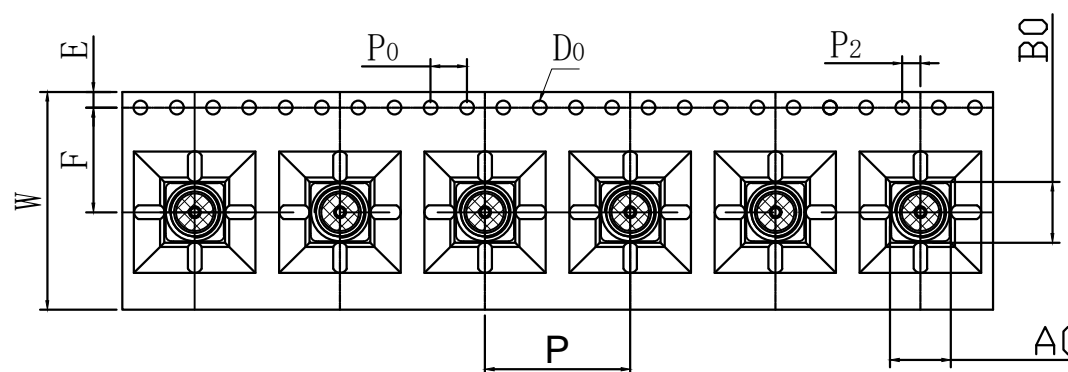
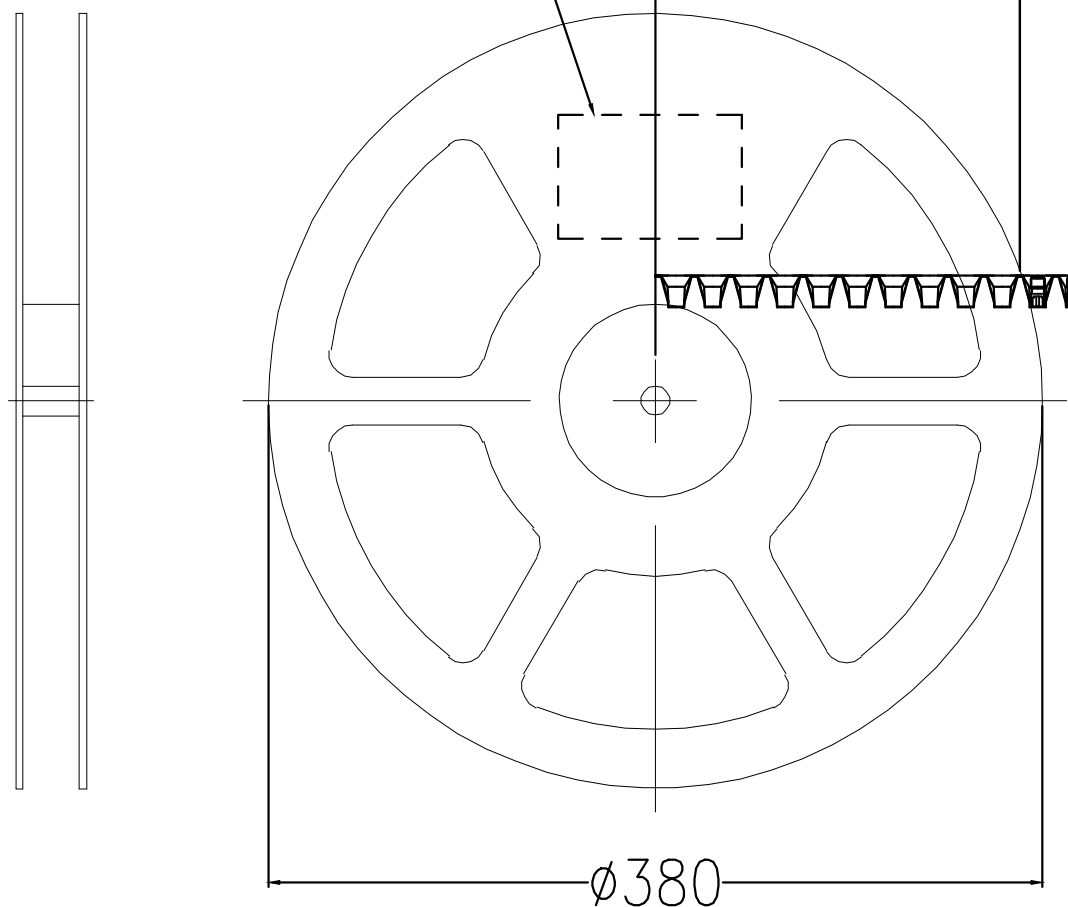
P	LTR	DESCRIPTION	DATE	DWN	APVD
-	-	SEE SHEET 1	-	-	-



Direction of loading and discharging

LABEL

BLANK 10PLCS 350 PCS BLANK 10 PLCS



symbol	AO	BO	KO	PO	P	P2
Spec	6.70±0.10	6.70±0.10	13.80±0.10	4.00±0.10	16.0±0.10	2.00±0.10
symbol	W	T	E	F	DO	
Spec	24.0±0.30	0.50 ^{+0.05} _{-0.00}	1.75±0.10	14.2±0.10	1.50±0.10	

THIS DRAWING IS A CONTROLLED DOCUMENT.		DWN ANSON MA 19FEB09	TE Connectivity														
DIMENSIONS: mm		CHK RITA ZUO 19FEB09															
TOLERANCES UNLESS OTHERWISE SPECIFIED:		APVD BOB ZHAO 19FEB09	NAME														
<table border="0"> <tr><td>0 PLC</td><td>± -</td></tr> <tr><td>1 PLC</td><td>± -</td></tr> <tr><td>2 PLC</td><td>± 0.1</td></tr> <tr><td>3 PLC</td><td>± -</td></tr> <tr><td>4 PLC</td><td>± -</td></tr> <tr><td>ANGLES</td><td>± -</td></tr> </table>		0 PLC	± -	1 PLC	± -	2 PLC	± 0.1	3 PLC	± -	4 PLC	± -	ANGLES	± -	PRODUCT SPEC	SMA STRAIGHT PCB SOCKET DIE CAST		
0 PLC	± -																
1 PLC	± -																
2 PLC	± 0.1																
3 PLC	± -																
4 PLC	± -																
ANGLES	± -																
MATERIAL SEE TABLE		FINISH -	APPLICATION SPEC														
		108-112000	SIZE	CAGE CODE	DRAWING NO												
		WEIGHT 0.000000	A3	00779	C-1814832												
		CUSTOMER DRAWING	SCALE NTS	SHEET 2 OF 2	REV C												

X-ON Electronics

Largest Supplier of Electrical and Electronic Components

Click to view similar products for [RF Connectors / Coaxial Connectors](#) category:

Click to view products by [TE Connectivity](#) manufacturer:

Other Similar products are found below :

[8915-1511-000](#) [89674-0827](#) [6001-7071-019](#) [6002-7051-003](#) [6002-7551-202](#) [6059674-1](#) [619550-1](#) [630059-000](#) [M39030/3-01N](#) [6500-7071-046](#) [6769](#) [CX050L2AQ](#) [7002-1541-010](#) [7002-1542-011](#) [7004-1512-000](#) [7009-1511-004](#) [7010-1511-000](#) [7029-1511-060](#) [7101-1541-010](#) [7101-1571-002](#) [7145-1521-002](#) [7203-1571-003](#) [7209-1511-011](#) [7210-1511-015](#) [7210-1511-019](#) [73137-5015](#) [73216-2241](#) [73404-2300](#) [7405-1521-005](#) [7405-1521-802](#) [8527](#) [8547](#) [FS11V](#) [877931](#) [8808-1511-001](#) [9074-9513-000](#) [9101-9573-002](#) [910A205F](#) [9130-9573-002](#) [PL11SC-026](#) [PL375-33](#) [PL40-5](#) [PL74C-221](#) [PL75MC-217](#) [PL803-7](#) [1200690078](#) [1-201144-1](#) [R107003010W](#) [R110A172100](#) [R112186000](#)