

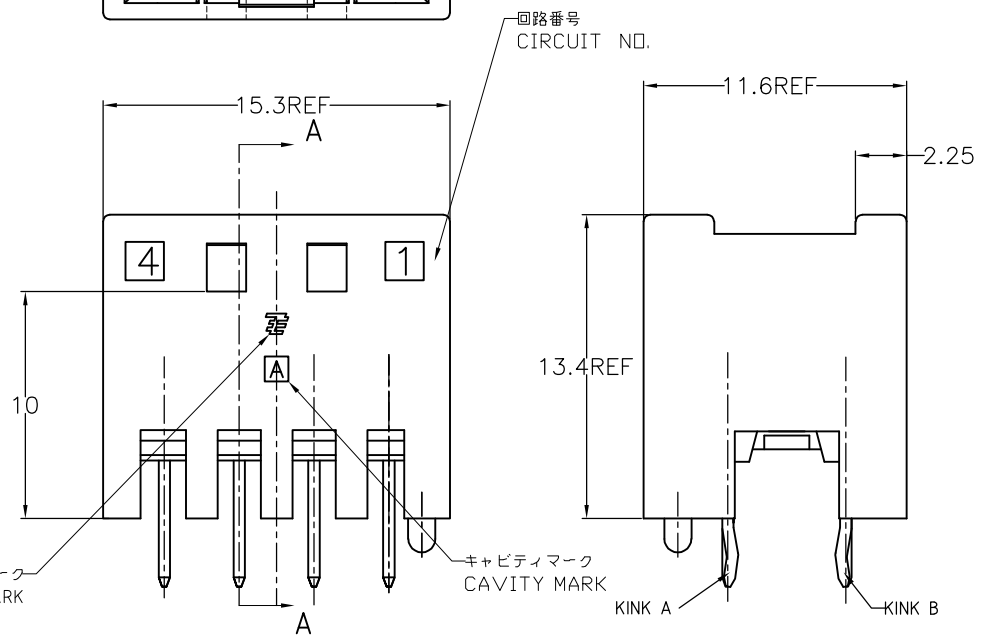
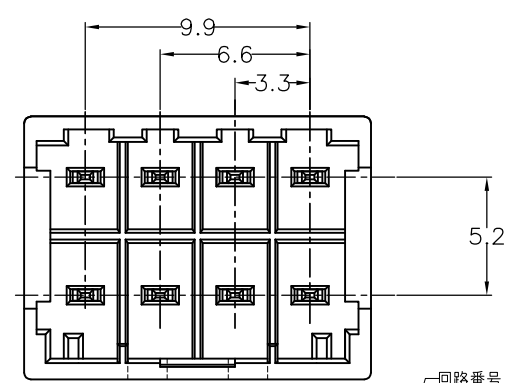
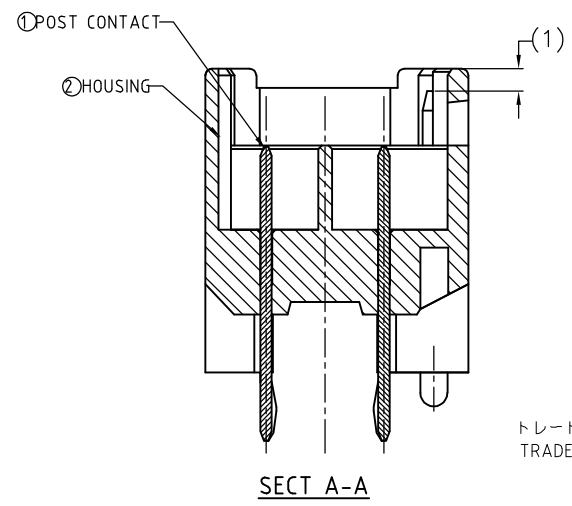
THIS DRAWING IS UNPUBLISHED. RELEASED FOR PUBLICATION  
 © COPYRIGHT BY TYCO ELECTRONICS CORPORATION. ALL RIGHTS RESERVED.

LOC	DIST	REVISIONS 変更			
P	LTR	DESCRIPTION	DATE	DWN	APVD
	E1	REVISED PER ECR-10-019980	04OCT10	HMR	TM

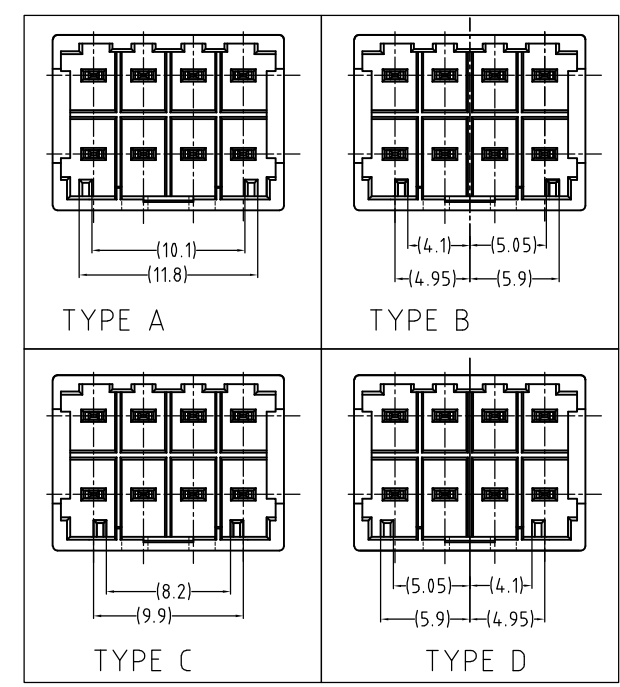
TABLE

②	ヘッダーハウジング (HEADER HOUSING)	6/6ナイロンガラス強化 (6/6 NYLON GRASS FILLED)
①	ポストコンタクト (POST CONTACT)	錫めっき仕上げ 銅合金 (COPPER ALLOY TIN PLATED)
NO.	名称 (NAME)	材料 (MATERIAL)

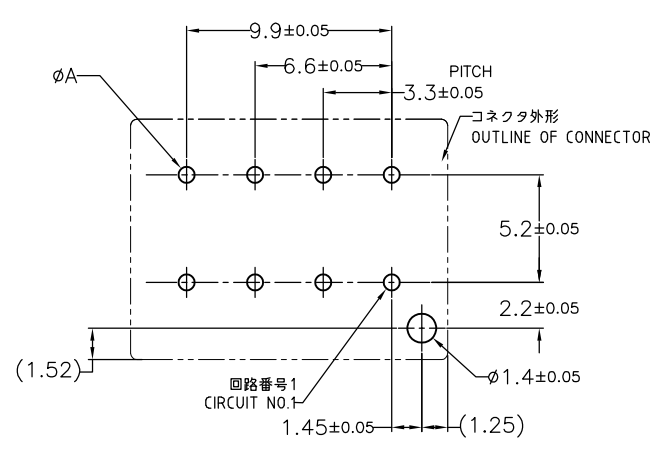
- 注)  
 1. 取付穴寸法  
 2. 適応基板厚: 1.6t  
 3. かん合相手製品型番:  
 プラグハウジング: SEE TABLE
- NOTES)  
 1. RECOMMENDED P.C.B LAY OUT  
 2. APPLICABLE P.C.B. THICKNESS:1.6  
 3. MATING CONN. P/N  
 PLUG HOUSING :SEE TABLE



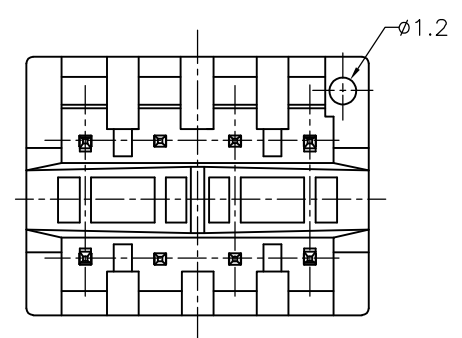
TYPE OF KEYING



PCB. LAYOUT ON RECOMMENDATION



パンチ加工 (PUNCHED HOLE)	0.7 <sup>+0.1</sup> <sub>-0</sub>
ドリル加工 (DRILLED HOLE)	0.8 ±0.05
	A 寸法 DIM. A



*-1827387-3	WITHOUT	TYPE C	BLUE	7-1827393-3
*-1827387-1	WITHOUT	TYPE A	NATURAL	5-1827393-1
*-1827387-3	WITH	TYPE C	BLUE	2-1827393-3
*-1827387-1	WITH	TYPE A	NATURAL	1827393-1
MATING CONN. P/N	KINK	TYPE OF KEYING	COLOR	PART NUMBER

KINK FORM

× CHARACTER S IS STRAIGHT PIN.

8 POS	KINK FORM	B	S	S	B
	CIRCUIT NO.	5	6	7	8
	KINK FORM	A	S	S	A
	CIRCUIT NO.	1	2	3	4

THIS DRAWING IS A CONTROLLED DOCUMENT.

DIMENSIONS: 単位: 耗 mm	TOLERANCES UNLESS OTHERWISE SPECIFIED: 一般公差	DWN T.HATANO 19APR2005	Tyco Electronics AMP K.K. Kawasaki, Japan
	0 PLC ± 0.3	CHK N.YAMASAKI 19APR2005	
	1 PLC ± 0.3	APVD N.YAMASAKI 19APR2005	
	2 PLC ± 0.25	NAME N.YAMASAKI	
MATERIAL 材料 SEE TABLE	3 PLC ± -	PRODUCT SPEC 製品規格 108-78231	GRACE INERTIA CONNECTOR 3.3 HEADER ASSEMBLY 8POS
	4 PLC ± -	APPLICATION SPEC 取付適用規格	RESTRICTED TO
FINISH 仕上	± -	WEIGHT -	SIZE A3
		CUSTOMER DRAWING	CAGE CODE 00779
			DRAWING NO 番号 1827393
			SCALE 尺度 3:1
			SHEET 1 OF 1
			REV E1

## X-ON Electronics

Largest Supplier of Electrical and Electronic Components

*Click to view similar products for [Headers & Wire Housings](#) category:*

*Click to view products by [TE Connectivity](#) manufacturer:*

Other Similar products are found below :

[892-18-020-10-001101](#) [58102-G61-06LF](#) [582553-1](#) [0009485154](#) [009176003701906](#) [0050291907](#) [LY20-4P-DT1-P1E-BR](#) [02.125.8002.8](#)  
[609-3404](#) [61062-3](#) [61082-181009](#) [622-3653LF](#) [63453-116](#) [636-1030](#) [636-1427](#) [636-3427](#) [636-4007](#) [641938-9](#) [641991-4](#) [644827-2](#) [65817-](#)  
[010LF](#) [65817-015LF](#) [65863-015LF](#) [66207-023LF](#) [67095-007LF](#) [67601157](#) [68645-018](#) [68648-049](#) [70.362.1628.0](#) [70-4210](#) [70-4226B](#) [70-](#)  
[4853B](#) [707-5020](#) [707-5028](#) [71.350.2428.0](#) [71918-208LF](#) [71961-016LF](#) [733-134](#) [733-162](#) [754199-000](#) [760-3052](#) [787-8014-00](#) [79531-3000](#)  
[FCN-360C032-B](#) [FCN-367T-T012/H](#) [FCN-723D010/2](#) [80.063.4001.1](#) [800-90-001-10-001000](#) [800-90-010-10-002000](#) [801-43-002-10-013000](#)