

THIS DRAWING IS UNPUBLISHED. RELEASED FOR PUBLICATION SEP ,2005.
 © COPYRIGHT 2005 By - ALL RIGHTS RESERVED.

LOC	DIST	REVISIONS					
-	/	P	LTR	DESCRIPTION	DATE	DWN	APVD
			S3	REVISED PER ECR-19-012872	11NOV2015	T.Z	H.W

- 1 CONTACT COPLANALITY IS 0.1 MAX.
- 2 THIS DIMENSION MEANS CENTER OF THE POCKET.
- 3 M3 TAPPING + BVTP RECOMMENDED TORQUE: 68.6N (7KgF) MAX.
- 4 FINISH
CONTACT: V μm MIN. Au PL. ON CONTACT AREA (V: SEE TABLE)
0.03~0.1 μm Au PL. ON TERMINAL AREA
Ni UNDER PL. ALL OVER
SHELL: Sn PL. (MATTE) ALL OVER
Ni UNDER PL. ALL OVER
- 5 SCREW SIZE
- 6 QTY PRINT ON THE LABEL. (EMBOSS PACKING)

- 1 コンタクトコプラナリティーは 0.1 以下。
- 2 本寸法はポケットの中心を表す。
- 3 M3 TAPPING + BVTP 推奨トルク: 68.6N (7KgF) 以下。
- 4 仕上
コンタクト: コンタクトエリアに V μm 以上の 金めっき (V: 表参照)
ターミナルエリアに 0.03~0.1 μm の金めっき
ニッケル下地めっきを施す
シェル: すずめっき (つや消し)
ニッケル下地めっきを施す
- 5 スクリューサイズ
- 6 数量はラベルに印字される (EMBOSS 梱包)

0.3	-	70	1.9	-	-	-	-	33.5	37.5	9.32	0.4	32	28.4	14.2	16	WITHOUT TAPE	WITHOUT FLANGE	THROUGH HOLE	(SEE SHEET 2)	SOFT TRAY (SEE SHEET 11)	6-1903015-3
0.76	M3 x 0.5	70	1.9	46	138	6-23	46	-	-	-	-	-	-	-	-	WITH TAPE	WITH FLANGE	THROUGH HOLE	(SEE SHEET 3)	SOFT TRAY (SEE SHEET 7)	9-1903015-4
-0.3	M3 x 0.5	200	1.9	-	-	-	-	45.5	49.5	18.3	0.5	44	40.4	20.2	20	WITH TAPE	WITH FLANGE	THROUGH HOLE	(SEE SHEET 3)	EMBOSS (SEE SHEET 6)	9-1903015-3
0.3	M3 x 0.5	70	1.9	-	-	-	-	-	-	-	-	-	-	-	-	WITHOUT TAPE	WITH FLANGE	THROUGH HOLE	(SEE SHEET 3)	SOFT TRAY (SEE SHEET 10)	8-1903015-4
-0.1	-	550	1.9	-	-	-	-	33.5	37.5	9.32	0.4	32	28.4	14.2	16	WITHOUT TAPE	WITHOUT FLANGE	THROUGH HOLE	(SEE SHEET 2)	EMBOSS (SEE SHEET 6)	7-1903015-1
-0.3	M3 x 0.5	200	1.9	-	-	-	-	45.5	49.5	18.3	0.5	44	40.4	20.2	20	WITHOUT TAPE	WITH FLANGE	FULL SMT	(SEE SHEET 5)	EMBOSS (SEE SHEET 6)	5-1903015-9
0.3	-	550	0.8	-	-	-	-	33.5	37.5	9.32	0.4	32	28.4	14.2	16	WITHOUT TAPE	WITHOUT FLANGE	THROUGH HOLE	(SEE SHEET 3)	EMBOSS (SEE SHEET 6)	5-1903015-5
0.3	M3 x 0.5	70	1.9	46	138	6-23	46	-	-	-	-	-	-	-	-	WITHOUT TAPE	WITH FLANGE	THROUGH HOLE	(SEE SHEET 3)	SOFT TRAY (SEE SHEET 7)	5-1903015-4
-0.3	M3 x 0.5	200	1.9	-	-	-	-	45.5	49.5	18.3	0.5	44	40.4	20.2	20	WITHOUT TAPE	WITH FLANGE	THROUGH HOLE	(SEE SHEET 3)	EMBOSS (SEE SHEET 6)	5-1903015-3
-0.3	3 ∅2.65±0.3	70	1.9	46	138	6-23	46	-	-	-	-	-	-	-	-	WITHOUT TAPE	WITH FLANGE	THROUGH HOLE	(SEE SHEET 3)	SOFT TRAY (SEE SHEET 7)	5-1903015-2
0.3	-	400	1.9	-	-	-	-	33.5	37.5	9.32	0.4	32	28.4	14.2	16	WITHOUT TAPE	WITHOUT FLANGE	THROUGH HOLE	(SEE SHEET 2)	EMBOSS (SEE SHEET 6)	5-1903015-1
-0.3	M3 x 0.5	70	1.0	46	138	6-23	46	-	-	-	-	-	-	-	-	WITHOUT TAPE	WITH FLANGE	THROUGH HOLE	(SEE SHEET 3)	SOFT TRAY (SEE SHEET 7)	4-1903015-1
-0.76	-	400	1.2	-	-	-	-	33.5	37.5	9.32	0.4	32	28.4	14.2	16	WITHOUT TAPE	WITHOUT FLANGE	THROUGH HOLE	(SEE SHEET 2)	EMBOSS (SEE SHEET 6)	2-1903015-2
0.76	M3 x 0.5	70	1.9	-	-	-	-	-	-	-	-	-	-	-	-	WITHOUT TAPE	WITH FLANGE	THROUGH HOLE	(SEE SHEET 3)	SOFT TRAY (SEE SHEET 9)	1903015-8
0.76	3 ∅2.65±0.3	70	1.9	-	-	-	-	-	-	-	-	-	-	-	-	WITHOUT TAPE	WITH FLANGE	THROUGH HOLE	(SEE SHEET 3)	SOFT TRAY (SEE SHEET 9)	1903015-7
-0.76	M3 x 0.5	50	1.9	54.4	120	4-30	54.4	-	-	-	-	-	-	-	-	WITHOUT TAPE	WITH FLANGE	THROUGH HOLE	(SEE SHEET 3)	SOFT TRAY (SEE SHEET 9)	1903015-5
0.76	M3 x 0.5	70	1.9	46	138	6-23	46	-	-	-	-	-	-	-	-	WITHOUT TAPE	WITH FLANGE	THROUGH HOLE	(SEE SHEET 4)	SOFT TRAY (SEE SHEET 8)	1903015-4
0.76	M3 x 0.5	200	1.9	-	-	-	-	45.5	49.5	18.3	0.5	44	40.4	20.2	20	WITHOUT TAPE	WITH FLANGE	THROUGH HOLE	(SEE SHEET 4)	EMBOSS (SEE SHEET 6)	1903015-3
0.76	3 ∅2.65±0.3	70	1.9	46	138	6-23	46	-	-	-	-	-	-	-	-	WITHOUT TAPE	WITH FLANGE	THROUGH HOLE	(SEE SHEET 3)	SOFT TRAY (SEE SHEET 7)	1903015-2
0.76	-	400	1.9	-	-	-	-	33.5	37.5	9.32	0.4	32	28.4	14.2	16	WITHOUT TAPE	WITHOUT FLANGE	THROUGH HOLE	(SEE SHEET 2)	EMBOSS (SEE SHEET 6)	1903015-1
V	U	T	AA	S	R	P	N	M	L	K	J	H	G	F	E	POLYIMIDE TAPE	FLANGE	SHELL TYPE	CONNECTOR	PACKING	PART NUMBER

4 Au PL. 5 SCREW SIZE QTY DIMENSION PART LIST

THIS DRAWING IS A CONTROLLED DOCUMENT.

DIMENSIONS: 単位: 概 mm

TOLERANCES UNLESS OTHERWISE SPECIFIED: 一般公差

0 PLC	±
1 PLC	±
2 PLC	±
3 PLC	±
4 PLC	±
ANGLES	±
FINISH 仕上	

MATERIAL 材料

DWN R.MURAYAMA 26SEP2005

CHK T.KIMURA 26SEP2005

APVD T.KIMURA 26SEP2005

PRODUCT SPEC 製品規格 108-78180-2

APPLICATION SPEC 取付適用規格

WEIGHT

CUSTOMER DRAWING

SCALE 尺度 4:1 SHEET 1 OF 12 REV S3

TE Connectivity

HDMI 19 POS RECEPTACLE ASSY SMT SHORT TYPE

SIZE A3 CAGE CODE 00779 DRAWING NO 番号 1903015 RESTRICTED TO

4

3

2

1

THIS DRAWING IS UNPUBLISHED.

RELEASED FOR PUBLICATION

SEP , 2005.

© COPYRIGHT 2005 By -

ALL RIGHTS RESERVED.

LOC DIST

REVISIONS

变更

DESCRIPTION

DATE

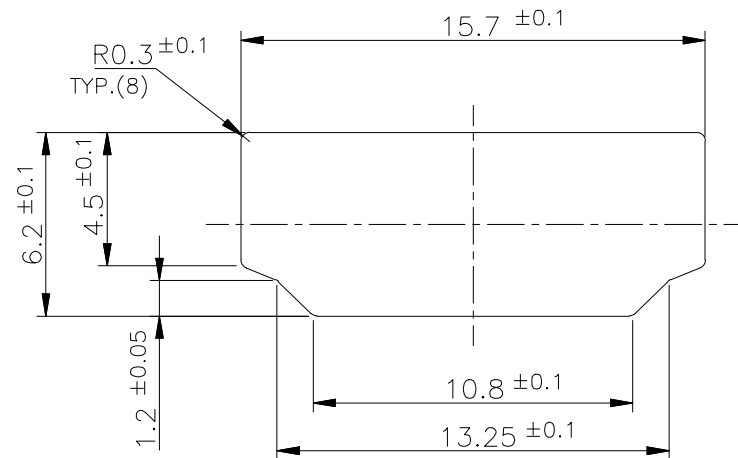
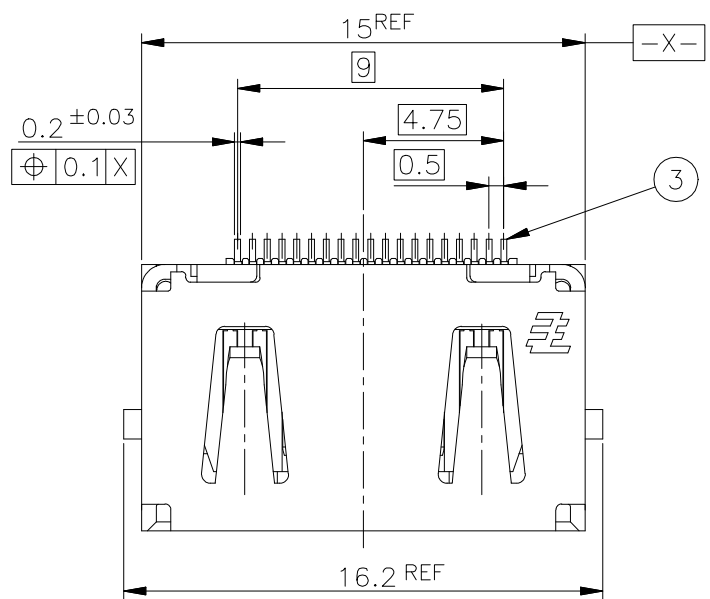
DWN

APVD

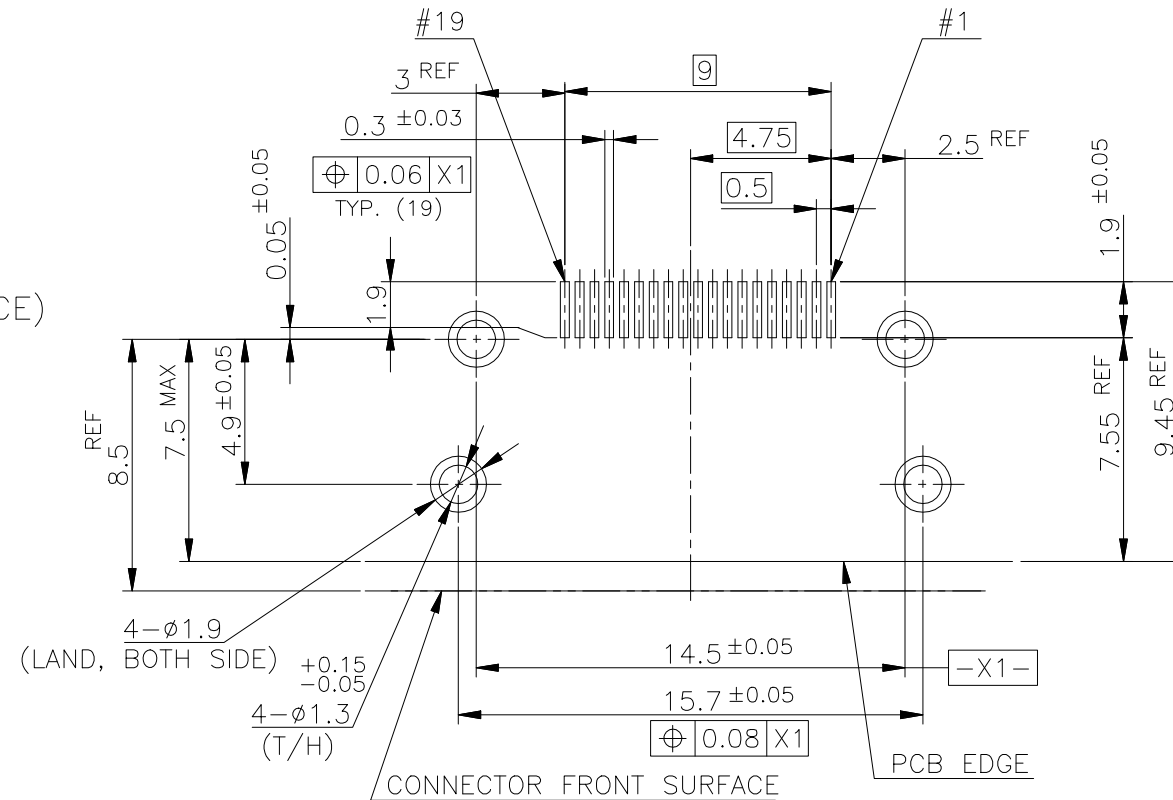
SEE SHEET 1

D

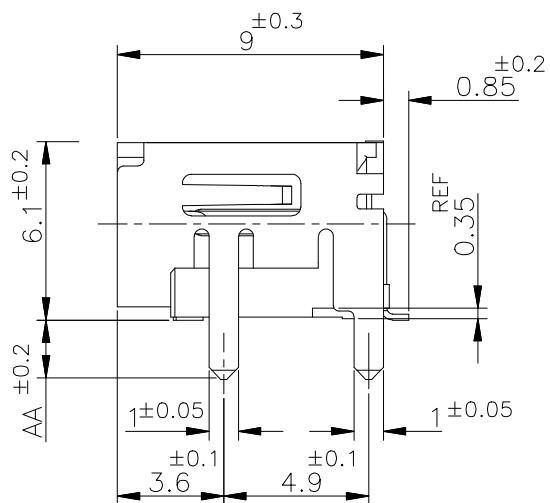
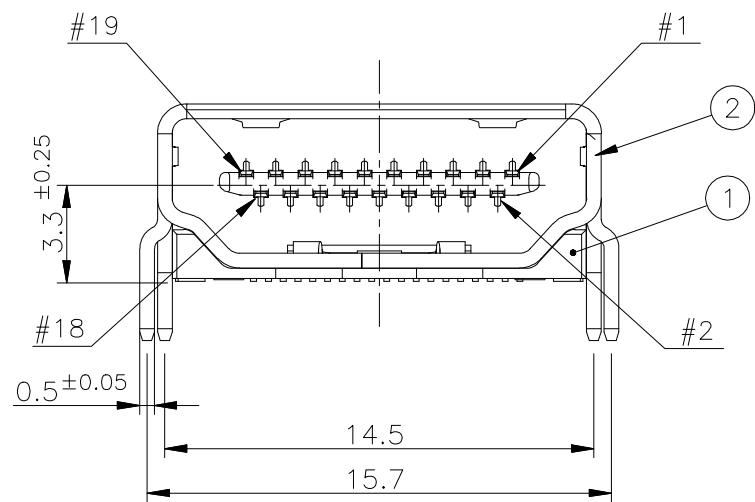
D



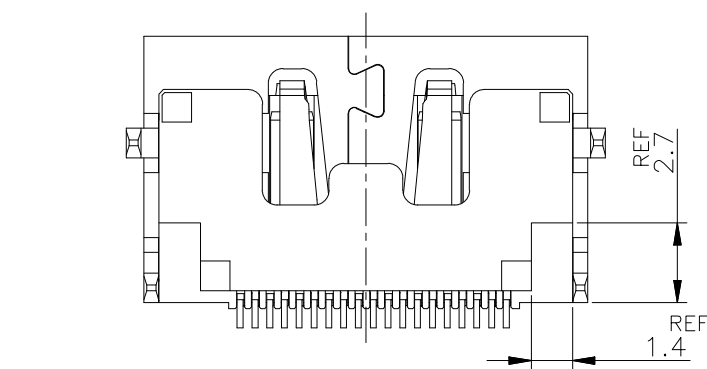
PANEL CUT OUT DIMENSION (REFERENCE)



P.C.B LAYOUT (REFERENCE)
SHOWN AS CONNECTOR MOUNTING SIDE
TOLERANCE: NON-CUMULATIVE



CONNECTOR: WITHOUT FLANGE THROUGH HOLE TYPE



BRASS	CONTACT	3
PHOSPHOR BRONZE	SHELL	2
GLASS FILLED LCP UL94V-0, BLACK COLOR	HOUSING	1
MATERIAL	DESCRIPTION	ITEM

THIS DRAWING IS A CONTROLLED DOCUMENT.		DWN	
DIMENSIONS: 单位: 毫 mm		CHK	
TOLERANCES UNLESS OTHERWISE SPECIFIED: 一般公差		APVD	
0 PLC ±		PRODUCT SPEC 製品规格	
1 PLC ±		APPLICATION SPEC 取付適用规格	
2 PLC ±		WEIGHT	
3 PLC ±		CUSTOMER DRAWING	
4 PLC ±			
ANGLES ±			
FINISH 仕上			
MATERIAL 材料			

TE TE Connectivity

HDMI 19 POS RECEPTACLE ASSY
SMT SHORT TYPE

SIZE	CAGE CODE	DRAWING NO 番号	RESTRICTED TO
A3	00779	C-1903015	-

SCALE 4:1 SHEET 2 OF 12 REV S3

THIS DRAWING IS UNPUBLISHED.

RELEASED FOR PUBLICATION

SEP ,2005.

© COPYRIGHT 2005 By -

ALL RIGHTS RESERVED.

LOC	DIST	P	LTR	REVISIONS	DATE	DWN	APVD
-	-	-	-	变更	-	-	-
				DESCRIPTION			
				SEE SHEET 1			

REVISIONS

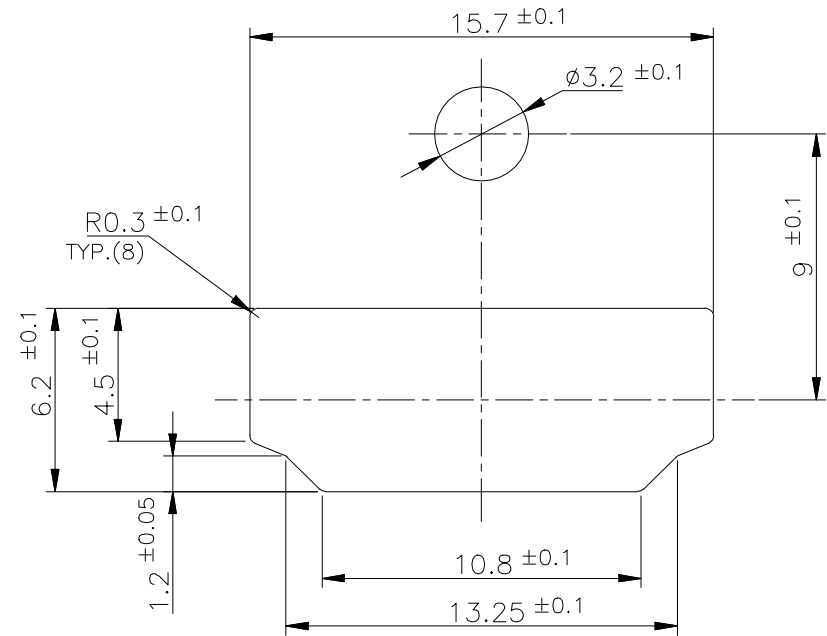
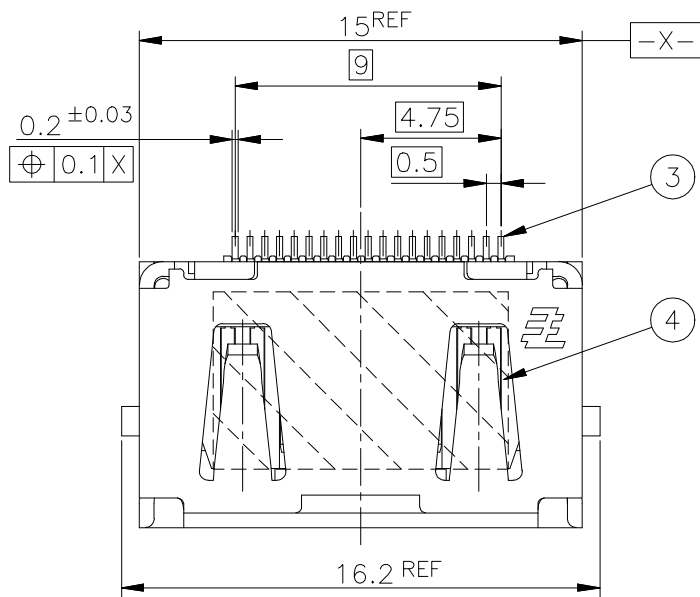
变更

DESCRIPTION

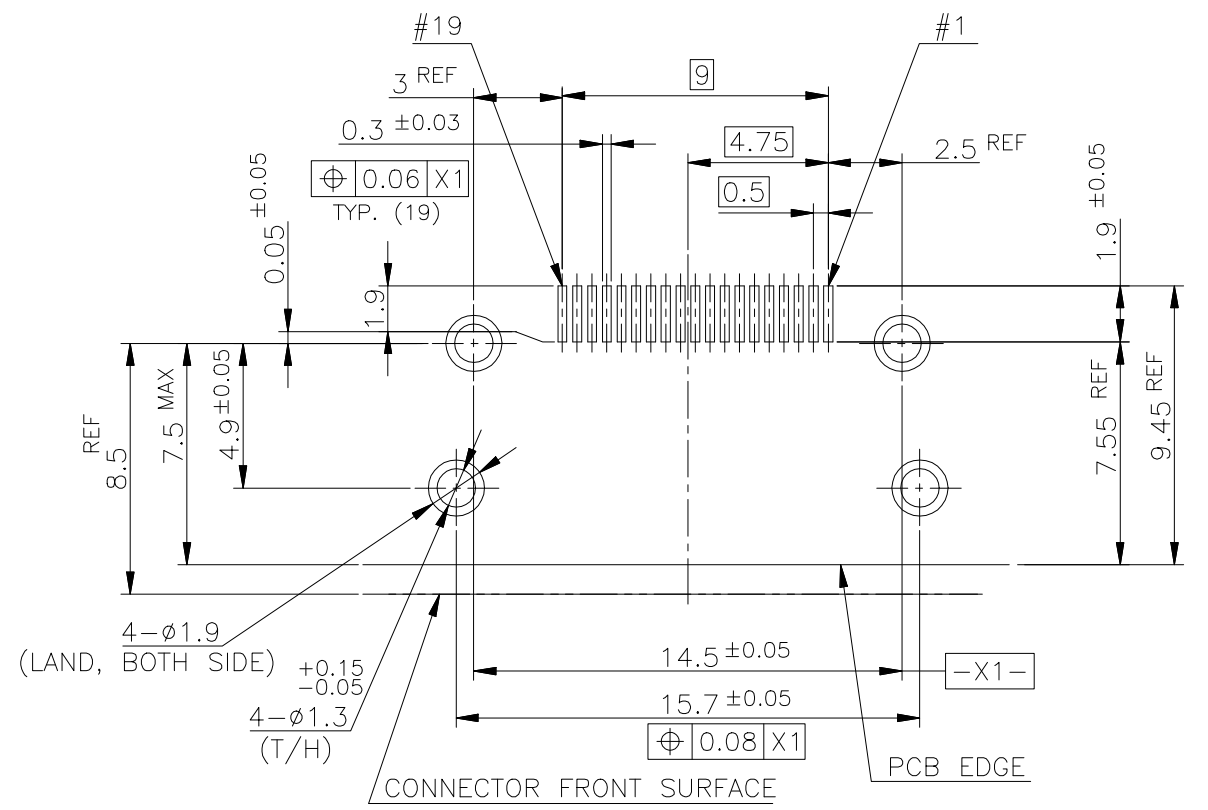
DATE

DWN

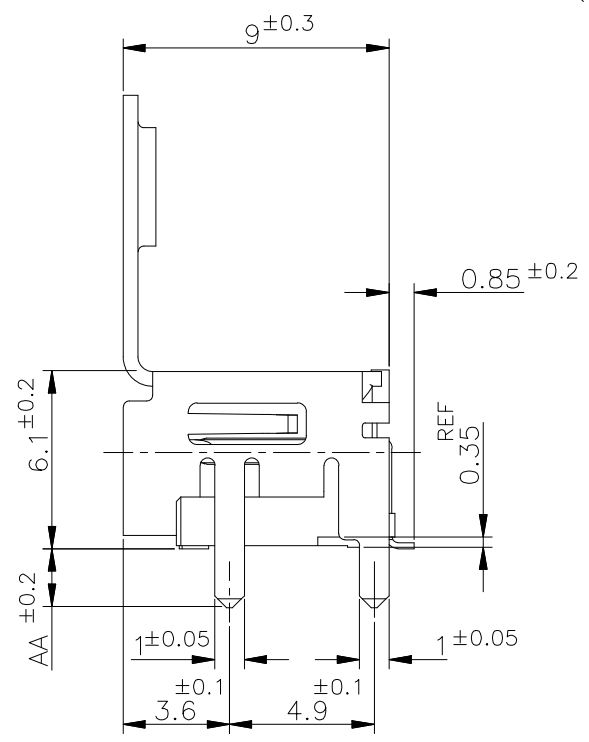
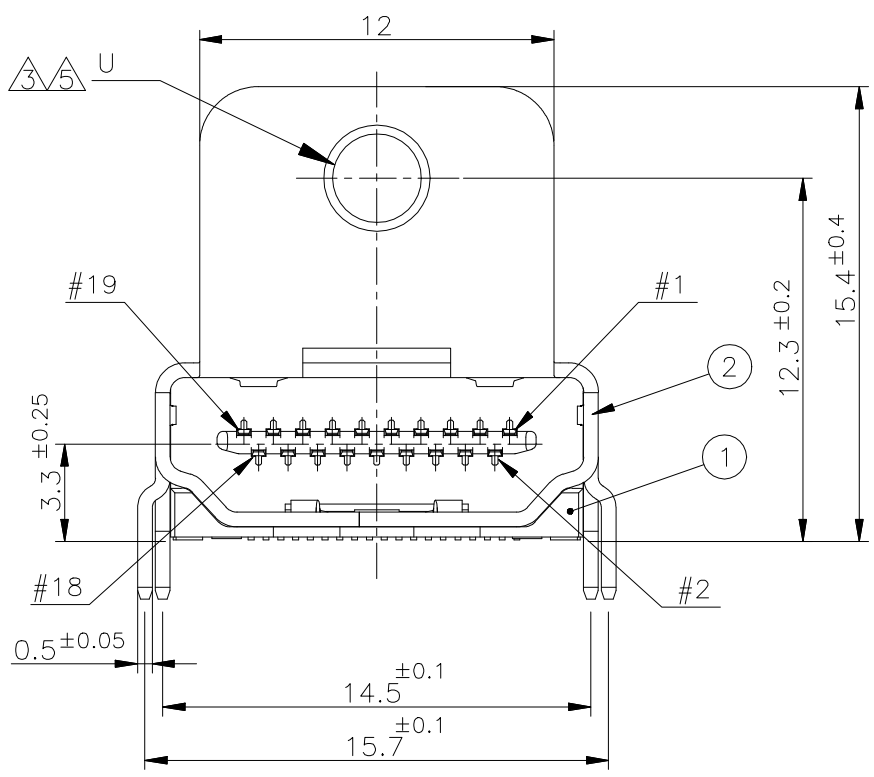
APVD



PANEL CUT OUT DIMENSION (REFERENCE)



P.C.B LAYOUT (REFERENCE)
SHOWN AS CONNECTOR MOUNTING SIDE
TOLERANCE: NON-CUMULATIVE



CONNECTOR: WITH FLANGE THROUGH HOLE TYPE

POLYIMIDE	TAPE	④
BRASS	CONTACT	③
PHOSPHOR BRONZE	SHELL	②
GLASS FILLED LCP UL94V-0, BLACK COLOR	HOUSING	①
MATERIAL	DESCRIPTION	ITEM

THIS DRAWING IS A CONTROLLED DOCUMENT.		DWN
DIMENSIONS: 单位: 毫米 mm		CHK
TOLERANCES UNLESS OTHERWISE SPECIFIED: 一般公差		APVD
0 PLC	±	PRODUCT SPEC 製品规格
1 PLC	±	APPLICATION SPEC 取付适用规格
2 PLC	±	WEIGHT
3 PLC	±	CUSTOMER DRAWING
4 PLC	±	
ANGLES	±	
MATERIAL 材料	FINISH 仕上	

TE Connectivity		NAME 名称	
		HDMI 19 POS RECEPTACLE ASSY SMT SHORT TYPE	
SIZE	CAGE CODE	DRAWING NO 番号	RESTRICTED TO
A3	00779	C=1903015	-
SCALE 尺度 4:1		SHEET 3 of 12	REV S3

THIS DRAWING IS UNPUBLISHED.

RELEASED FOR PUBLICATION

SEP ,2005.

© COPYRIGHT 2005 By -

ALL RIGHTS RESERVED.

LOC	DIST	P	LTR	REVISIONS	DATE	DWN	APVD
-	-	-	-	变更	-	-	-
				DESCRIPTION			
				SEE SHEET 1			

REVISIONS

变更

DESCRIPTION

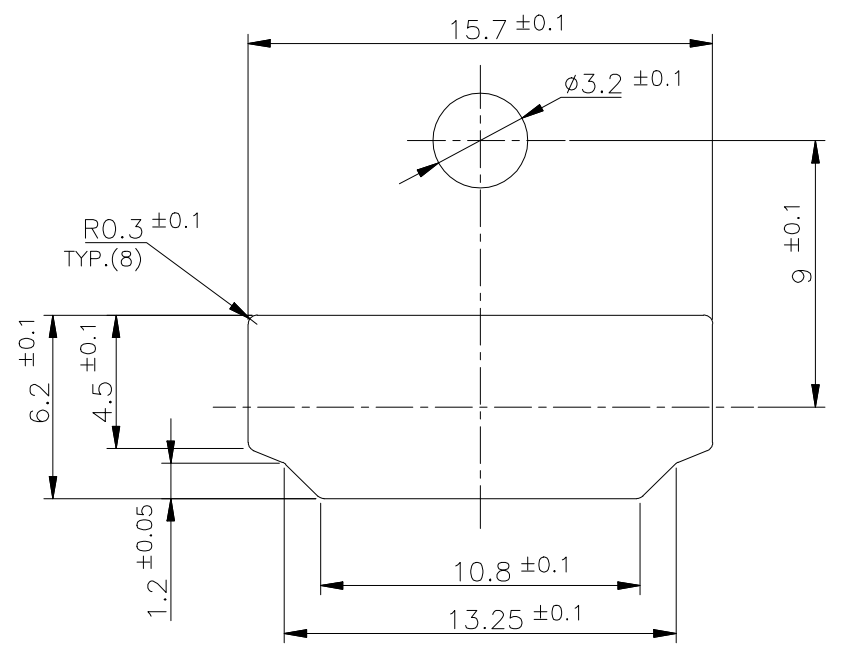
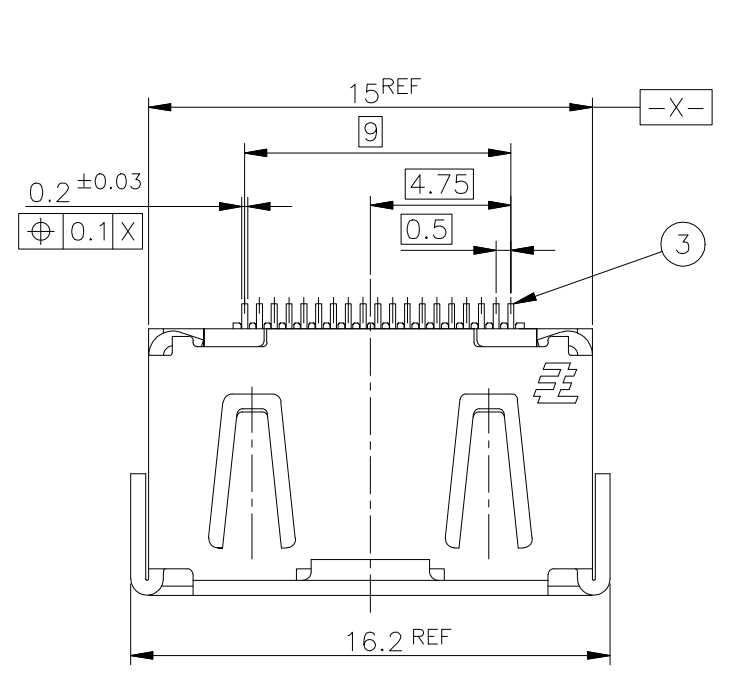
DATE

DWN

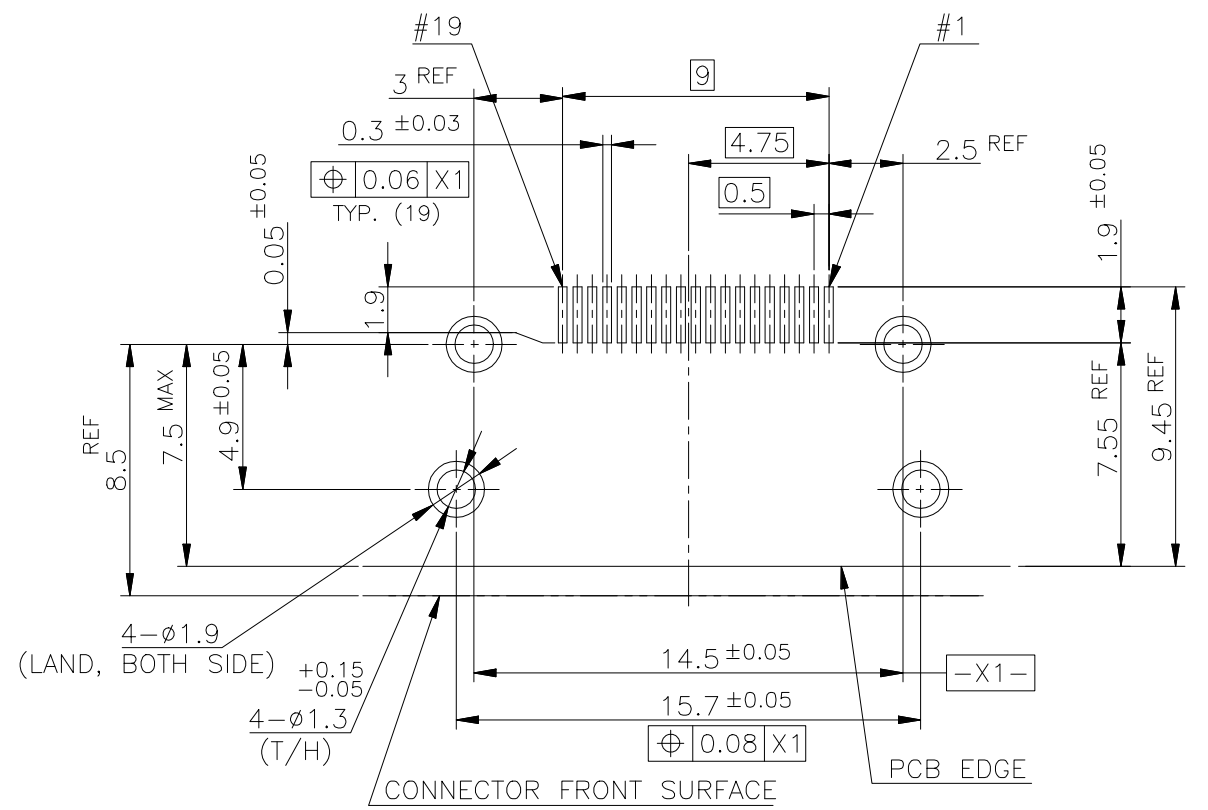
APVD

D

D



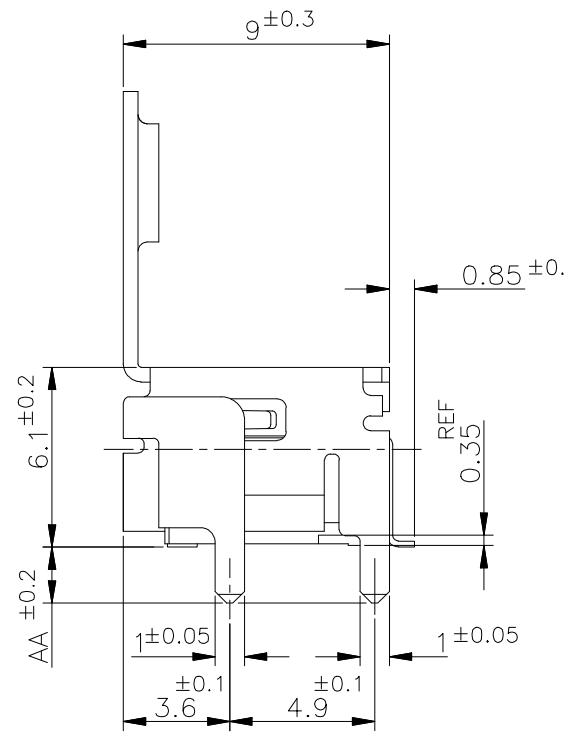
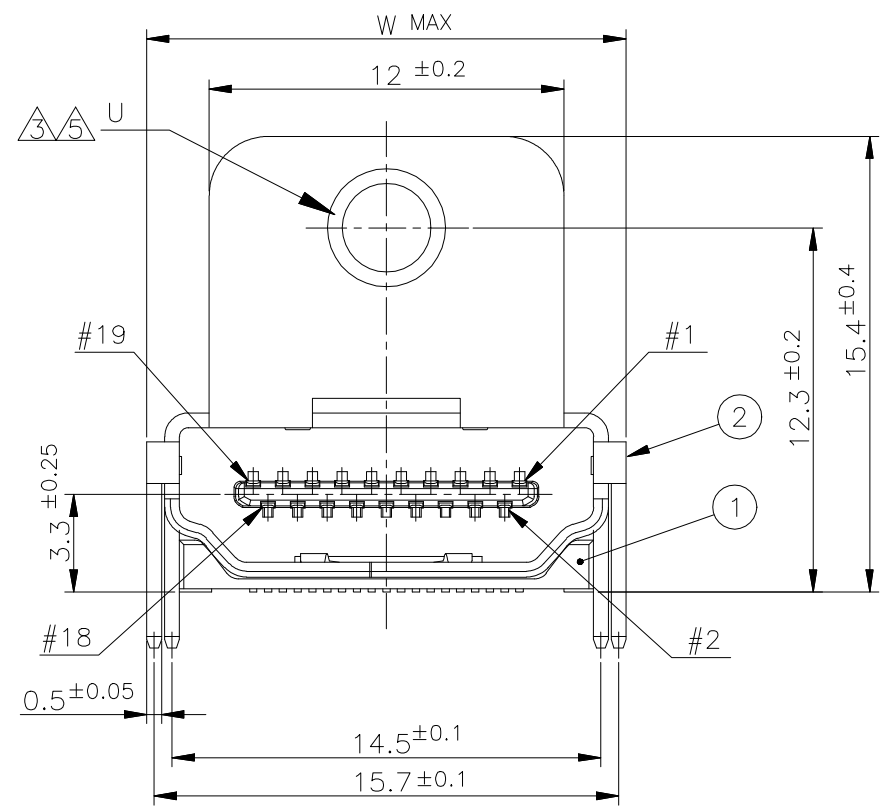
PANEL CUT OUT DIMENSION (REFERENCE)



P.C.B LAYOUT (REFERENCE)
SHOWN AS CONNECTOR MOUNTING SIDE
TOLERANCE: NON-CUMULATIVE

C

C



CONNECTOR: WITH FLANGE THROUGH HOLE TYPE

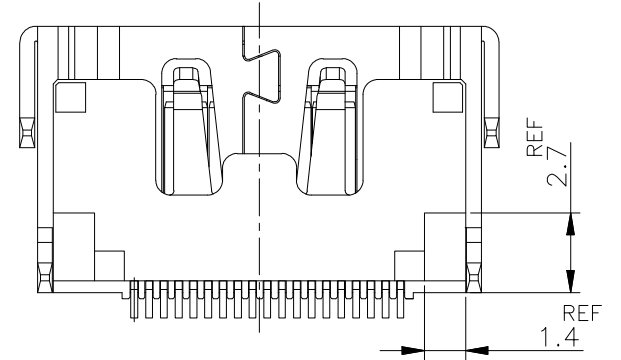
POLYIMIDE	TAPE	(4)
BRASS	CONTACT	(3)
PHOSPHOR BRONZE	SHELL	(2)
GLASS FILLED LCP UL94V-0, BLACK COLOR	HOUSING	(1)
MATERIAL	DESCRIPTION	ITEM

B

B

A

A



THIS DRAWING IS A CONTROLLED DOCUMENT.

DIMENSIONS: 单位: 毫米 mm

TOLERANCES UNLESS OTHERWISE SPECIFIED: 一般公差

0 PLC	±
1 PLC	±
2 PLC	±
3 PLC	±
4 PLC	±
ANGLES	±
FINISH 仕上	

MATERIAL 材料

TE Connectivity

HDMI 19 POS RECEPTACLE ASSY
SMT SHORT TYPE

SIZE: A3 CAGE CODE: 00779 DRAWING NO: 1903015 RESTRICTED TO: -

CUSTOMER DRAWING SCALE: 4:1 SHEET: 4 OF 12 REV: S3

4

3

2

1

THIS DRAWING IS UNPUBLISHED.

RELEASED FOR PUBLICATION

SEP ,2005.

LOC

DIST

REVISIONS

变更

DESCRIPTION

DATE

DWN

APVD

© COPYRIGHT 2005 By -

ALL RIGHTS RESERVED.

P

LTR

SEE SHEET 1

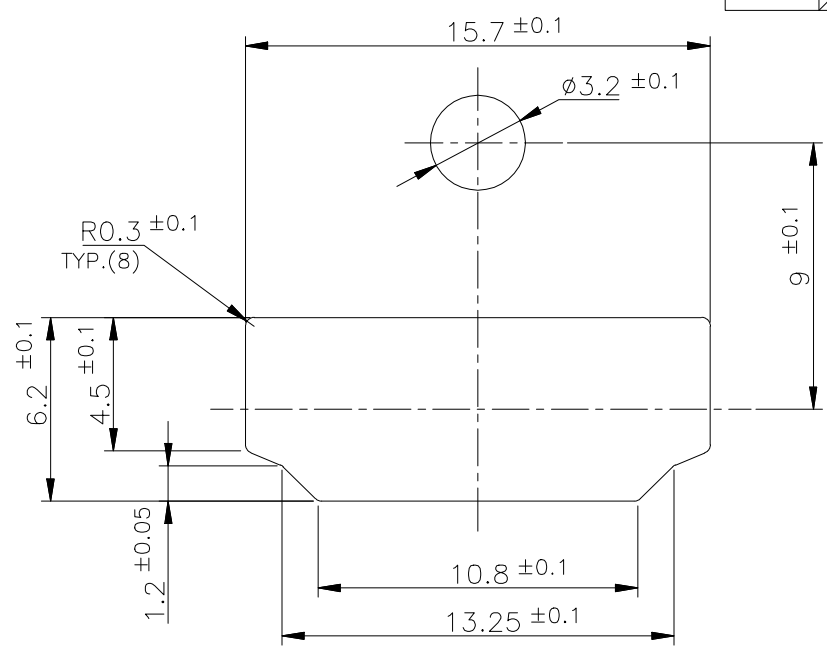
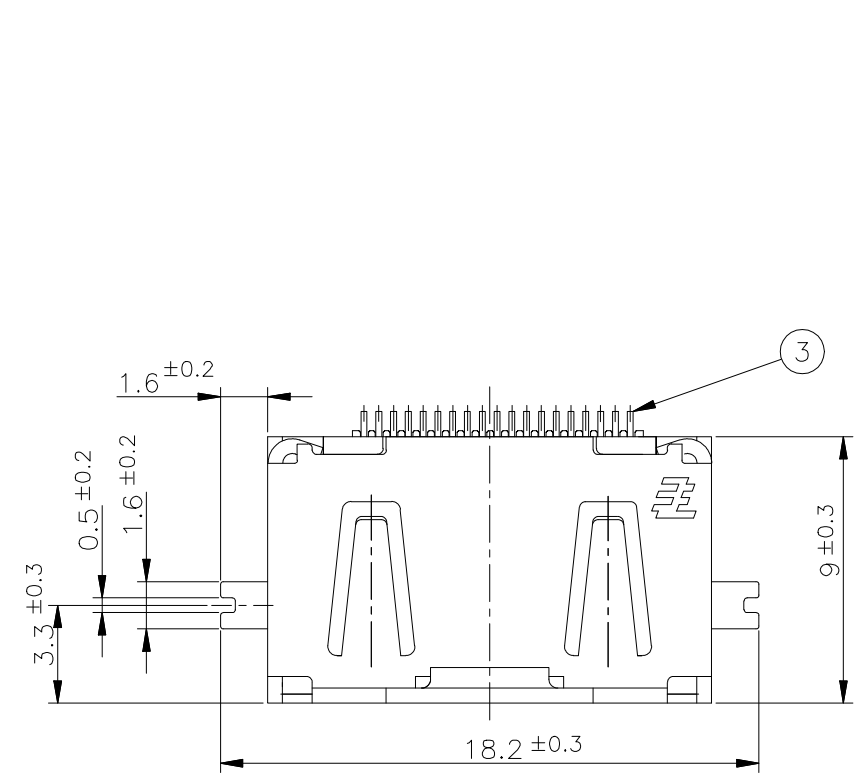
-

-

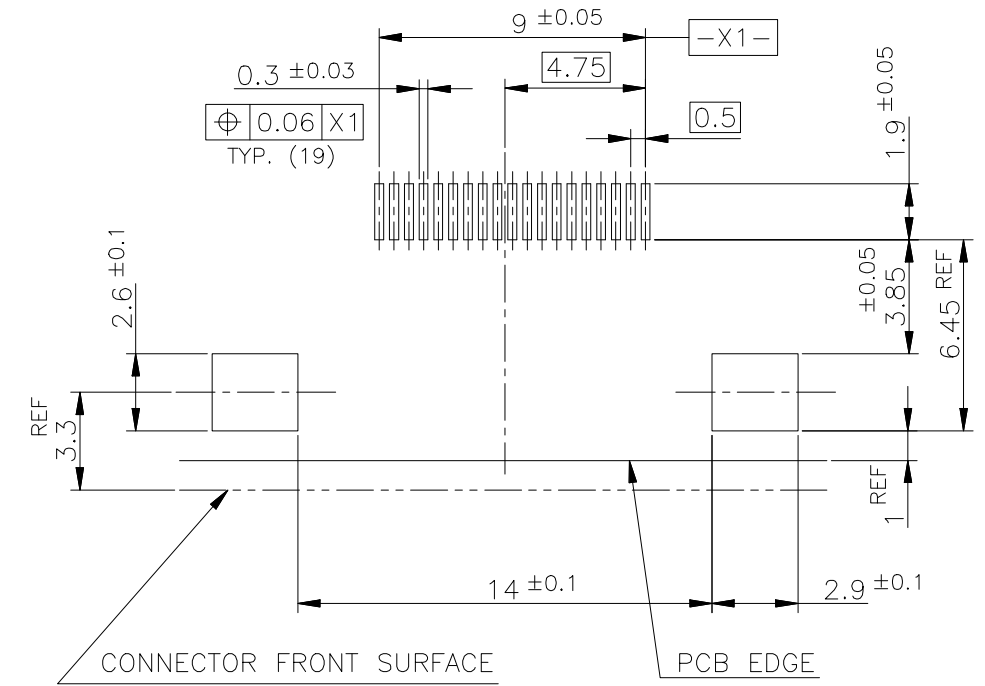
-

D

D



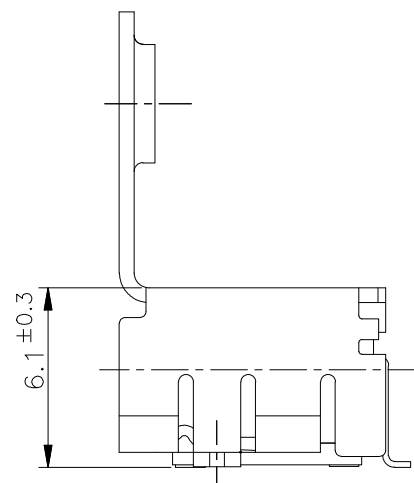
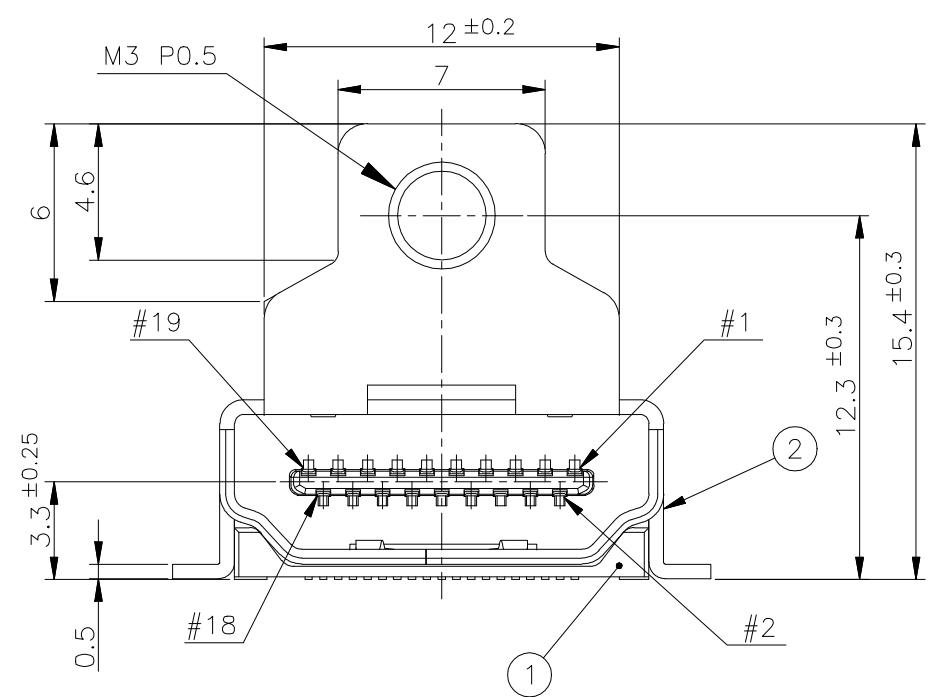
PANEL CUT OUT DIMENSION (REFERENCE)



P.C.B LAYOUT (REFERENCE)
SHOWN AS CONNECTOR MOUNTING SIDE
TOLERANCE: NON-CUMULATIVE

C

C



B

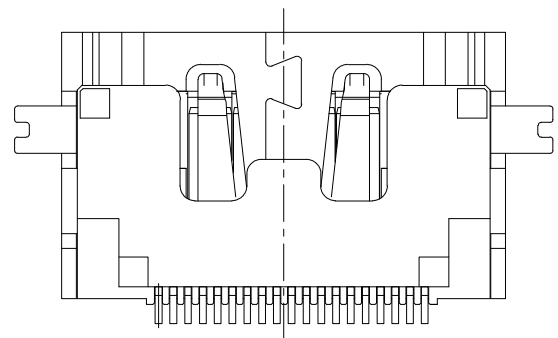
B

CONNECTOR: WITH FLANGE FULL SMT TYPE

BRASS	CONTACT	(3)
PHOSPHOR BRONZE	SHELL	(2)
GLASS FILLED LCP UL94V-0, BLACK COLOR	HOUSING	(1)
MATERIAL	DESCRIPTION	ITEM

A

A



THIS DRAWING IS A CONTROLLED DOCUMENT.

DIMENSIONS:
单位: 耗
mm

TOLERANCES UNLESS
OTHERWISE SPECIFIED:
一般公差

- 0 PLC ±
- 1 PLC ±
- 2 PLC ±
- 3 PLC ±
- 4 PLC ±
- ANGLES ±
- FINISH 仕上

MATERIAL
材料

DWN
CHK
APVD
PRODUCT SPEC 製品规格
APPLICATION SPEC 取付適用规格
WEIGHT

				NAME 名称 HDMI 19 POS RECEPTACLE ASSY SMT SHORT TYPE	
A300779		G-1903015		-	

CUSTOMER DRAWING

SCALE
尺度 4:1

SHEET
5 of 12

REV
S3

4

3

2

1

THIS DRAWING IS UNPUBLISHED.

RELEASED FOR PUBLICATION

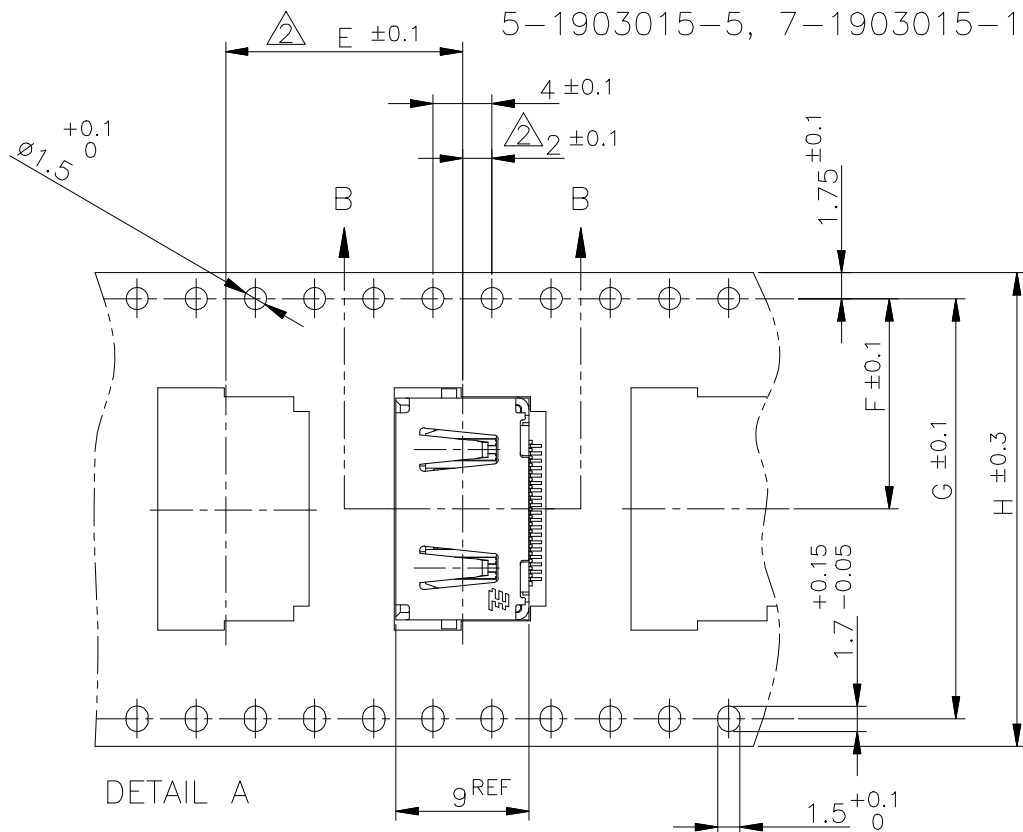
SEP ,2005.

© COPYRIGHT 2005 By -

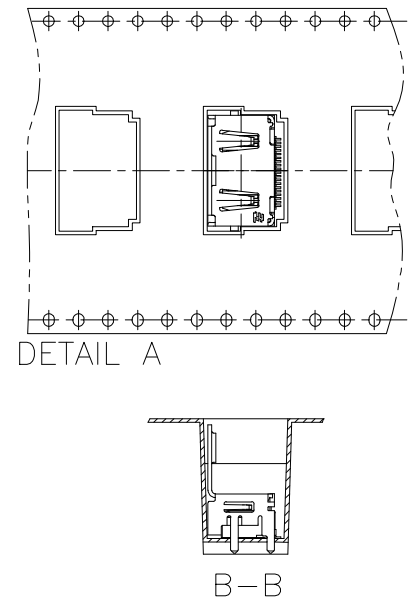
ALL RIGHTS RESERVED.

1903015-1, 2-1903015-2, 5-1903015-1
5-1903015-5, 7-1903015-1; AS SHOWN

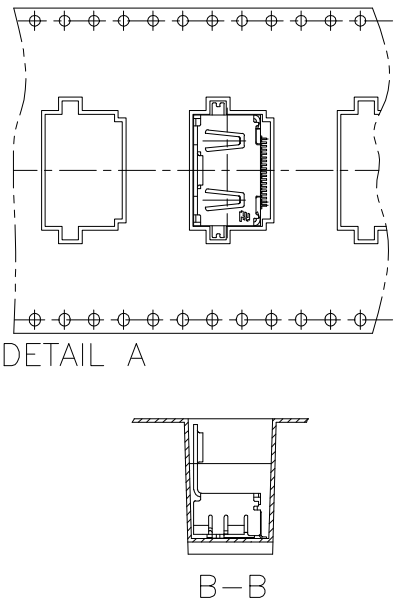
LOC	DIST	REVISIONS			DATE	DWN	APVD
-	-	P	LTR	DESCRIPTION	-	-	-
-	-	-	-	SEE SHEET 1	-	-	-



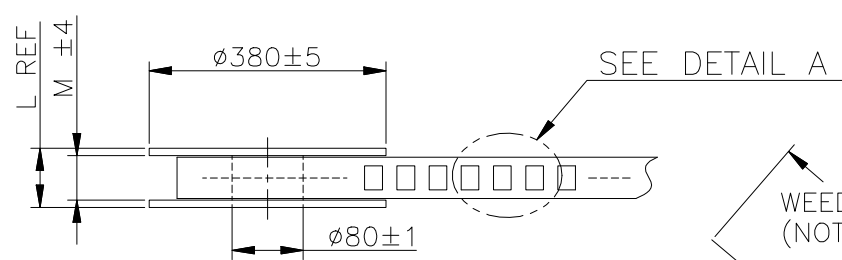
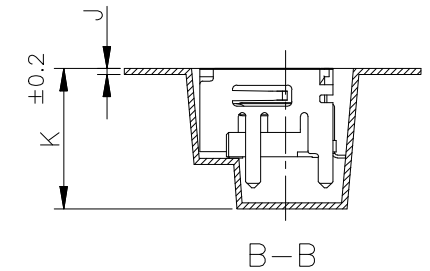
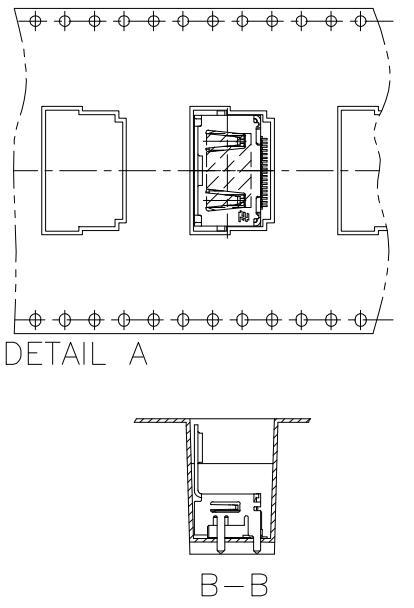
5-1903015-3; AS SHOWN (SCALE 1:1)



5-1903015-9; AS SHOWN (SCALE 1:1)



9-1903015-3; AS SHOWN (SCALE 1:1)



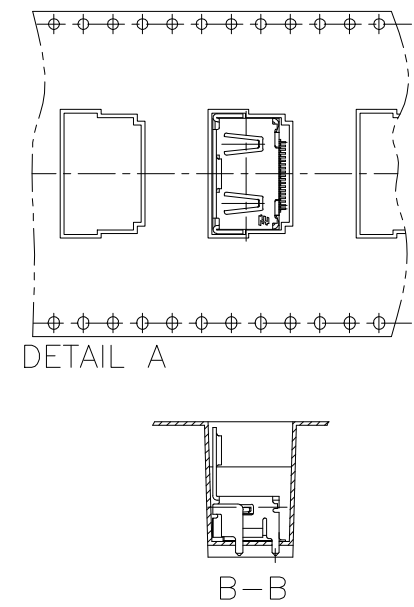
WEEDING THE COVER TAPE: 300 MIN (NOT INCLUDE EMPTINESS POCKET)

PELLING ANGLE: 165°~180°
PEELING STRENGTH: 0.1~0.7N (300mm/min.)

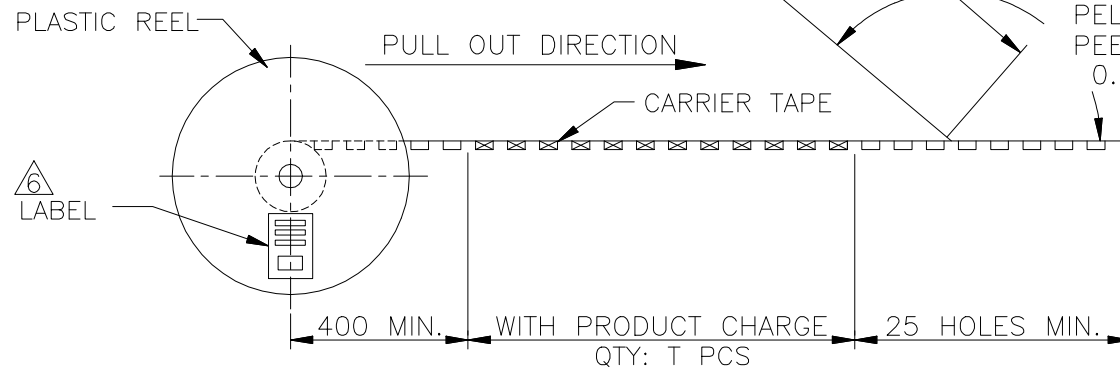
△ LABEL DESCRIPTION

TYCO P/N: *-1903015-*
QTY: * pcs
D/C:
MADE IN CHINA

1903015-3; AS SHOWN (SCALE 1:1)



PET	COVER TAPE
PS	CARRIER TAPE
PLASTIC	REEL
MATERIAL	DESCRIPTION



THIS DRAWING IS A CONTROLLED DOCUMENT.

DIMENSIONS: 單位: 耗 mm	TOLERANCES UNLESS OTHERWISE SPECIFIED: 一般公差
0 PLC	±
1 PLC	±
2 PLC	±
3 PLC	±
4 PLC	±
ANGLES	±
MATERIAL 材料	FINISH 仕上

DWN
CHK
APVD
PRODUCT SPEC 製品規格
APPLICATION SPEC 取付適用規格
WEIGHT
CUSTOMER DRAWING

TE TE Connectivity		NAME 名称	
HDMI 19 POS RECEPTACLE ASSY SMT SHORT TYPE		RESTRICTED TO	
SIZE	CAGE CODE	DRAWING NO 番号	REV
A3	00779	1903015	S3
SCALE 尺度 4:1		SHEET 6 of 12	

4

3

2

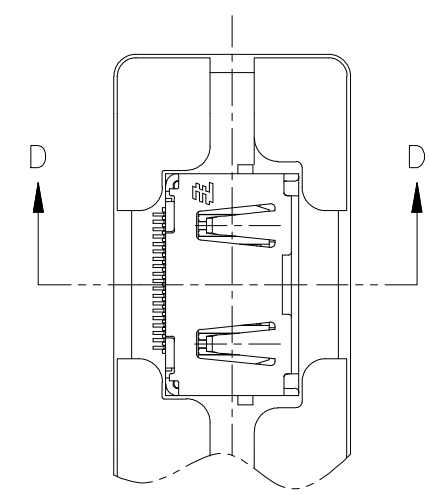
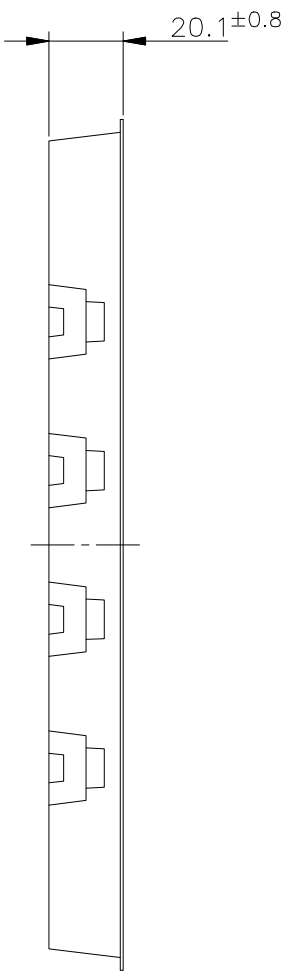
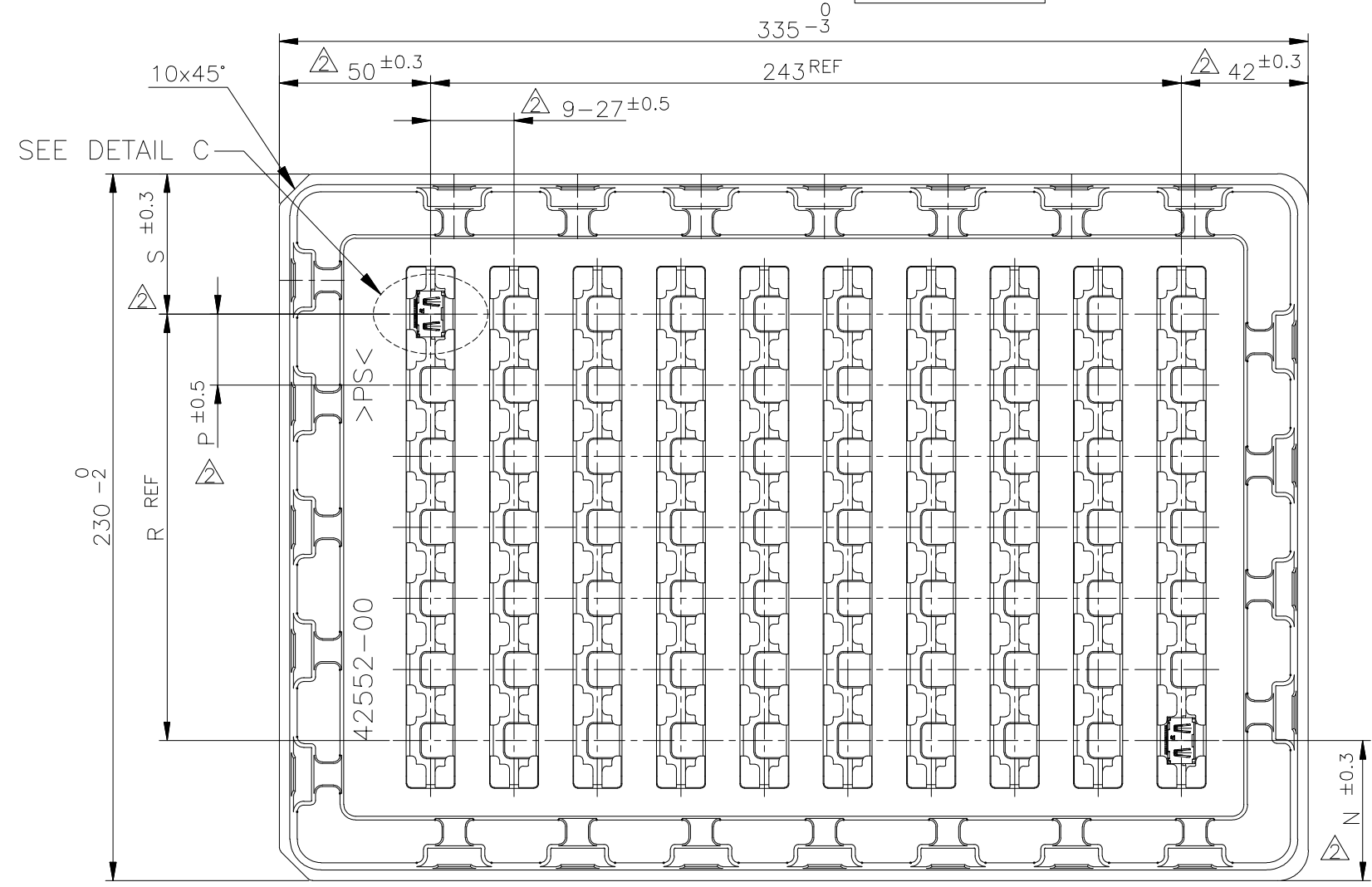
1

THIS DRAWING IS UNPUBLISHED. RELEASED FOR PUBLICATION SEP ,2005.
 © COPYRIGHT 2005 By - ALL RIGHTS RESERVED.

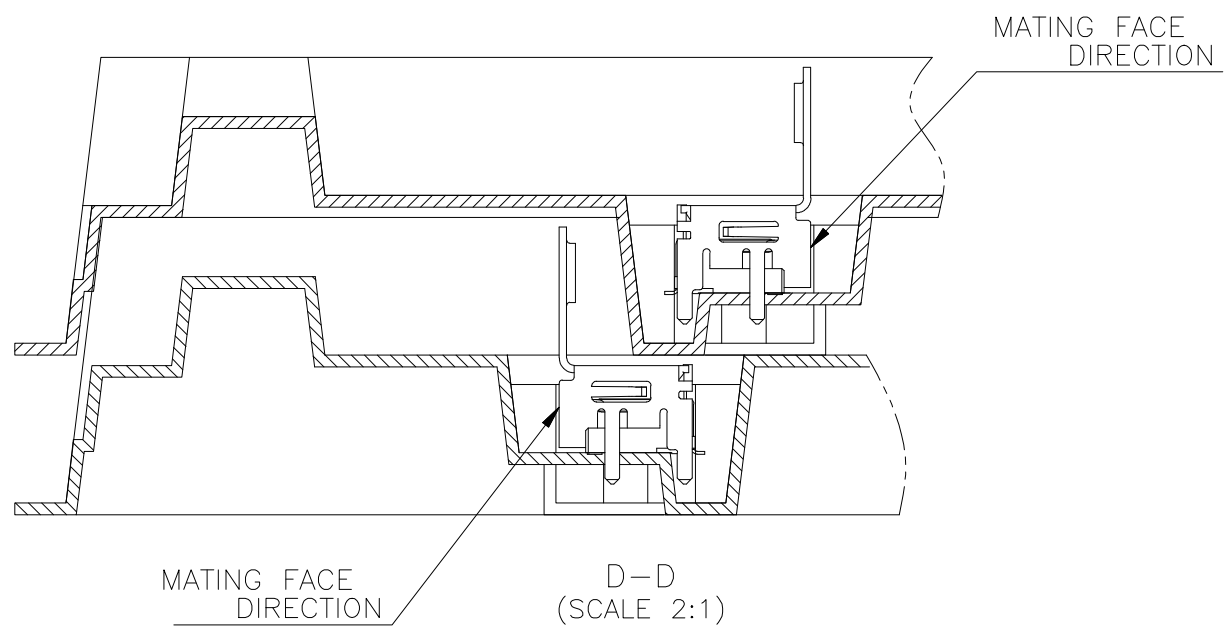
LOC	DIST	REVISIONS 变更			
P	LTR	DESCRIPTION	DATE	DWN	APVD
-	-	SEE SHEET 1	-	-	-

1903015-2, 1903015-5, 4-1903015-1, 5-1903015-2, 5-1903015-4
 8-1903015-4, 9-1903015-4; AS SHOWN

OBSOLETE Ⓞ



DETAIL C
(SCALE 2:1)



D-D
(SCALE 2:1)

THIS DRAWING IS A CONTROLLED DOCUMENT.

DIMENSIONS: 单位: 耗 mm	TOLERANCES UNLESS OTHERWISE SPECIFIED: 一般公差	0 PLC ±	1 PLC ±	2 PLC ±	3 PLC ±	4 PLC ±	ANGLES ±	FINISH 仕上
MATERIAL 材料								

DWN	TE Connectivity			
CHK	NAME 名称			
APVD	HDMI 19 POS RECEPTACLE ASSY SMT SHORT TYPE			
PRODUCT SPEC 製品规格	SIZE	CAGE CODE	DRAWING NO 番号	RESTRICTED TO
APPLICATION SPEC 取付適用规格	A3	00779	1903015	-
WEIGHT	CUSTOMER DRAWING		SCALE 尺度	SHEET
			4:1	7 of 12
				REV S3

PS	TRAY
MATERIAL	DESCRIPTION

4

3

2

1

THIS DRAWING IS UNPUBLISHED.

RELEASED FOR PUBLICATION

SEP ,2005.

© COPYRIGHT 2005 By -

ALL RIGHTS RESERVED.

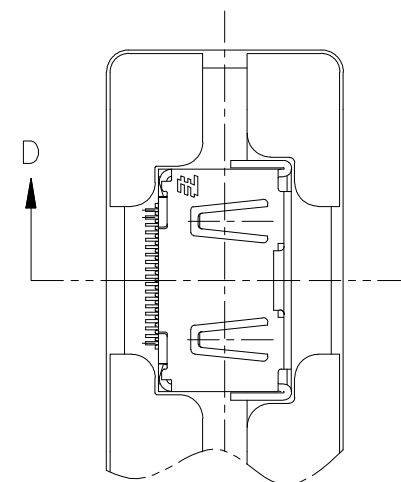
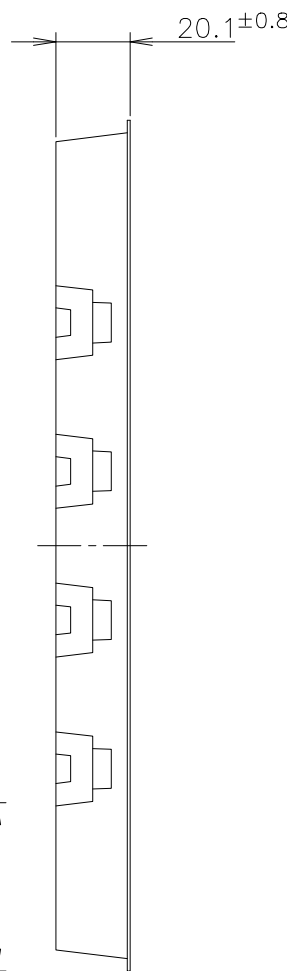
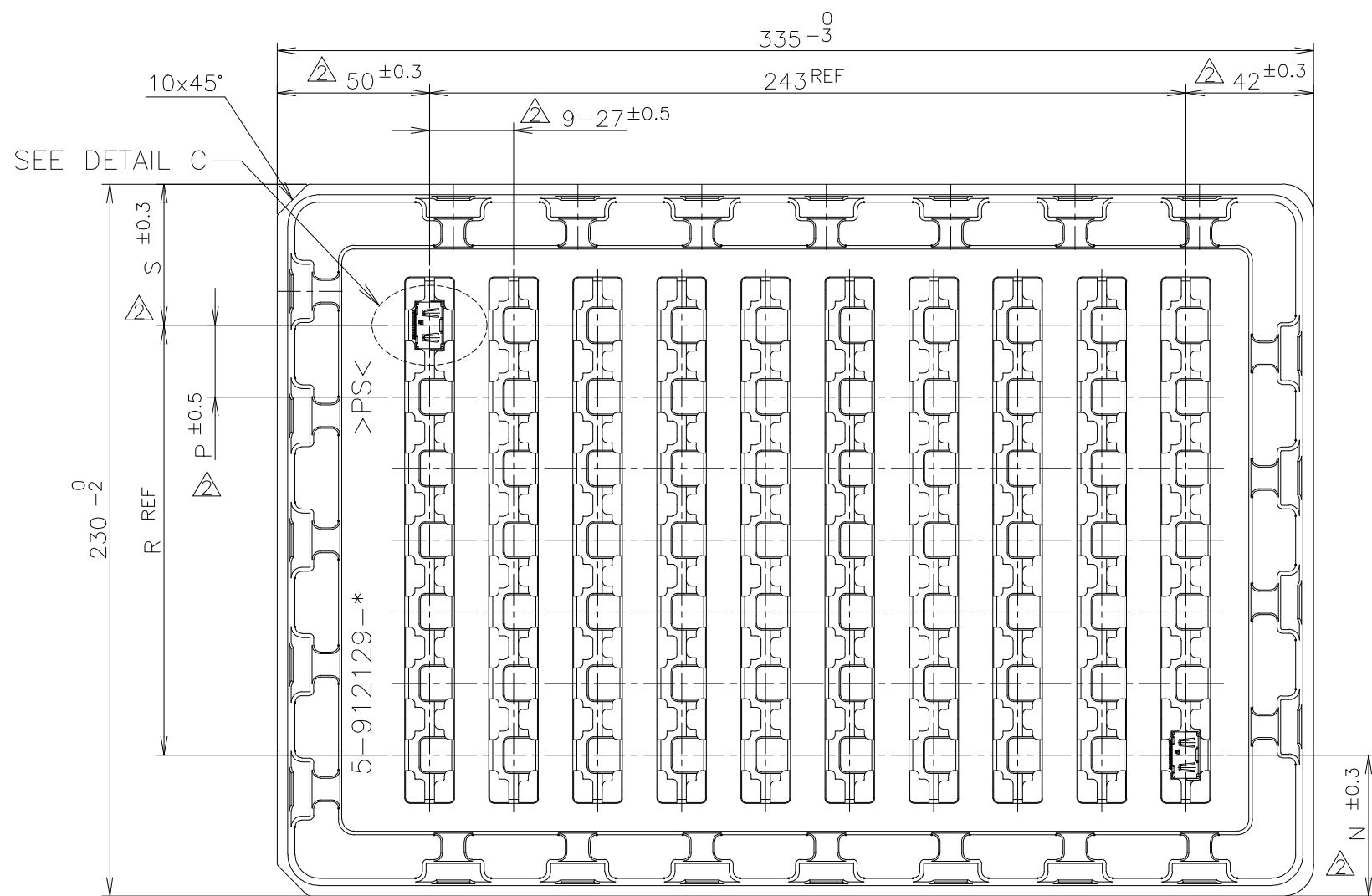
LOC	DIST
-	-

REVISIONS

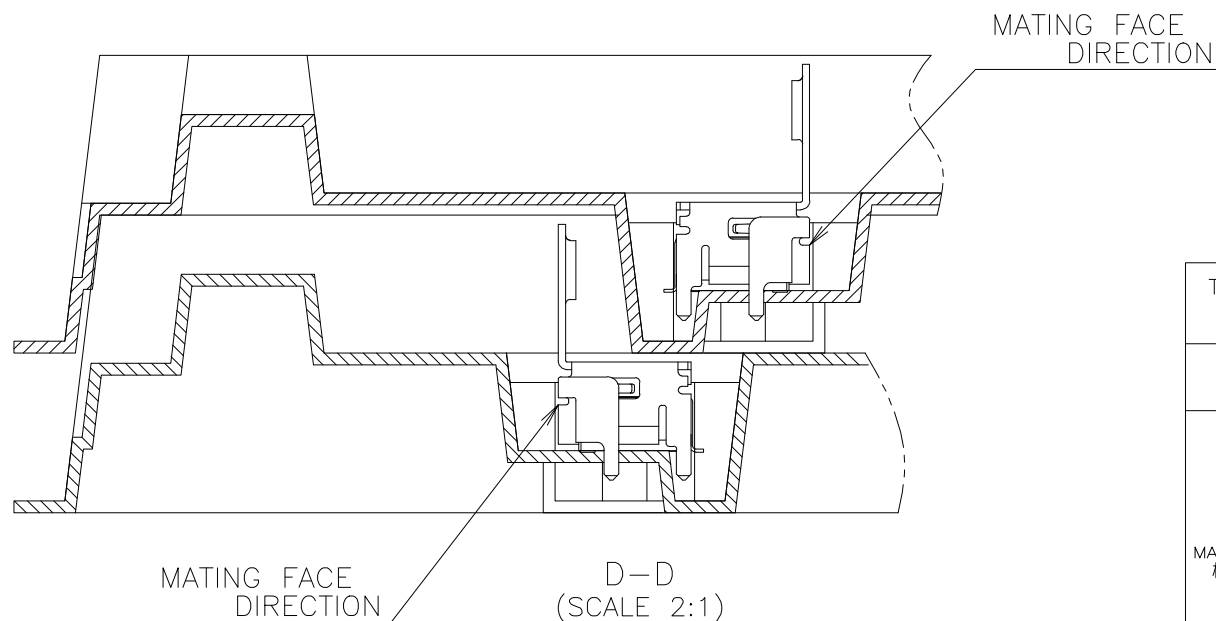
变更

P	LTR	DESCRIPTION	DATE	DWN	APVD
-	-	SEE SHEET 1	-	-	-

1903015-4; AS SHOWN



DETAIL C (SCALE 2:1)



D-D (SCALE 2:1)

THIS DRAWING IS A CONTROLLED DOCUMENT.

DIMENSIONS:
单位: 耗
mm

TOLERANCES UNLESS
OTHERWISE SPECIFIED:
一般公差

- 0 PLC ±
- 1 PLC ±
- 2 PLC ±
- 3 PLC ±
- 4 PLC ±
- ANGLES ±
- FINISH 仕上

MATERIAL
材料

DWN
CHK
APVD
PRODUCT SPEC 製品規格
APPLICATION SPEC 取付適用規格
WEIGHT
CUSTOMER DRAWING



PS	TRAY
MATERIAL	DESCRIPTION

NAME 名称		HDMI 19 POS RECEPTACLE ASSY SMT SHORT TYPE	
SIZE	CAGE CODE	DRAWING NO 番号	RESTRICTED TO
A3	00779	1903015	-
SCALE 尺度 4:1		SHEET 8 of 12	REV S3

4

3

2

1

THIS DRAWING IS UNPUBLISHED.

RELEASED FOR PUBLICATION

SEP ,2005.

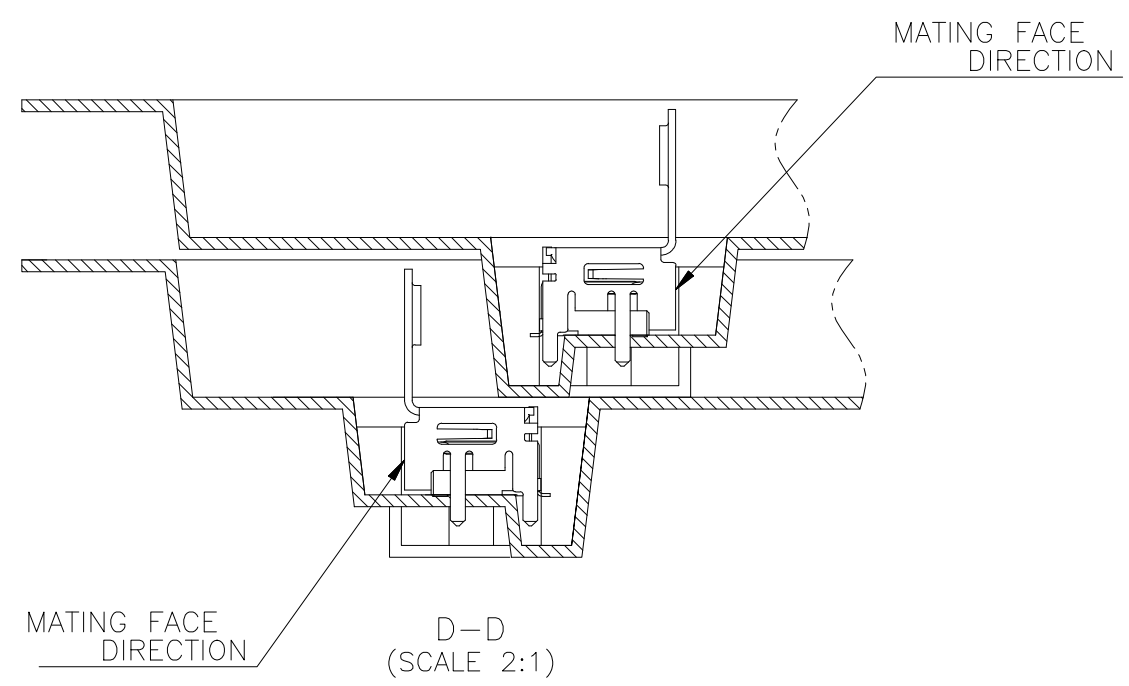
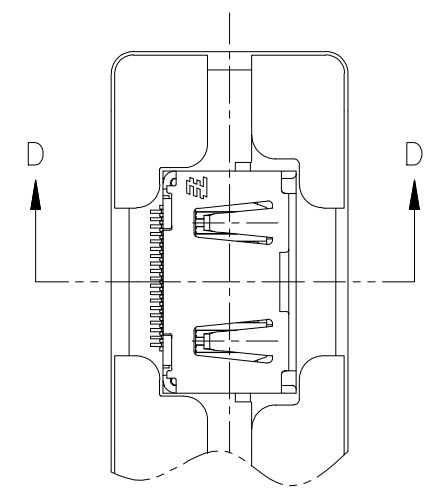
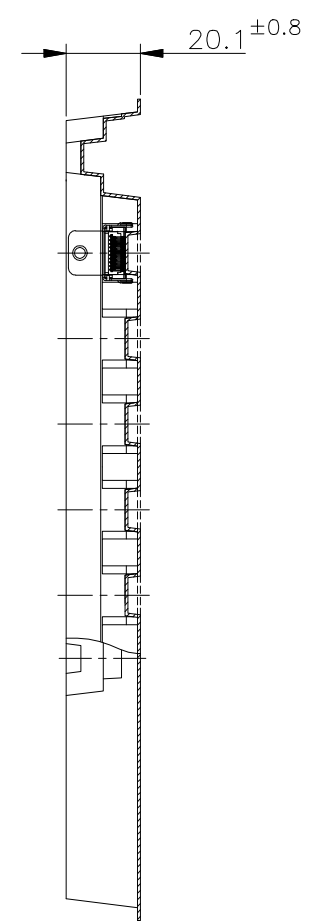
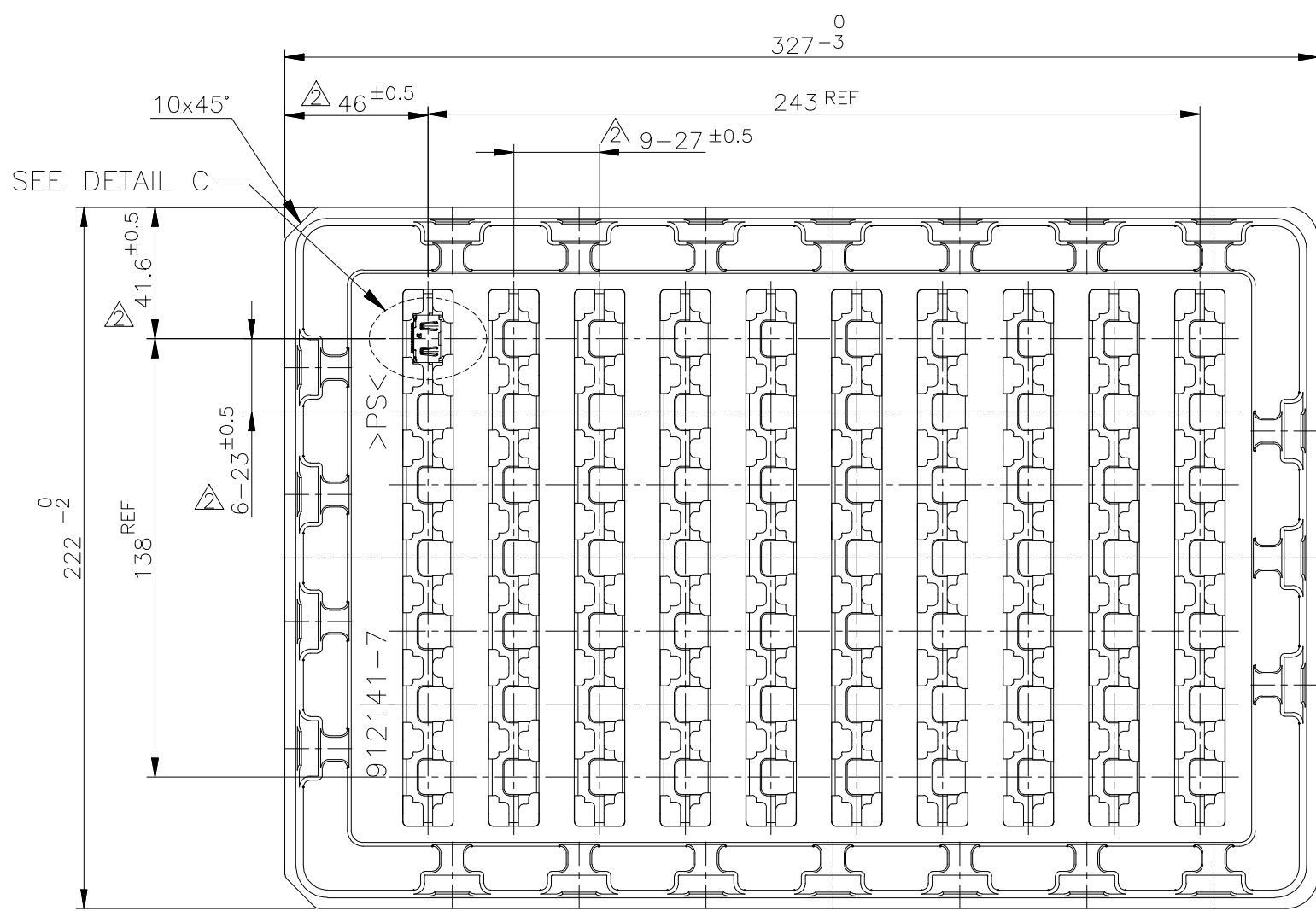
© COPYRIGHT 2005 By -

ALL RIGHTS RESERVED.

1903015-7, 1903015-8; AS SHOWN

LOC	DIST
-	-

REVISIONS			DATE	DWN	APVD
变更					
P	LTR	DESCRIPTION			
-	-	SEE SHEET 1	-	-	-



THIS DRAWING IS A CONTROLLED DOCUMENT.

DIMENSIONS: 单位: 耗 mm	TOLERANCES UNLESS OTHERWISE SPECIFIED: 一般公差
0 PLC	±
1 PLC	±
2 PLC	±
3 PLC	±
4 PLC	±
ANGLES	±
FINISH 仕上	

MATERIAL
材料

DWN	CHK	APVD	NAME 名称	PS	TRAY
PRODUCT SPEC 製品規格	APPLICATION SPEC 取付適用規格	WEIGHT	HDMI 19 POS RECEPTACLE ASSY SMT SHORT TYPE	MATERIAL	DESCRIPTION
CUSTOMER DRAWING	SCALE 尺度 4:1	SHEET 9 of 12	REV S3	SIZE A3	CAGE CODE 00779
		DRAWING NO 番号 1903015	RESTRICTED TO		

4

3

2

1

THIS DRAWING IS UNPUBLISHED.

RELEASED FOR PUBLICATION

SEP ,2005.

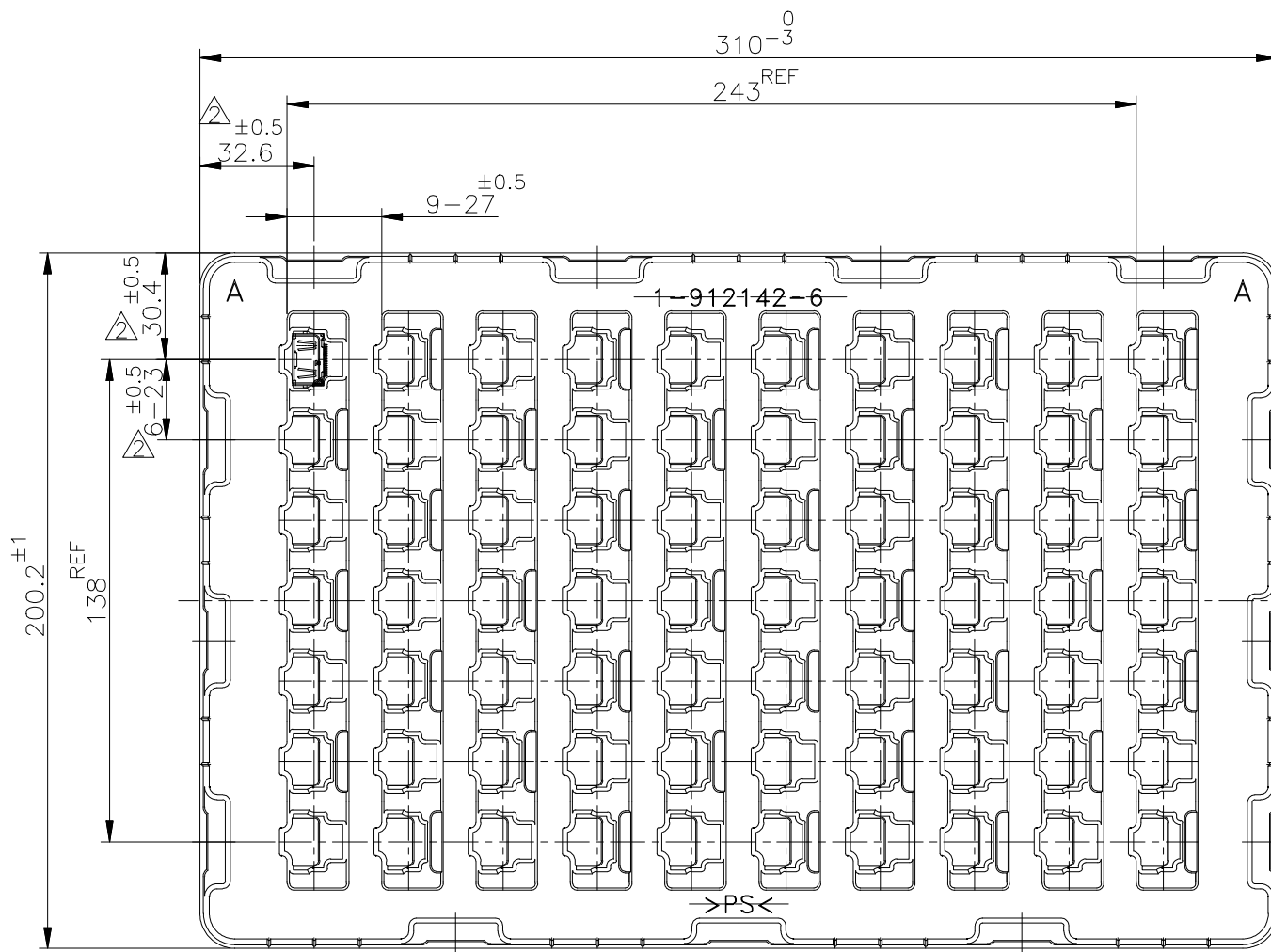
© COPYRIGHT 2005 By -

ALL RIGHTS RESERVED.

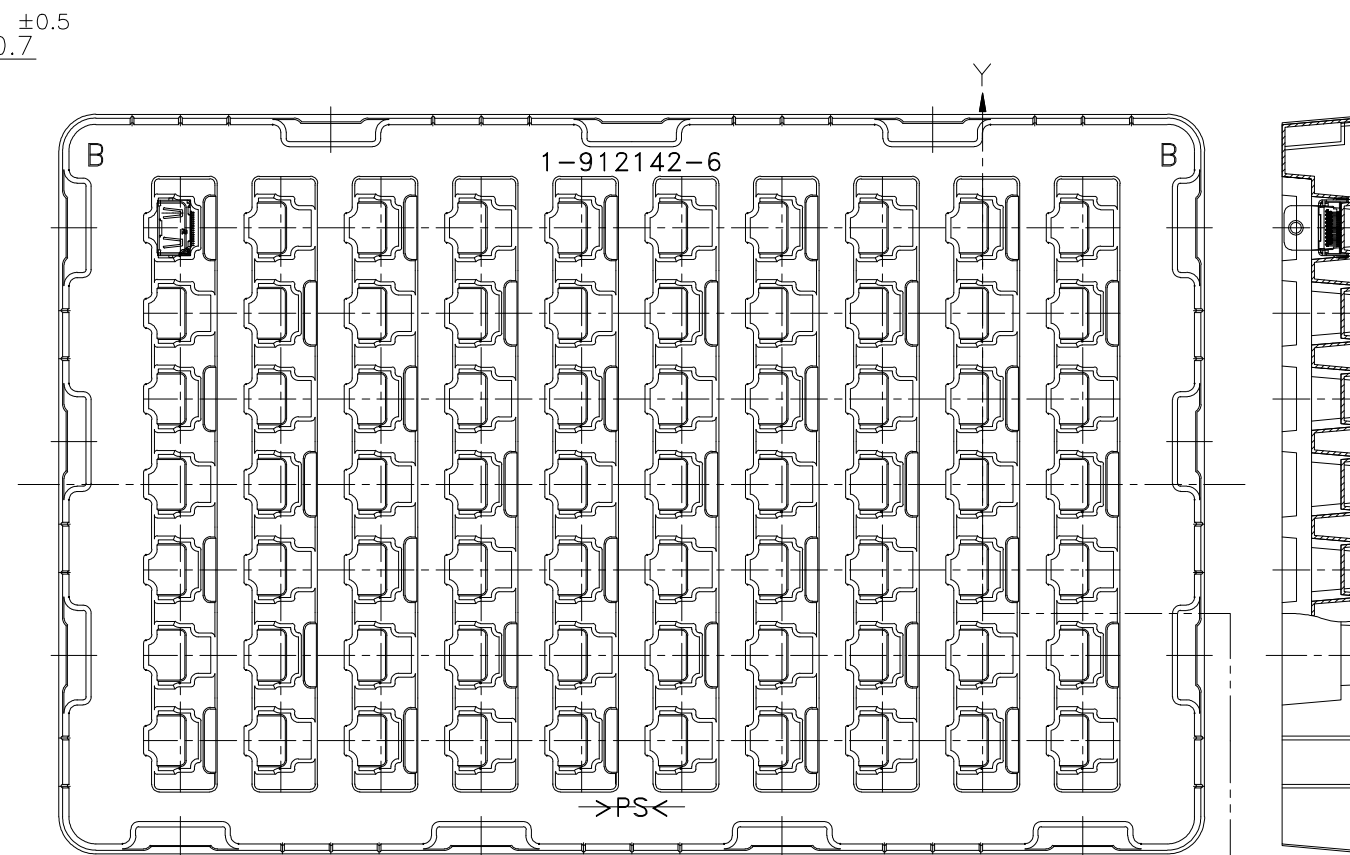
LOC	DIST
-	-

REVISIONS			DATE	DWN	APVD
P	LTR	DESCRIPTION			
-	-	SEE SHEET 1	-	-	-

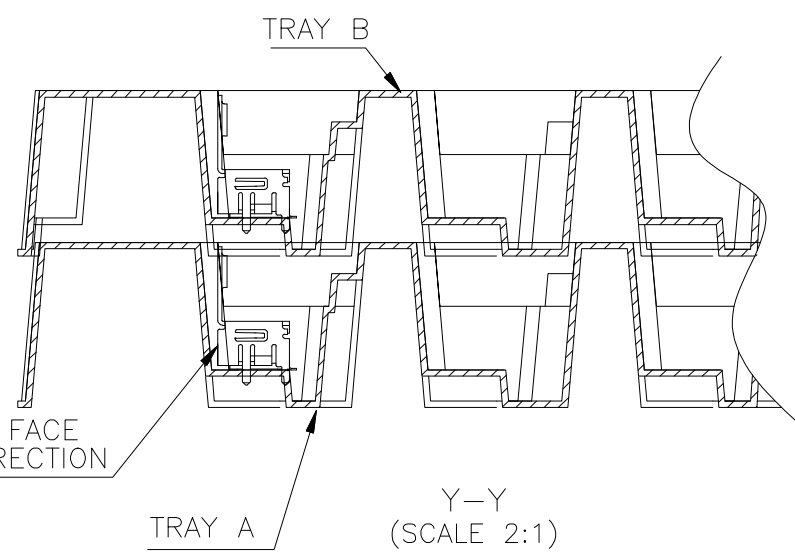
8-1903015-4; AS SHOWN



TRAY A

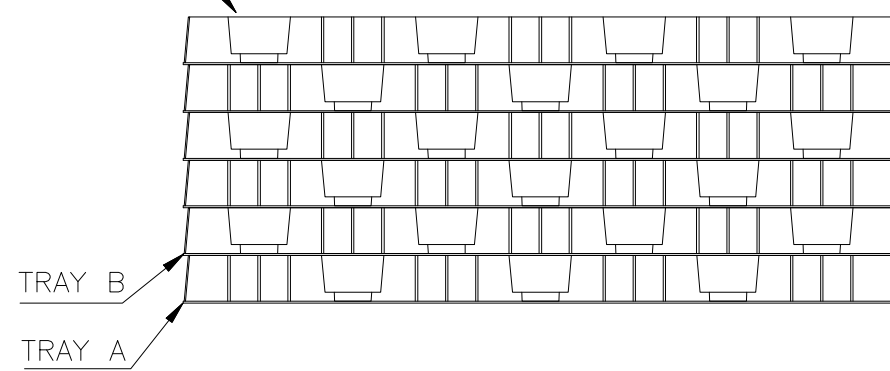


TRAY B



Y-Y (SCALE 2:1)

TRAY B (EMPTY)



TRAY B
TRAY A

PS	TRAY
MATERIAL	DESCRIPTION

THIS DRAWING IS A CONTROLLED DOCUMENT.

DIMENSIONS: 單位: 耗 mm	TOLERANCES UNLESS OTHERWISE SPECIFIED: 一般公差	DWN	TE Connectivity	NAME 名称 HDMI 19 POS RECEPTACLE ASSY SMT SHORT TYPE
0 PLC ±	1 PLC ±	CHK		
2 PLC ±	3 PLC ±	APVD		
4 PLC ±	ANGLES ±	PRODUCT SPEC 製品規格		
MATERIAL 材料	FINISH 仕上	APPLICATION SPEC 取付適用規格	WEIGHT	RESTRICTED TO
		CUSTOMER DRAWING	SCALE 尺度 4:1	SHEET 10 of 12

SIZE: A3 CAGE CODE: 00779 DRAWING NO: 1903015

REV: S3

4

3

2

1

THIS DRAWING IS UNPUBLISHED.

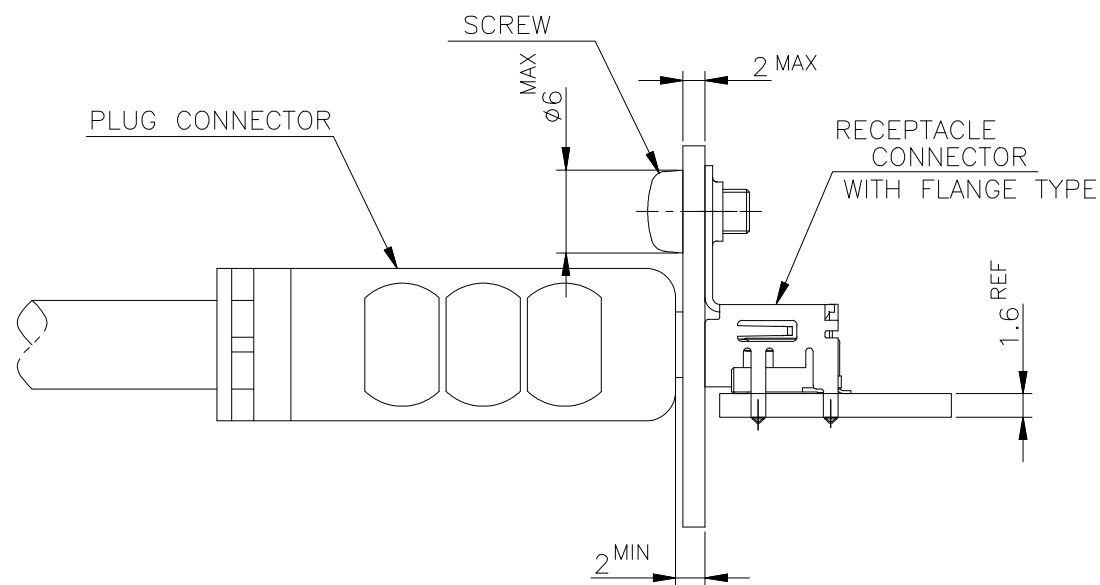
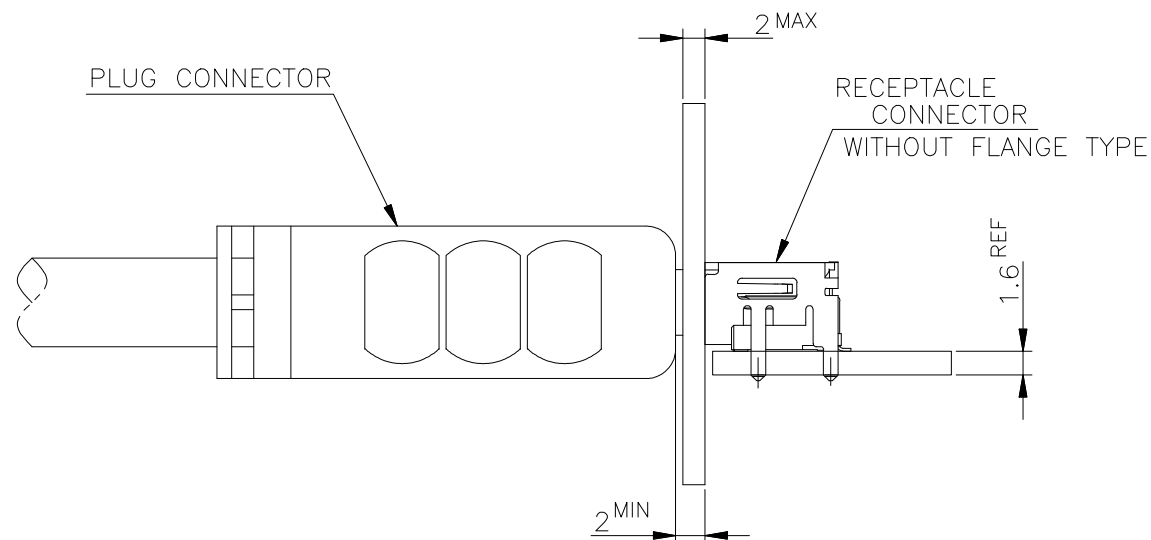
RELEASED FOR PUBLICATION

SEP ,2005.

© COPYRIGHT 2005 By -

ALL RIGHTS RESERVED.

LOC	DIST	REVISIONS			DATE	DWN	APVD
-	-	P	LTR	DESCRIPTION			
		-		SEE SHEET 1	-	-	-



MATING CONDITION (REFERENCE)
(SCALE 2:1)

THIS DRAWING IS A CONTROLLED DOCUMENT.		DWN		TE TE Connectivity	
DIMENSIONS: 単位: 耗 mm		CHK			
TOLERANCES UNLESS OTHERWISE SPECIFIED: 一般公差		APVD		NAME 名称	
0 PLC ±		PRODUCT SPEC 製品規格		HDMI 19 POS RECEPTACLE ASSY SMT SHORT TYPE	
1 PLC ±		APPLICATION SPEC 取付適用規格		SIZE	CAGE CODE
2 PLC ±		WEIGHT		A3	00779
3 PLC ±		CUSTOMER DRAWING		DRAWING NO 番号	1903015
4 PLC ±		SCALE 尺度		RESTRICTED TO	
ANGLES ±		4:1			
FINISH 仕上		SHEET		REV	
MATERIAL 材料		11 OF 12		S3	

4

3

2

1

THIS DRAWING IS PUBLISHED.

RELEASED FOR PUBLICATION

SEP , 2005.

LOC

DIST

REVISIONS

© COPYRIGHT 2005, By -

ALL RIGHTS RESERVED.

P LTR

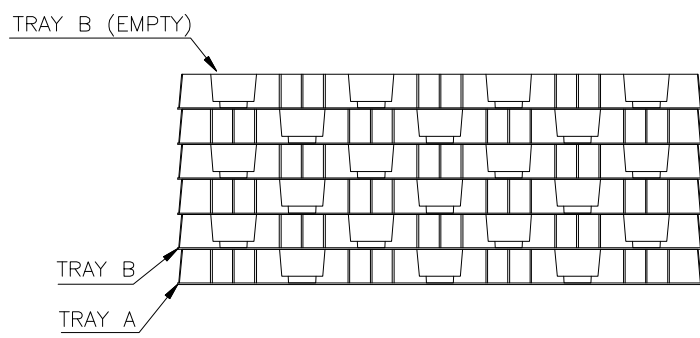
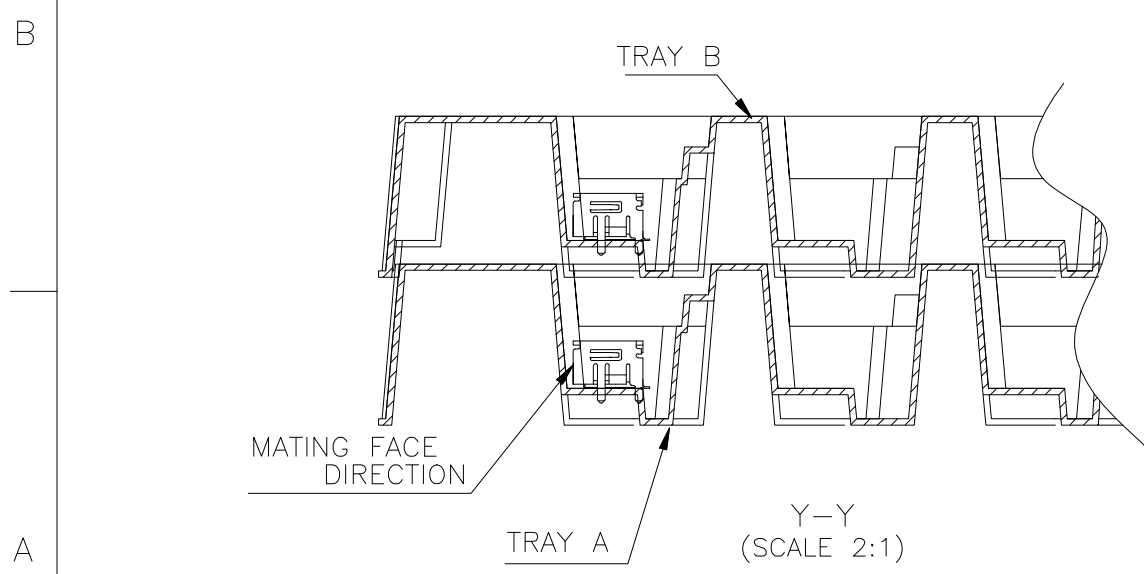
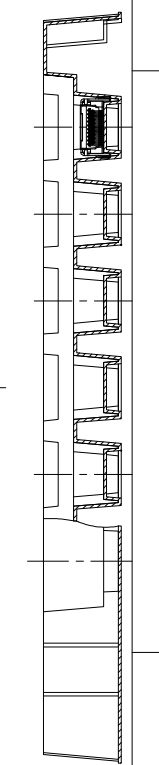
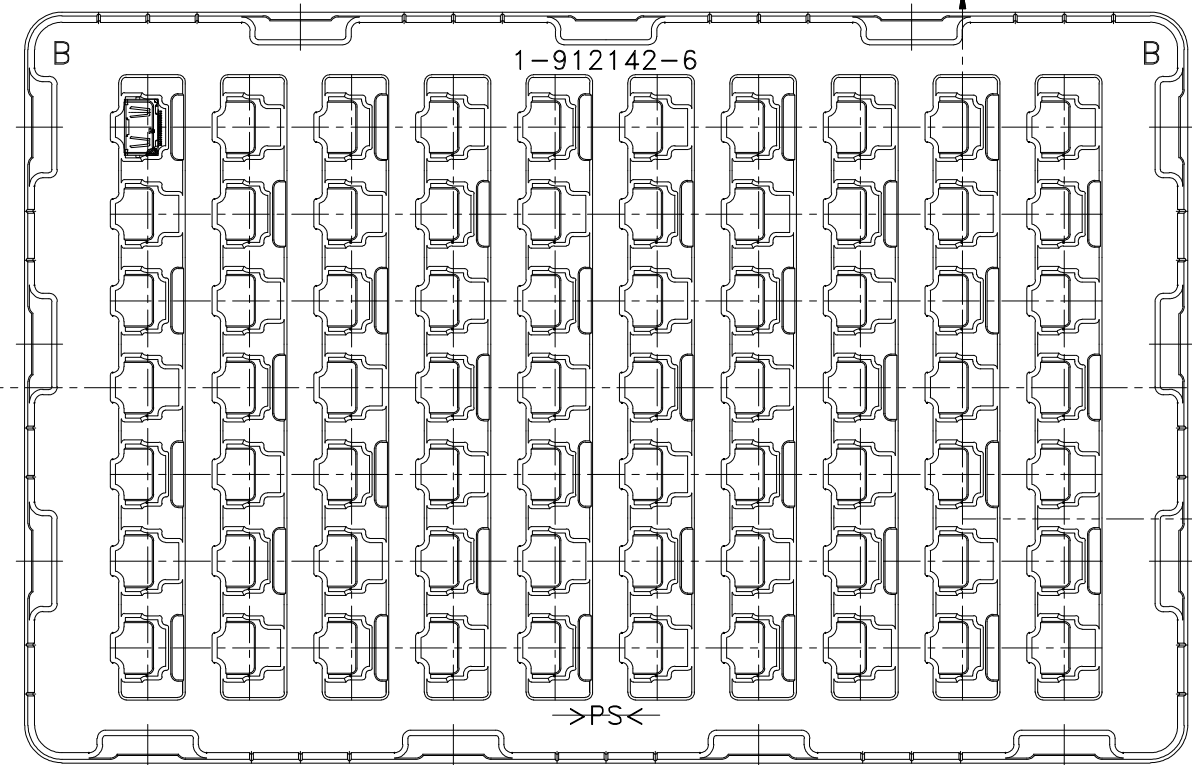
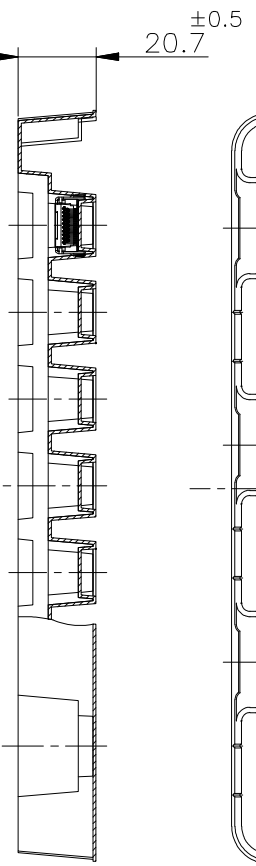
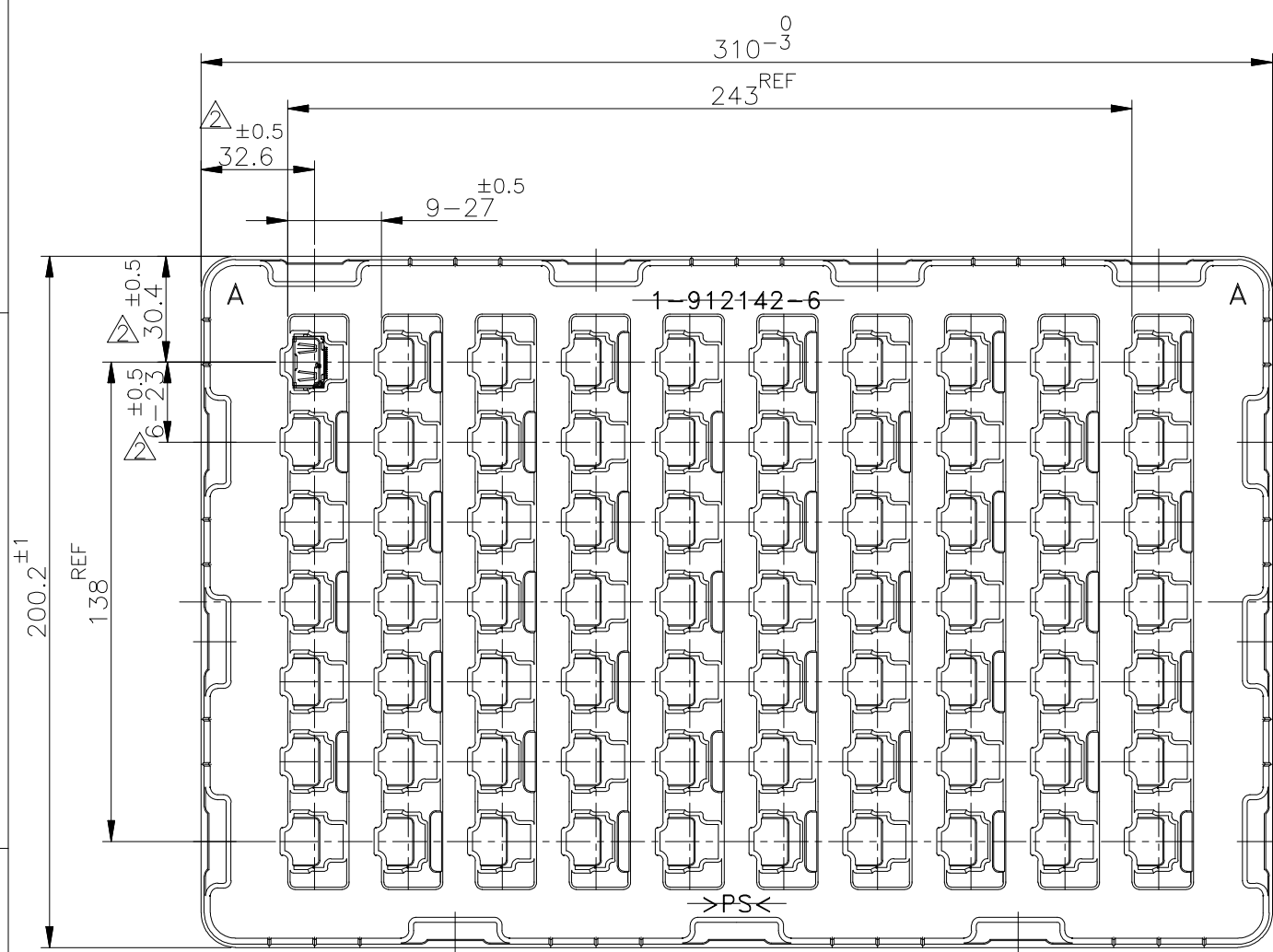
DATE (SCALE 2:1)

DWN

APVD

SEE SHEET 1

P/N:6-1903015-3



THIS DRAWING IS A CONTROLLED DOCUMENT.		DWN		TE Connectivity	
DIMENSIONS: 單位: 耗 mm		TOLERANCES UNLESS OTHERWISE SPECIFIED: 一般公差			
MATERIAL 材料		0 PLC ±		NAME 名称	
		1 PLC ±		HDMI 19 POS RECEPTACLE ASSY	
MATERIAL 材料		2 PLC ±		SMT SHORT TYPE	
		3 PLC ±		SIZE	
MATERIAL 材料		4 PLC ±		CAGE CODE	
		ANGLES ±		DRAWING NO 番号	
FINISH 仕上		±		A3 00779	
		CUSTOMER DRAWING		G-1903015	
		WEIGHT		RESTRICTED TO	
		SCALE 尺度 4:1		-	
		SHEET		REV	
		12 OF 12		S3	

X-ON Electronics

Largest Supplier of Electrical and Electronic Components

Click to view similar products for [HDMI, Displayport & DVI Connectors](#) category:

Click to view products by [TE Connectivity](#) manufacturer:

Other Similar products are found below :

[1775247-3](#) [2-1932649-5](#) [30-1231](#) [30-528](#) [2069485-1](#) [30-504](#) [30-519](#) [30-542](#) [47648-2000](#) [2002-400](#) [769-103/021-000](#) [1932649-1](#) [233-368NFG6-17NH](#) [PJ-210A](#) [PJ-35825](#) [6321-026RDS1MWA02](#) [FDB0901-M0DB300K6KF](#) [3VD51203-3D6A-7H](#) [DV11201-H5R6-4F](#) [RPI-16337](#) [CC-MDPM-VGAM-6](#) [RPI-16338](#) [CCB-HDMIL-1.5M](#) [CCB-HDMIL-1M](#) [CCB-HDMIL-2M](#) [CCB-HDMIL-3M](#) [CCB-HDMIL-5M](#) [CCB-HDMIL-7.5M](#) [CCBP-HDMI-10M](#) [CCBP-HDMI-1M](#) [CCBP-HDMI-2M](#) [CCBP-HDMI-3M](#) [CCBP-HDMI-5M](#) [CCBP-HDMI-7.5M](#) [CCBP-HDMI8K-1M](#) [CCBP-HDMI8K-2M](#) [CCBP-HDMI8K-3M](#) [AK-AV-02](#) [AK-AV-03](#) [AK-AV-11](#) [AK-AV-13](#) [AK-AV-15](#) [CCP-MDP2-6](#) [CCP-MDPMDP2-6](#) [AK-HD-05A](#) [AK-HD-100A](#) [AK-HD-100P](#) [AK-HD-15P](#) [AK-HD-30A](#) [AK-HD-30P](#)