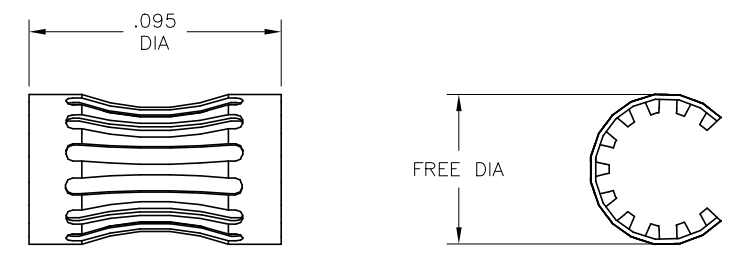


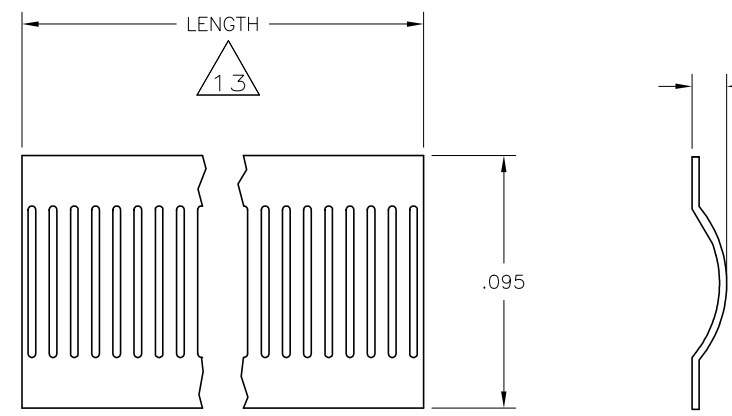
THIS DRAWING IS UNPUBLISHED. RELEASED FOR PUBLICATION
 © COPYRIGHT - By - ALL RIGHTS RESERVED.

REVISIONS					
P	LTR	DESCRIPTION	DATE	DWN	APVD
M		REVISED PER ECO-17-013721	16NOV2017	RS	MZ
N		REVISED PER ECO-18-005775	24APR2018	RS	MZ
P		REVISED PER ECO-19-005577	10APR2019	RS	MZ

LH	FREE DIA (REF)	STYLE	MAT'L (NOTE)	MATING PIN φ REF	PLATING (NOTE)	NUM LOUV	MAT'L THK	REF	PART NUMBER
[.012][.28]	A	12	6.1[.241]	3-2	28	0.10[.004]	06045	5-192047-0	OBSOLETE
[.012][.26]	A	12	5.7[.226]	3-2	26	0.10[.004]	06017	4-192047-9	OBSOLETE
[.012][.25]	A	12	5.3[.210]	3-2	24	0.10[.004]	06044	4-192047-8	OBSOLETE
[.012][.23]	A	12	4.8[.188]	3-2	22	0.10[.004]	06052	4-192047-7	OBSOLETE
[.012][.22]	A	12	4.7[.187]	UNPL	21	0.10[.004]	06021	4-192047-6	OBSOLETE
[.012][.22]	A	12	4.5[.179]	3-2	21	0.10[.004]	06043	4-192047-5	OBSOLETE
[.012][.20]	A	12	4.3[.168]	3-2	19	0.10[.004]	06016	4-192047-4	OBSOLETE
[.012][.19]	A	12	4.1[.160]	6-2	18	0.10[.004]	06065	4-192047-3	OBSOLETE
[.012][.19]	A	12	4.1[.160]	UNPL	18	0.10[.004]	06066	4-192047-2	OBSOLETE
[.012][.17]	A	12	3.7[.146]	UNPL	16	0.12[.005]	06011	4-192047-1	OBSOLETE
[.012][.17]	A	12	3.7[.146]	4-2	16	0.10[.004]	06035	4-192047-0	OBSOLETE
[.012][.17]	A	12	3.7[.146]	UNPL	16	0.10[.004]	06010	3-192047-9	OBSOLETE
[.012][.17]	A	12	3.7[.146]	UNPL	16	0.08[.003]	06009	3-192047-8	OBSOLETE
[.012][.15]	A	12	3.2[.125]	6-2	14	0.10[.004]	06064	3-192047-7	
[.012][.15]	A	12	3.2[.125]	5	14	0.10[.004]	06056	3-192047-6	
[.012][.15]	A	12	3.2[.125]	UNPL	14	0.10[.004]	06055	3-192047-5	OBSOLETE
[.012][.15]	A	12	2.9[.113]	3-2	14	0.10[.004]	06042	3-192047-4	OBSOLETE
SUPERSEDED BY 3-192047-5									
[.012][.15]	A	12	2.9[.113]	UNPL	14	0.08[.003]	06023	3-192047-3	SUPERSEDED
[.012][.11]	A	12	2.0[.080]	3-2	10	0.15[.006]	06022	3-192047-2	OBSOLETE
[.012][.11]	A	12	2.0[.080]	UNPL	10	0.15[.006]	06076	3-192047-1	OBSOLETE
[.012][.11]	A	12	2.0[.080]	UNPL	10	0.15[.006]	06075	3-192047-0	OBSOLETE
[.012][.11]	A	12	2.0[.080]	4-2	10	0.12[.005]	06074	2-192047-9	
[.012][.11]	A	12	2.0[.080]	UNPL	10	0.12[.005]	06073	2-192047-8	
[.012][.11]	A	12	2.0[.080]	3-2	10	0.10[.004]	06070	2-192047-7	
[.012][.11]	A	12	2.0[.080]	UNPL	10	0.10[.004]	06041	2-192047-6	OBSOLETE
[.012][.11]	A	12	2.0[.080]	C	9	0.10[.004]	06037	2-192047-5	
[.012][.11]	A	12	2.0[.080]	UNPL	9	0.10[.004]	06047	2-192047-4	
[.012][.09]	A	12	1.6[.062]	3-2	8	0.10[.004]	06069	2-192047-3	
[.012][.09]	A	12	1.6[.062]	UNPL	8	0.10[.004]	06008	2-192047-2	
SUPERSEDED BY 193810-2									
SUPERSEDED BY 193810-1									
[.014][.09]	A	12	1.6[.062]	6-2	7	0.10[.004]	06063	1-192047-9	
[.014][.09]	A	12	1.6[.062]	3-2	7	0.10[.004]	06068	1-192047-8	OBSOLETE
[.014][.09]	A	12	1.6[.062]	UNPL	7	0.10[.004]	06067	1-192047-7	OBSOLETE
SUPERSEDED BY 1-192047-7									
[.012][.09]	A	12	1.6[.062]	UNPL	8	0.08[.003]	06007	1-192047-5	OBSOLETE
[.012][.06]	A	12	1.0[.040]	3-2	6	0.10[.004]	06014	1-192047-4	
[.012][.06]	A	12	1.0[.040]	UNPL	6	0.10[.004]	06026	1-192047-3	OBSOLETE
[.012][.06]	A	12	0.6[.025]	3-2	4	0.10[.004]	06013	1-192047-2	OBSOLETE
[.012][.06]	A	12	0.6[.025]	UNPL	4	0.10[.004]	06025	1-192047-1	OBSOLETE
[.013][.06]	A	12	0.6[.025]	3-2	4	0.08[.003]	06027	1-192047-0	
[.013][.06]	A	12	0.6[.025]	UNPL	4	0.08[.003]	06024	1-192047-9	
[.023]	--	C	--	1-2	73	0.10[.004]	06061	1-192047-8	OBSOLETE
[.025]	--	C	--	1-2	23	0.10[.004]	06078	1-192047-7	
[.014]	--	C	--	UNPL	13	0.10[.004]	06048	1-192047-6	
[.014]	--	C	--	UNPL	13	0.10[.004]	06012	1-192047-5	
SUPERSEDED BY 192047-4									
SUPERSEDED BY 192047-3									
SUPERSEDED BY 192047-2									
SUPERSEDED BY 192047-1									



STYLE A
(FEMALE)



STYLE C
(STRIP)

- 1 FINISH-SILVER PLATE 200μIN THICK MIN.
- 2 FINISH-NICKEL PLATE 40μIN THICK MIN.
- 3 FINISH-GOLD PLATE 10μIN THICK MIN.
- 4 FINISH-GOLD PLATE 50μIN THICK MIN.
- 5 FINISH-TIN PLATE 300μIN THICK MIN.
- 6 FINISH-GOLD PLATE 20μIN THICK MIN.
- 7 FINISH-NICKEL PLATE 50μIN THICK MIN.
- 8 NOT USED.
- 9 NOT USED.
- 10 NOT USED.
- 11 PLATING NOTES ARE TO BE INTERPRETED AS FOLLOWS FOLLOWS, 3-2 AS 3 OVER 2.
- 12 MATERIAL-CDA172, BeCu.
- 13 PRODUCT IS SOLD BY THE FOOT.
- 14 PRELIMINARY PART NUMBER.

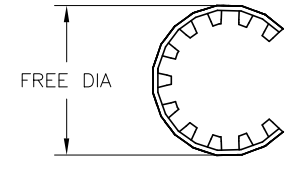
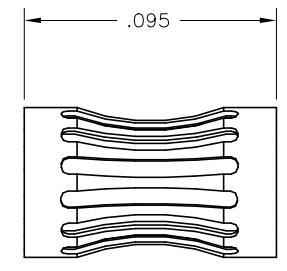
THIS DRAWING IS A CONTROLLED DOCUMENT.

DWN	RA JAYNE	06-11-92	TE Connectivity Ltd.			
CHK	RA JAYNE	06-11-92				
APVD						
DIMENSIONS: INCHES			PRODUCT SPEC			
TOLERANCES UNLESS OTHERWISE SPECIFIED:			APPLICATION SPEC			
0 PLC	±	-	SIZE	CAGE CODE	DRAWING NO	RESTRICTED TO
1 PLC	±	-	WEIGHT	A2	00779	C-192047
2 PLC	±	0.5	CUSTOMER DRAWING			
3 PLC	±	0.25	SCALE	20:1	SHEET	1 of 2
4 PLC	±	-	REV	P		
ANGLES	±	-				

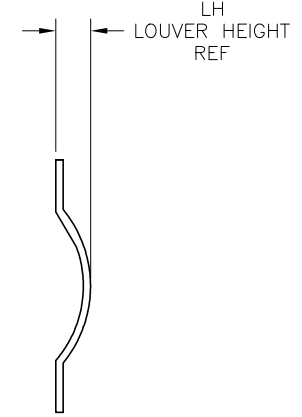
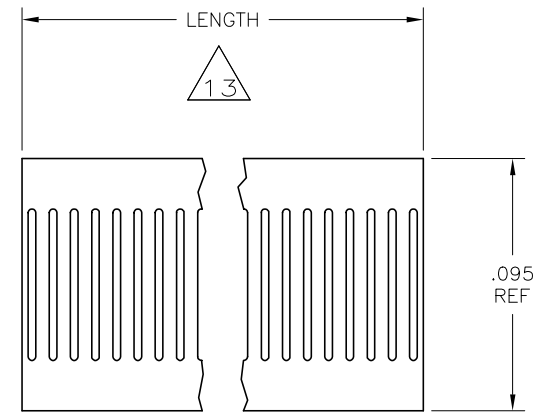
THIS DRAWING IS UNPUBLISHED. RELEASED FOR PUBLICATION
 © COPYRIGHT - By - ALL RIGHTS RESERVED.

REVISIONS				
P	LTR	DESCRIPTION	DATE	APVD
-	-	SEE SHEET 1	-	-

LH	FREE DIA (REF)	STYLE	MAT'L (NOTE)	MATING PIN ϕ REF	PLATING	NUM LOUV	MATL THK	REF	PART NUMBER
[.012]	[.33]	A	12	6.5[.256]	1-2	29	0.10[.004]	--	9-192047-0
[.012]	[.33]	A	12	6.5[.256]	3-2	29	0.10[.004]	--	8-192047-9
[.012]	[.13]	A	12	2.54[.100]	17-2	12	0.10[.004]	--	8-192047-8
[.014]	[.38]	A	12	7.9[.313]	3-2	35	0.10[.004]	--	8-192047-7
[.012]	[.06]	A	12	1.0[.040]	5-2	6	0.10[.004]	--	8-192047-6
[.023]	--	C	12	--	2	35	0.10[.004]	--	8-192047-5
[.023]	--	C	12	--	2	--	0.10[.004]	--	8-192047-4
[.012]	[.33]	A	12	6.5[.256]	6-2	29	0.10[.004]	--	8-192047-3
[.012]	[.57]	A	12	11.9[.471]	6-2	55	0.10[.004]	--	8-192047-2
[.014]	[.09]	A	12	1.57[.062]	UNPL	6	0.10[.004]	--	8-192047-1
[.014]	[.09]	A	12	1.57[.062]	3-2	6	0.10[.004]	--	8-192047-0
[.025]	--	C	12	--	UNPL	23	0.10[.004]	--	7-192047-9
[.012]	[.43]	A	12	10.1[.400]	UNPL	45	0.10[.004]	--	7-192047-8
[.012]	[.40]	A	12	8.7[.342]	UNPL	39	0.10[.004]	--	7-192047-7
[.012]	[.36]	A	12	7.2[.284]	UNPL	32	0.10[.004]	--	7-192047-6
[.012]	[.29]	A	12	6.5[.256]	UNPL	29	0.10[.004]	--	7-192047-5
[.012]	[.28]	A	12	6.1[.241]	UNPL	28	0.10[.004]	--	7-192047-4
[.012]	[.26]	A	12	5.7[.226]	UNPL	26	0.10[.004]	--	7-192047-3
[.012]	[.25]	A	12	5.3[.210]	UNPL	24	0.10[.004]	--	7-192047-2
[.012]	[.23]	A	12	4.8[.188]	UNPL	22	0.10[.004]	--	7-192047-1
[.012]	[.20]	A	12	4.3[.168]	UNPL	19	0.10[.004]	--	7-192047-0
[.023]	--	C	12	--	UNPL	--	0.10[.004]	--	6-192047-9
[.012]	[.06]	A	12	1.0[.040]	4-7	6	0.10[.004]	--	6-192047-8
NO DATA									6-192047-7
NO DATA									6-192047-6
NO DATA									6-192047-5
NO DATA									6-192047-4
[.012]	[.43]	A	12	1.0[.040]	4-2	45	0.10[.004]	06085	6-192047-3
								06800	6-192047-2
								06801	6-192047-1
								06078	6-192047-0
								06054	5-192047-9
								06053	5-192047-8
[.012]	[.52]	A	12	12.7[.500]	UNPL	55	0.10[.004]	06057	5-192047-7
[.012]	[.43]	A	12	10.1[.400]	3-2	45	0.10[.004]	06020	5-192047-6
[.012]	[.40]	A	12	8.7[.342]	3-2	39	0.10[.004]	06019	5-192047-5
[.012]	[.36]	A	12	7.2[.284]	3-2	32	0.10[.004]	06018	5-192047-4
[.012]	[.35]	A	12	6.9[.272]	6-2	31	0.10[.004]	06046	5-192047-3
[.012]	[.35]	A	12	6.9[.272]	UNPL	31	0.10[.004]	06077	5-192047-2
[.012]	[.33]	A	12	6.5[.256]	4-2	29	0.10[.004]	06040	5-192047-1



STYLE A
(FEMALE)



STYLE C
(STRIP)

- $\triangle 15$ CUT TO LENGTH OF 25mm.
- $\triangle 16$ OBSOLETE PART NUMBER.
- 17 FINISH: GOLD PLATE 30 MIN THICK MIN.
- $\triangle 18$ OBSOLETE PARTS: OBSOLETE CIS STREAMLINING PER D.RENAUD/D.SINISI

THIS DRAWING IS A CONTROLLED DOCUMENT.		DWN RA JAYNE 06-11-92	TE Connectivity Ltd.	
		CHK RA JAYNE 06-11-92		
DIMENSIONS: INCHES		APVD -	NAME CONTACT BAND,FEMALE	
TOLERANCES UNLESS OTHERWISE SPECIFIED:		PRODUCT SPEC -	APPLICATION SPEC -	
0 PLC \pm - 1 PLC \pm - 2 PLC \pm .02 3 PLC \pm .010 4 PLC \pm - ANGLES \pm -		SIZE A2	CAGE CODE 00779	DRAWING NO C-192047
MATERIAL SEE TABLE		FINISH SEE TABLE	WEIGHT	RESTRICTED TO -
CUSTOMER DRAWING			SCALE 20:1	SHEET 2 OF 2

X-ON Electronics

Largest Supplier of Electrical and Electronic Components

Click to view similar products for [Heavy Duty Power Connectors](#) category:

Click to view products by [TE Connectivity](#) manufacturer:

Other Similar products are found below :

[647757-1](#) [6643411-1](#) [6646058-2](#) [6646137-1](#) [6646138-1](#) [6646479-1](#) [6646608-1](#) [6646786-1](#) [6646940-1](#) [6651091-1](#) [6651525-1](#) [6651529-1](#)
[6651788-1](#) [696475-1](#) [702-32-01109](#) [703-25-02205](#) [73000005059](#) [73000005642](#) [73080255059](#) [73080965046](#) [765-15-0080A](#) [765-16-0080B](#)
[765-18-0080D](#) [829992-1](#) [902-77-02113](#) [PS00/A0620/6300](#) [PS25/A0420/63](#) [129-1J](#) [1409400](#) [AN0024023](#) [E6374G1](#) [e6389g2](#) [157-43GW8](#)
[MS3117-14AC](#) [1643543-1](#) [1650540-1](#) [1651811-2](#) [1766260-1](#) [1766282-1](#) [1766966-1](#) [1791340000](#) [NLDFT-3-BL-L-S120-M40A](#) [NLDFT-N-](#)
[W-L-C240-M40B](#) [NLS-2-R-C240-M40B](#) [NLS-N-W-C240-M40B](#) [NPS-3-BL-T6](#) [1986615-1](#) [2-1589900-8](#) [2199314-1](#) [KA8102](#)