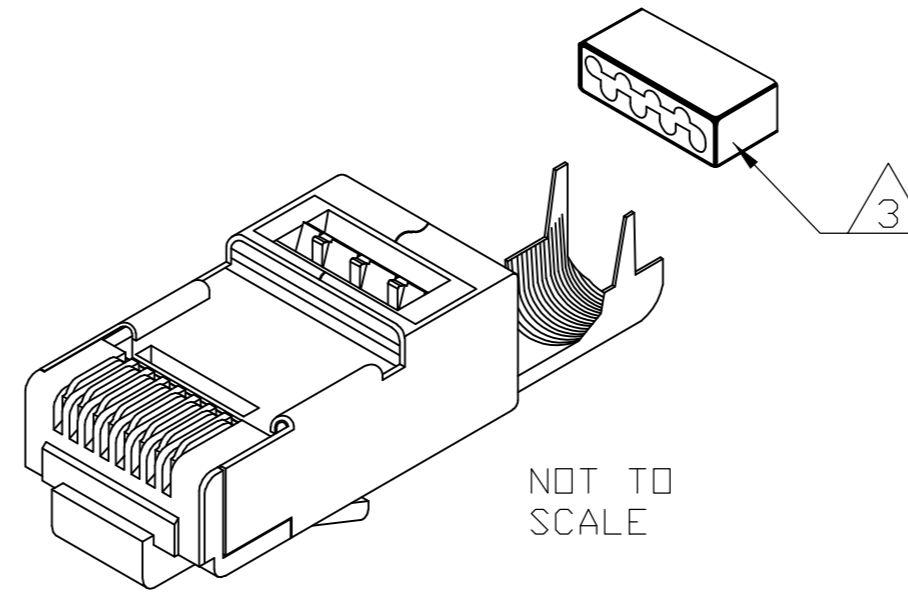
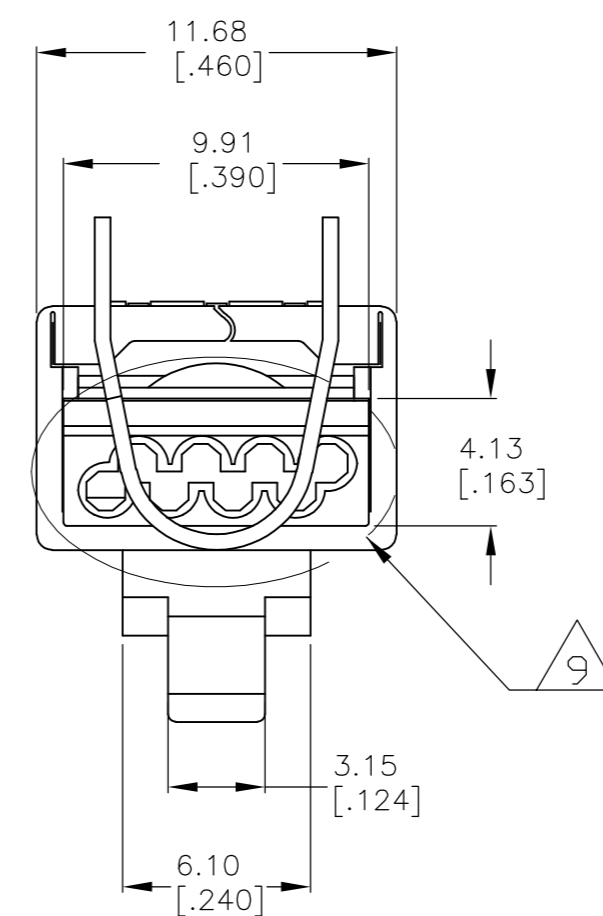
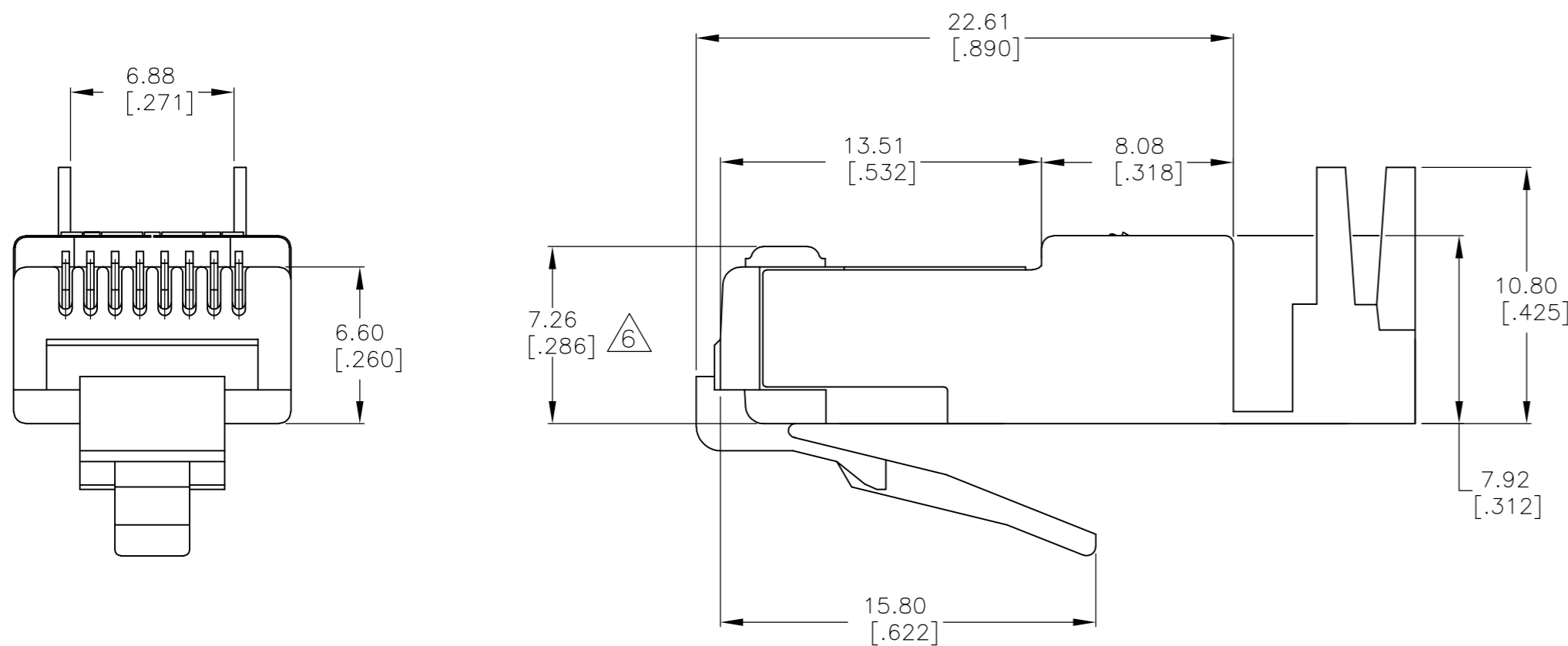
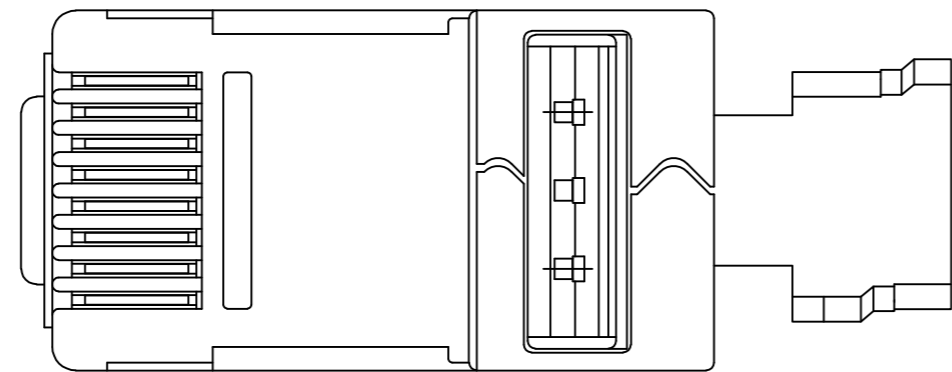


THIS DRAWING IS UNPUBLISHED. RELEASED FOR PUBLICATION
 © COPYRIGHT - By - ALL RIGHTS RESERVED.

LOC		DIST		REVISIONS			
P	LTR	DESCRIPTION		DATE	DWN	APVD	
	C	REV; ECO-15-007389		15MAY2015	GG	JG	



NOT TO SCALE



- 1 DIMENSIONS ARE NOMINAL UNLESS OTHERWISE SPECIFIED.
- 2 MATERIAL:
 PLUG: POLYCARBONATE, 94V-0 RATED
 CONTACT: PHOSPHOR BRONZE
 CONTACT PLATING: .0013 [0.00050] HARD GOLD IN CONTACT AREA OVER .0025 [0.00100] MINIMUM NICKEL UNDERPLATE.
 LOAD BAR: POLYCARBONATE 94V-0 RATED WITH CONDUCTIVE FILLER.
- 3 PRODUCT IS SHIPPED WITH CONDUCTIVE LOAD BAR.
- 4. PLUG INTERFACE DIMENSIONS CONFORM TO IEC 60603-7 SEC 3.2.3
- 5. CONDUCTOR JACKET OD RANGE 1.12/1.22 [0.044/0.048] SOLID OR STRANDED WIRE 22-28 AWG. OUTER JACKET OD RANGE 6.99/7.87 [0.275/0.310] NO LOGO ON TAB.
- 6 TERMINATED DIMENSION IS 5.89-6.15 [0.232-0.242].
- 7. ROHS COMPLIANT.
- 8. UL RECOGNIZED.
- 9 WIRE GUIDE PATTERN:
 2,4,6,8 - TOP ROW
 1,3,5,7 - BOTTOM ROW
- 10 2500 ASSEMBLIES AND 2500 LOAD BARS PER PACKAGE.
- 12 100 ASSEMBLIES AND 100 LOAD BARS PER PACKAGE.

12	5-1933433-3
10	1933433-1
PACKAGED	PART NO.

THIS DRAWING IS A CONTROLLED DOCUMENT.		DWN	J. BURWELL	05MAY2009	 TE Connectivity	
DIMENSIONS: mm [INCHES]		CHK	B. MCNEILL	05MAY2009		
TOLERANCES UNLESS OTHERWISE SPECIFIED:		APVD	B. MCNEILL	05MAY2009		
0 PLC ± - 1 PLC ± - 2 PLC ± - 3 PLC ± - 4 PLC ± - ANGLES ± - FINISH -		NAME	MODULAR PLUG, CAT 6, SHIELDED, .310 OD CABLE			
MATERIAL		PRODUCT SPEC	-		SIZE	A2
-		APPLICATION SPEC	-		CAGE CODE	00779
-		WEIGHT	-		DRAWING NO	C=1933433
-		CUSTOMER DRAWING	-		RESTRICTED TO	-
-		SCALE	2:1		SHEET	1 of 1
-		REV	C			

X-ON Electronics

Largest Supplier of Electrical and Electronic Components

Click to view similar products for [Modular Connectors / Ethernet Connectors](#) category:

Click to view products by [TE Connectivity](#) manufacturer:

Other Similar products are found below :

[8949-H88/06BLKA/SN](#) [74441-0010/BKN](#) [MP1010RX-1000](#) [MP44RX-1000](#) [PHJ-4P4C-1-V-4](#) [PHP-6P6C-5](#) [GAX-3-66](#) [GAX-8-62](#) [GDCX-PA-66-50](#) [GDCX-PN-64](#) [GDCX-PN-66](#) [GDCX-PN-66-50](#) [GDLX-A-66](#) [GDLX-N-66](#) [GDLX-S-66](#) [GDLX-S-88K](#) [GDLX-SMT-S-88](#) [GDTX-S-88-50](#) [GDX-PA-1010](#) [GLX-N-1010M-BLK](#) [GLX-S-88M-BLK](#) [GMX-N-1010](#) [GMX-S-1010](#) [GMX-S-66](#) [GMX-SMT4-N-88](#) [GPX-2-64](#) [GSGX-N-2-88](#) [GSGX-N-4-88](#) [GSX-NS2-88-3.05](#) [GSX-NS2-88-3.05-50](#) [GSX-NS-88-3.05-50](#) [PT-108A-8C-UL](#) [PT-J951-8C](#) [PTS-J531-8CS-50UL](#) [1-1775629-2](#) [A-2014-0-4](#) [GWLX-S-88-GR](#) [GWLX-S9-88-YG](#) [DC-1021-8-WH-6](#) [1300530003](#) [1324640-4](#) [RJ11FTVC2G](#) [RJ11FTVC2N](#) [RJFTVX2SA1G](#) [132764-001](#) [1413235](#) [MP88X-1000](#) [MPS88RX-5000](#) [E5288-S000K3-L](#) [E5908-15A242-L](#)