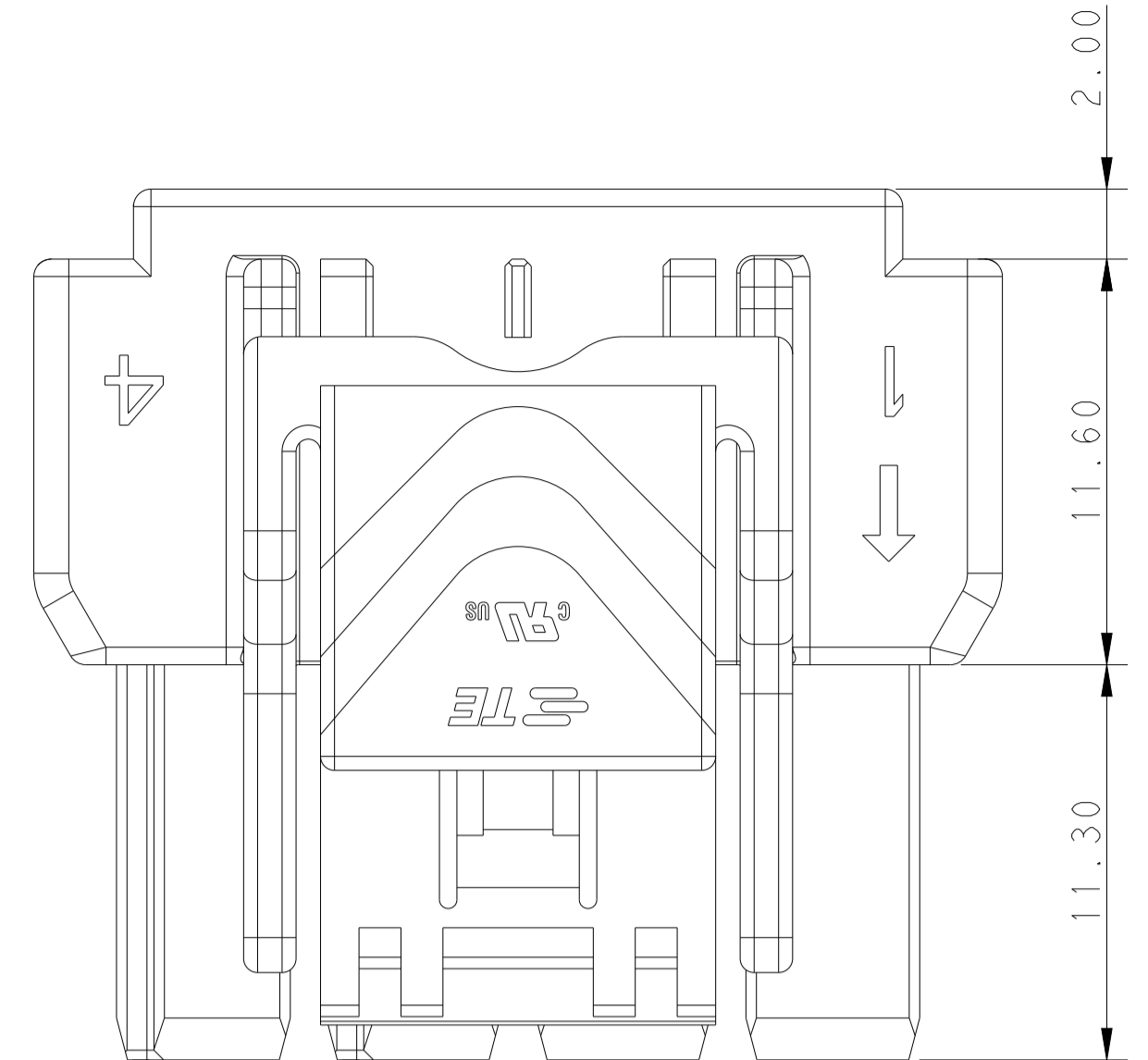
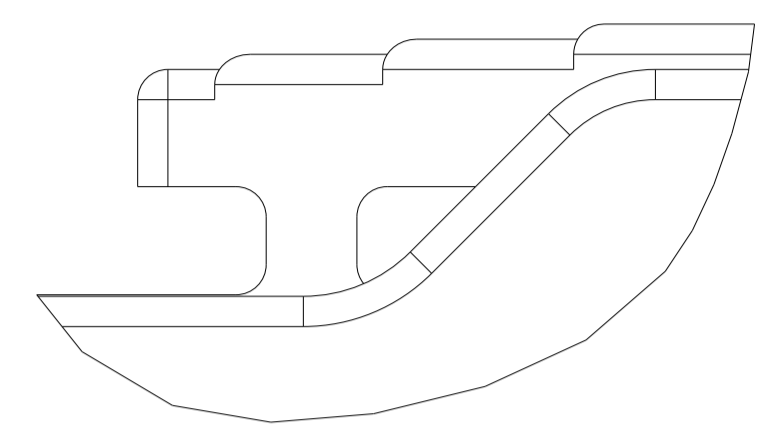


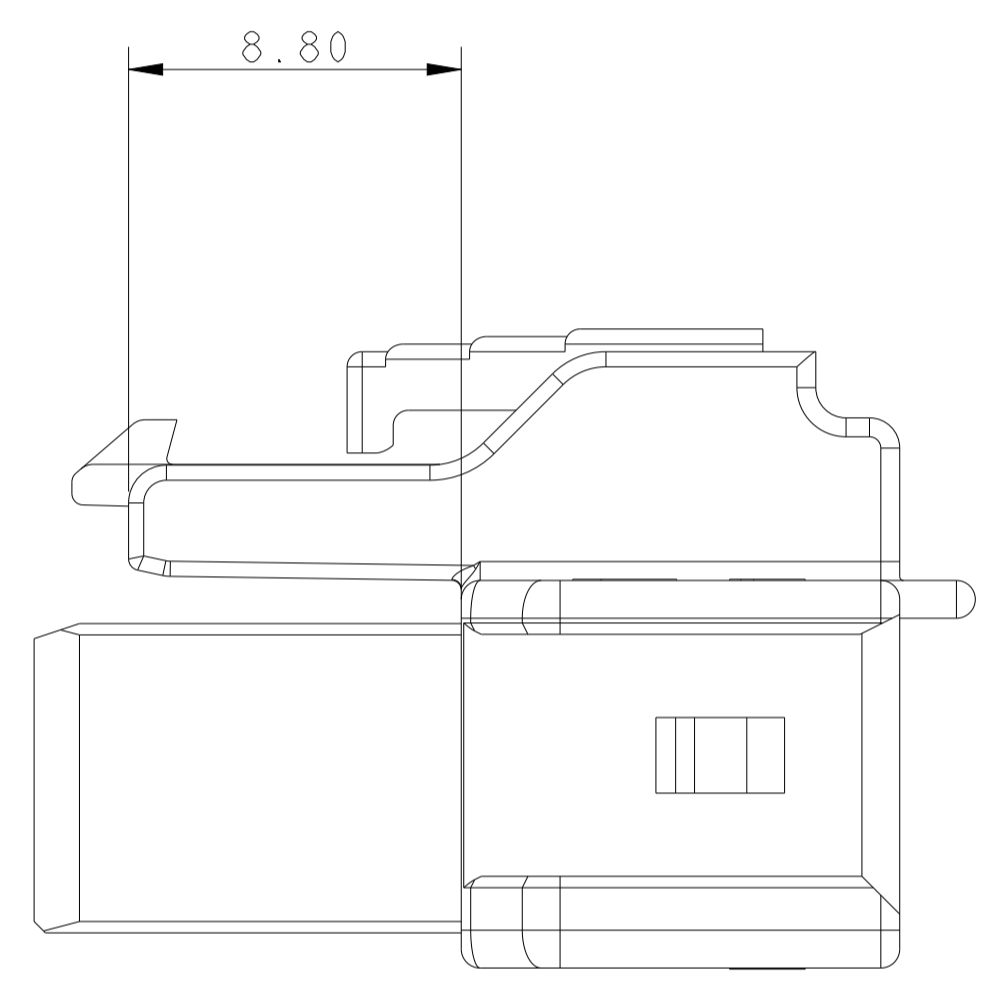
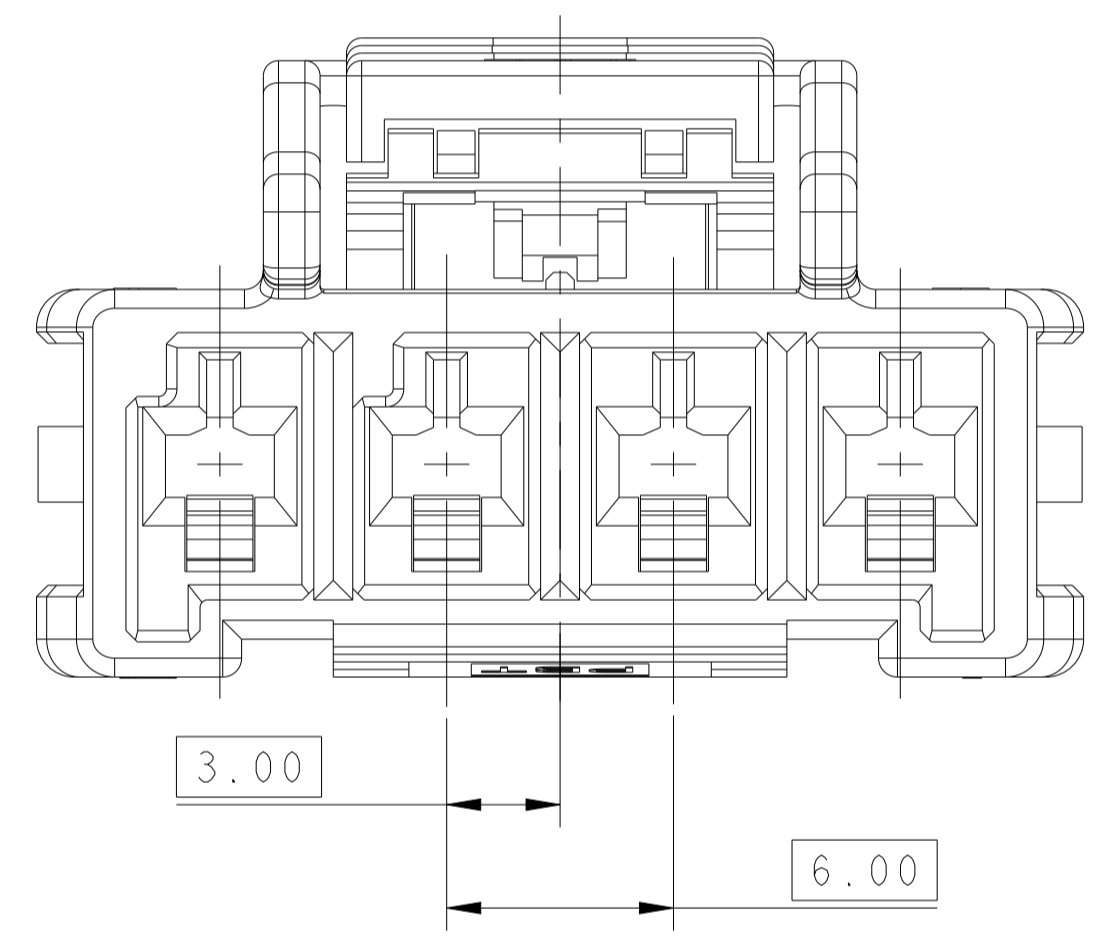
REVISONS					
P	LTN	DESCRIPTION	DATE	DWN	APVD
	G	REVISED PER ECR-21-100678	08APR2021	SS	VS



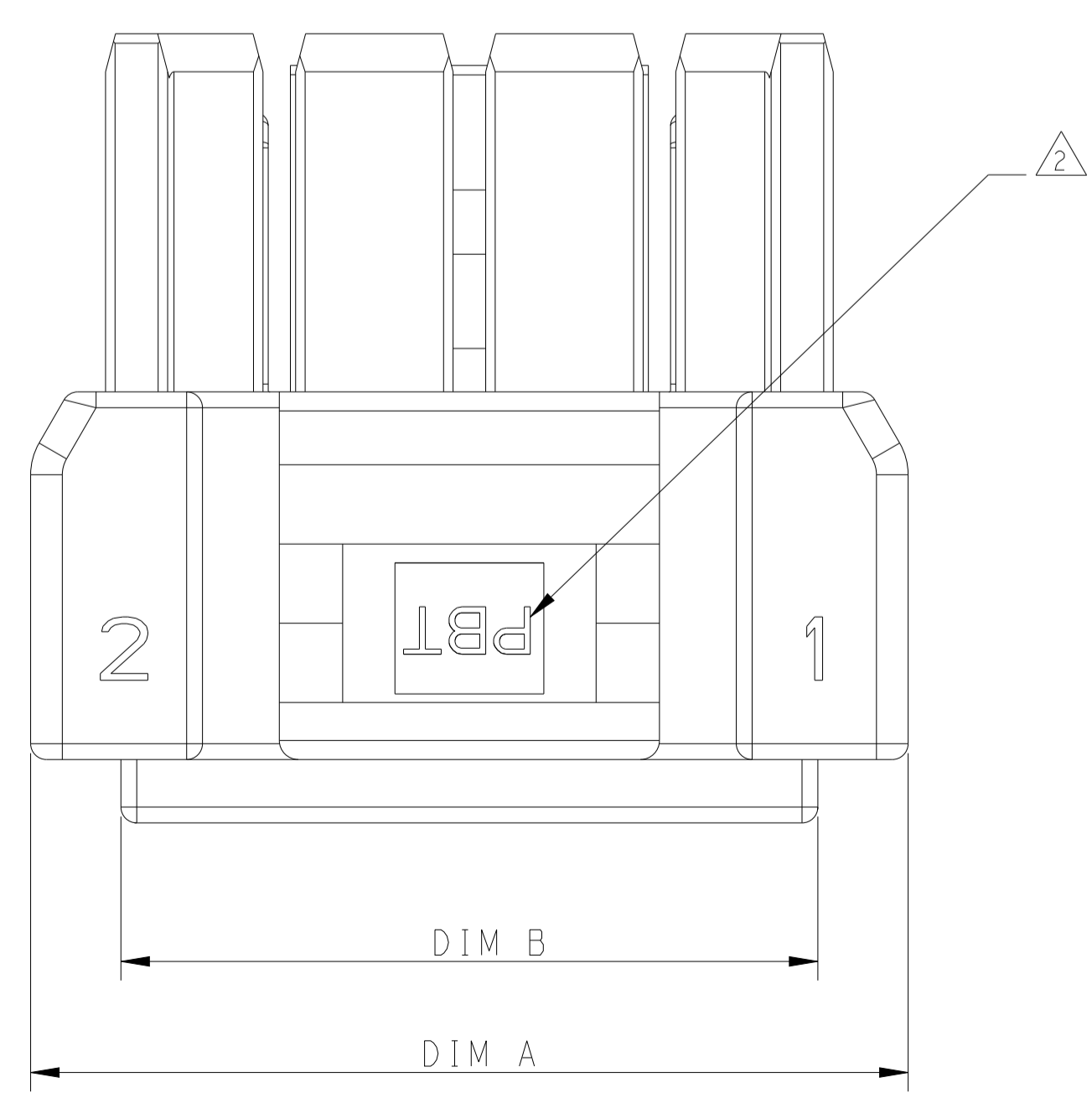
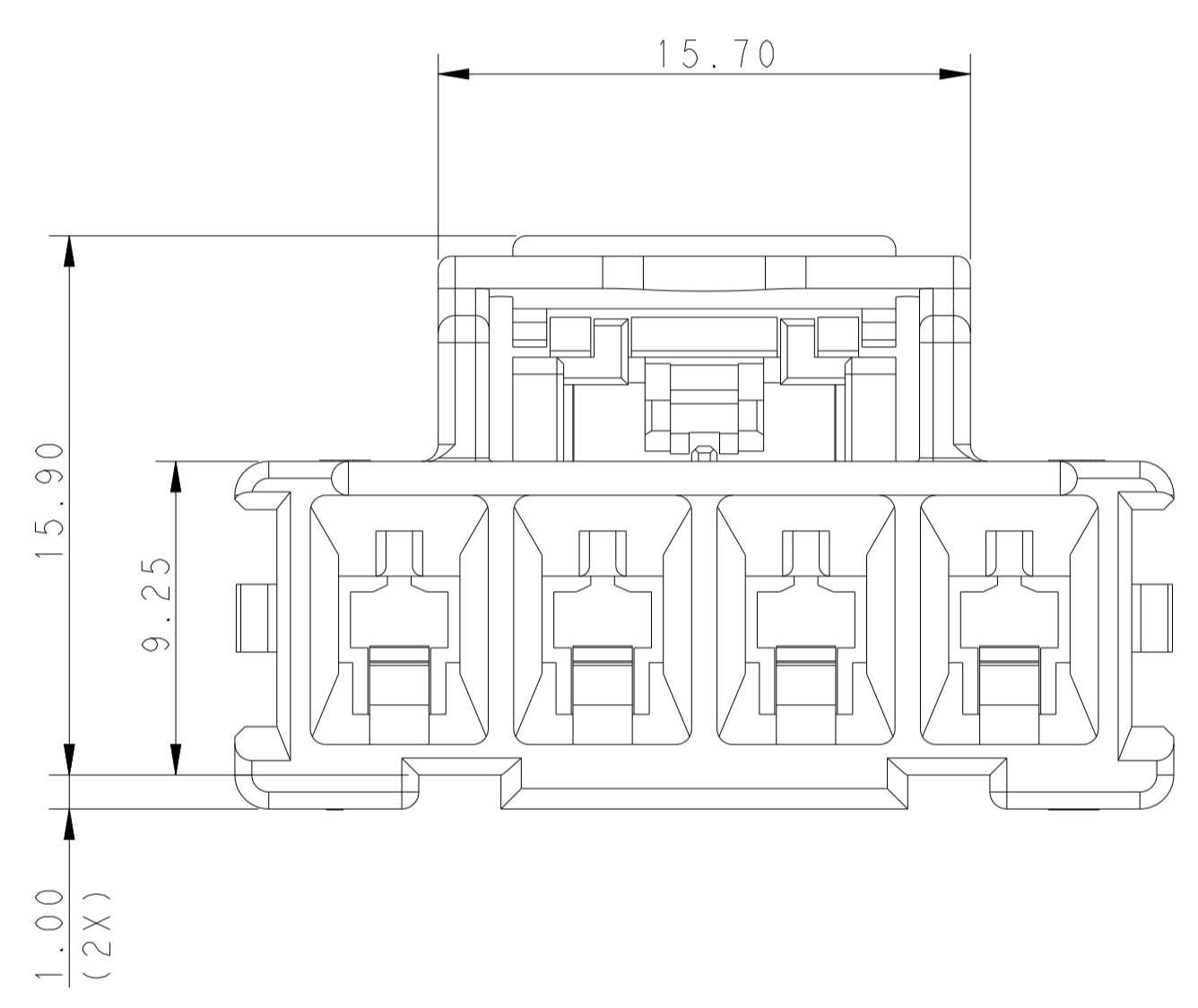
POS.	DIM. A	DIM. B
1*5	33.7	28.0
1*4	27.7	22.0
1*3	21.7	16.0
1*2	15.7	10.0



LEVEL 2 LATCH DESIGN



LEVEL 1 LATCH DESIGN



- △ MATERIAL:
- LEVEL 1: PBT GLASS FILLED, STANDARD TEMPERATURE 105°C
 - KEY A: NATURAL; KEY B: PURPLE; KEY C: BLUE; KEY D: YELLOW

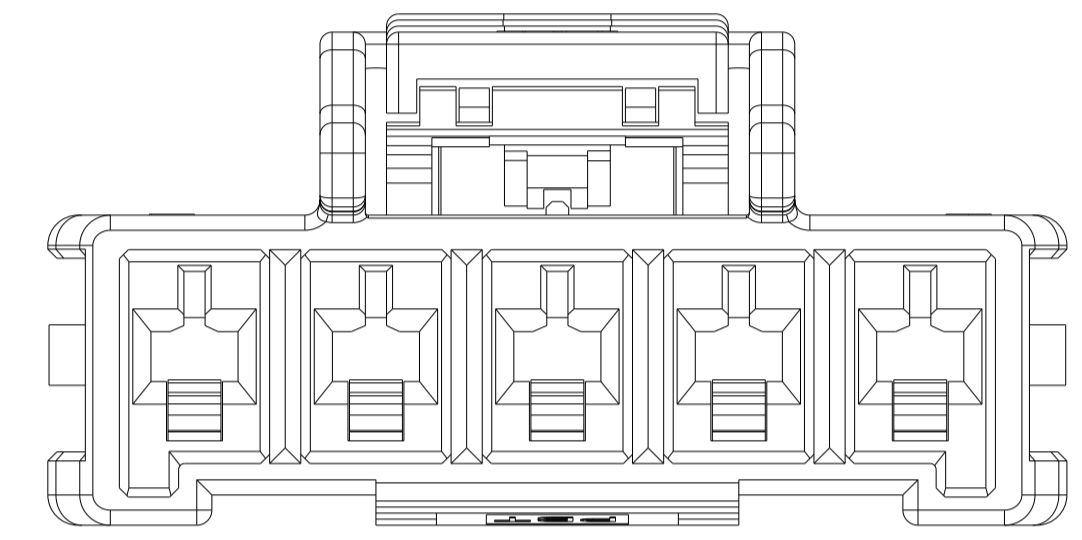
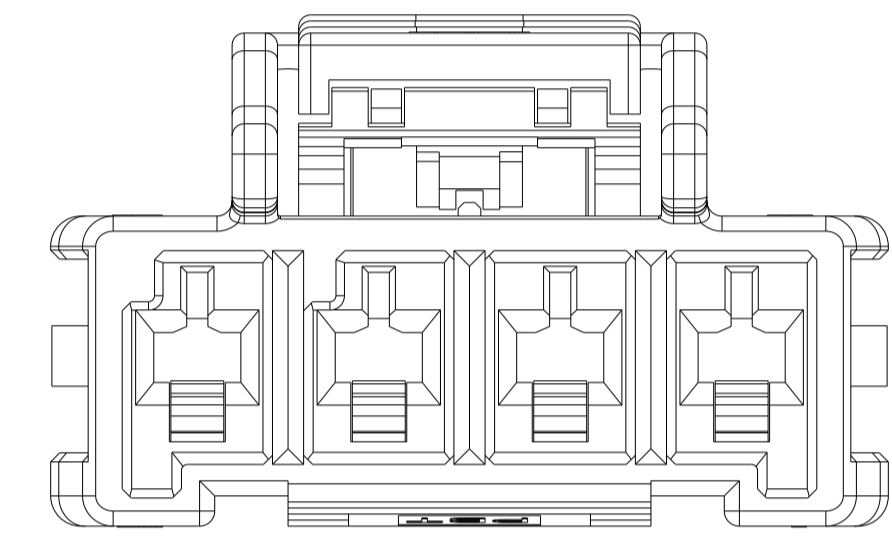
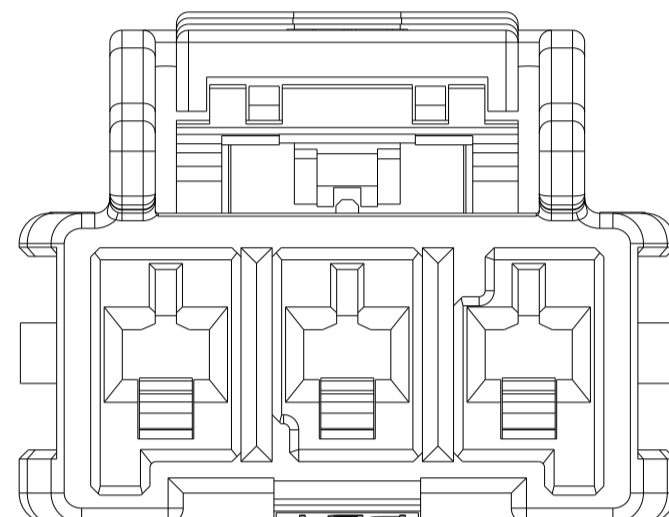
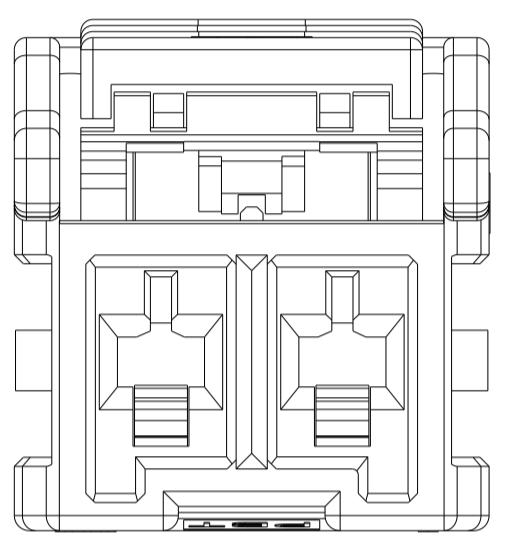
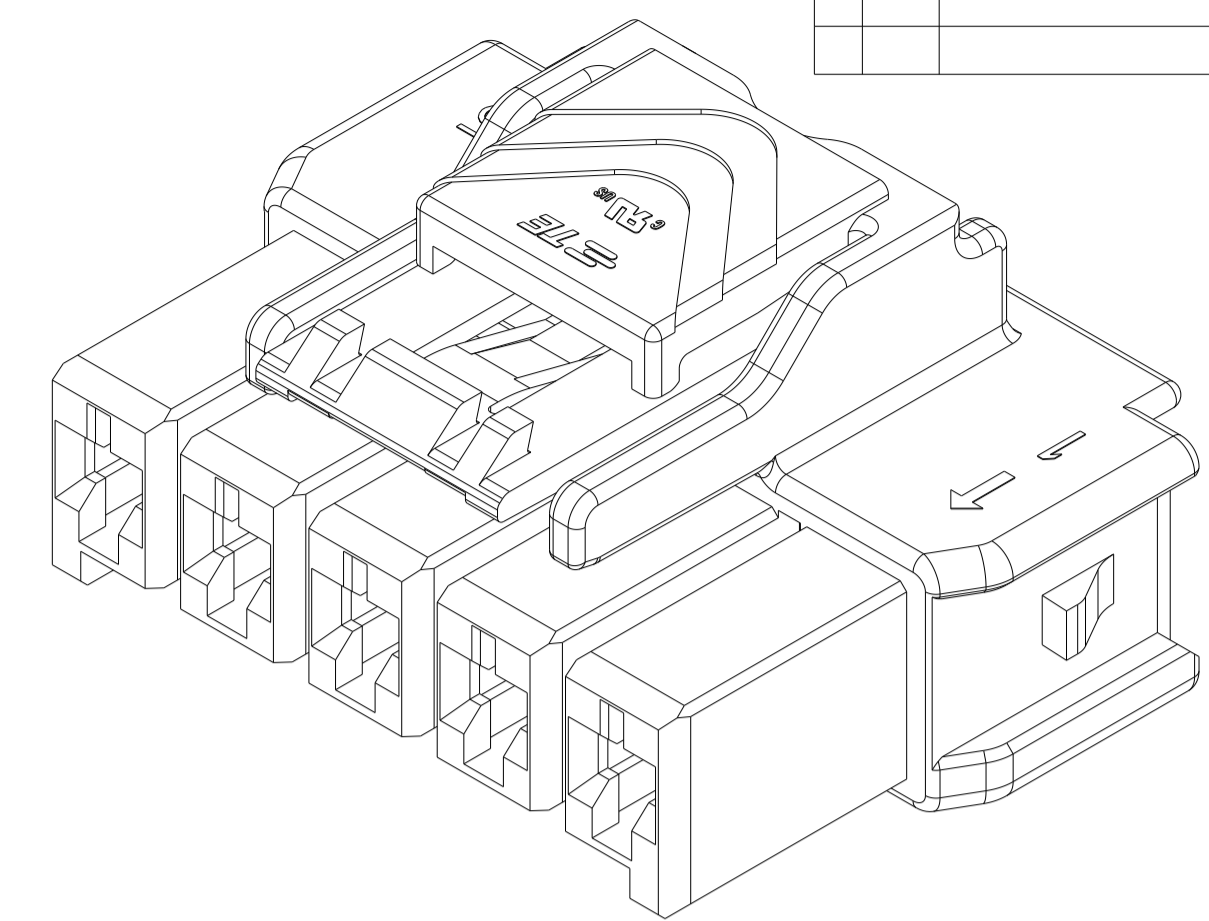
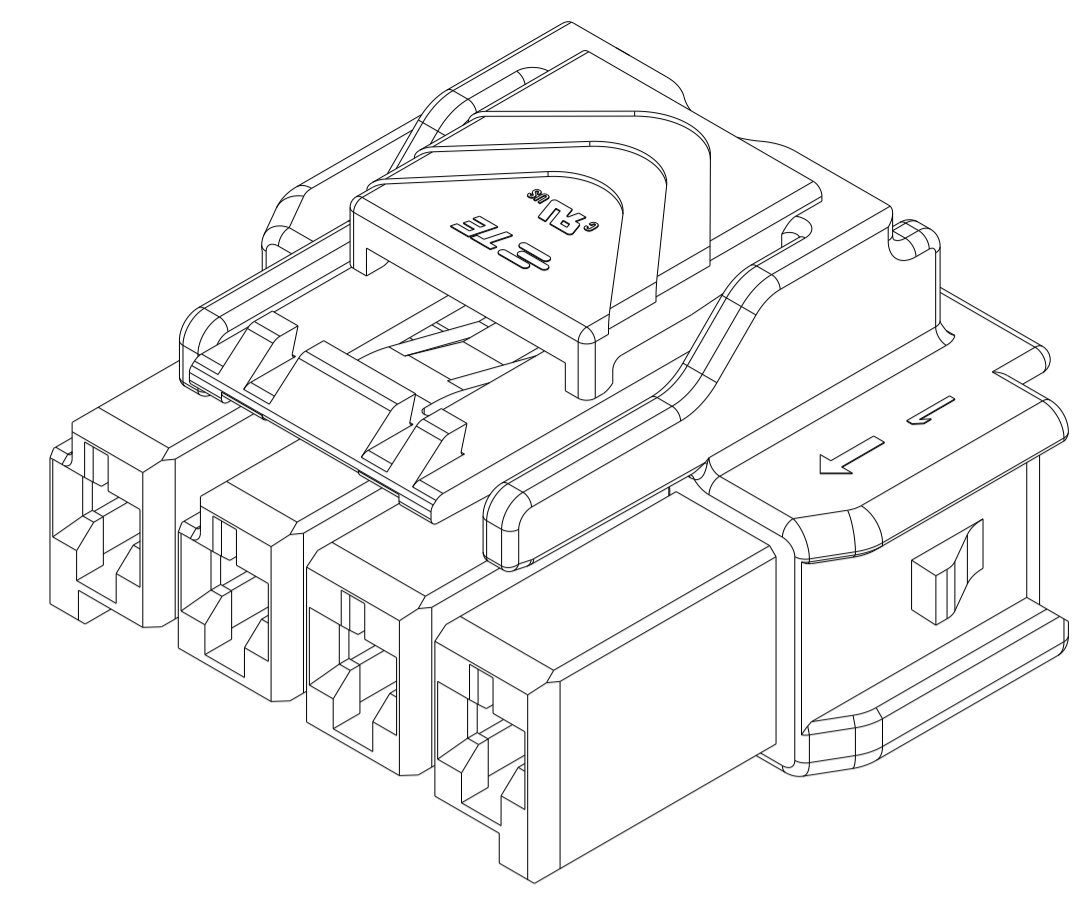
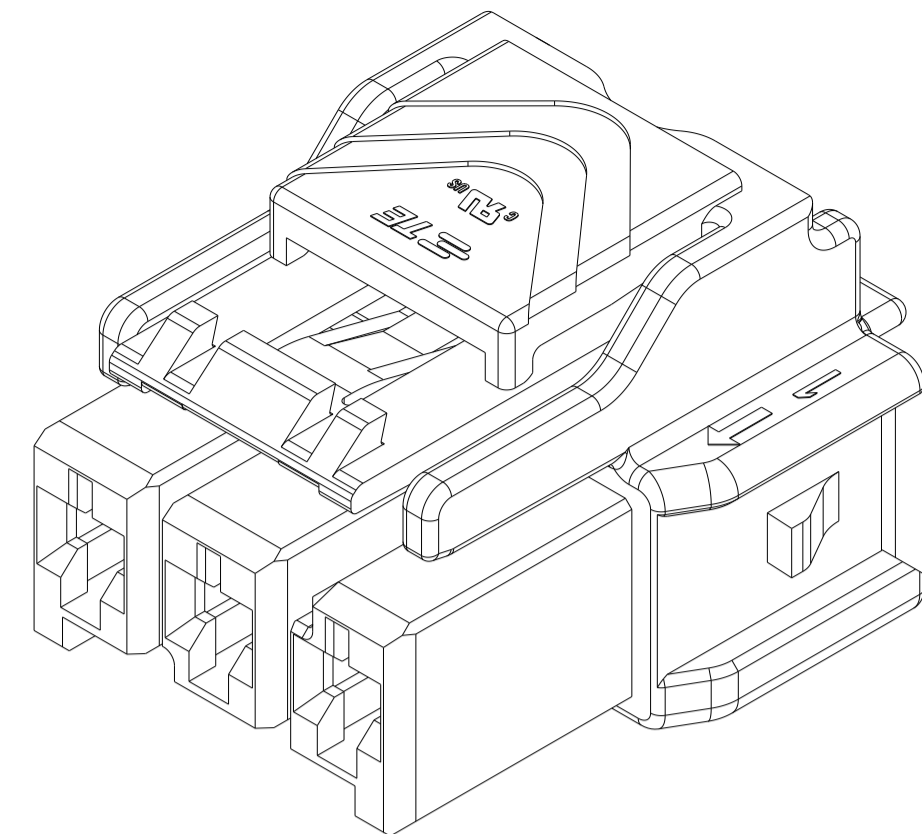
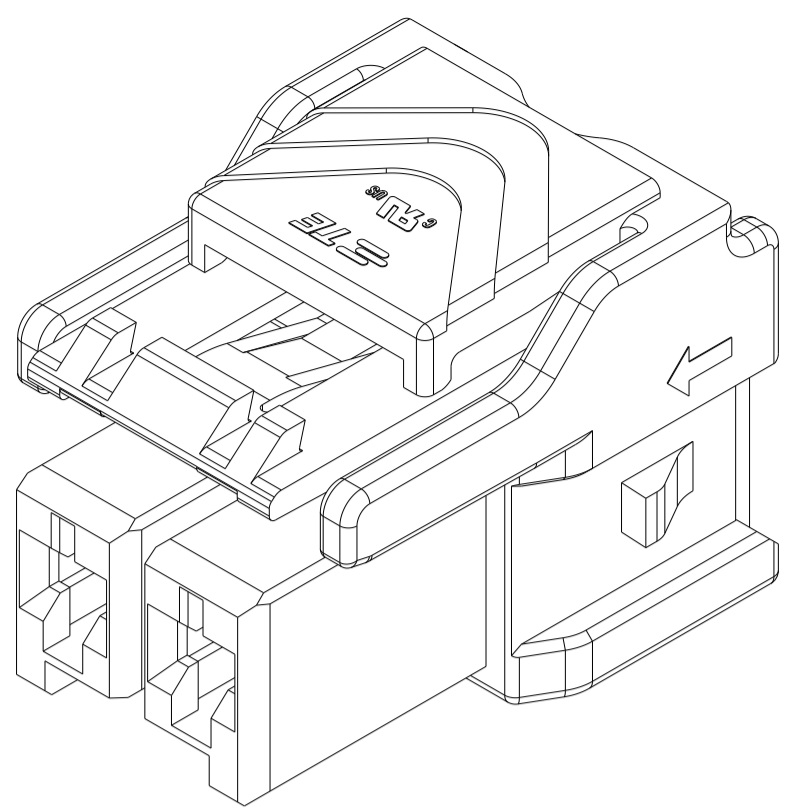
 - LEVEL 2: NYLON (PA 66), HIGH TEMPERATURE 150°C
 - KEY A: LIGHT GREY; KEY B: RED; KEY C: BLACK; KEY D: NATURAL

- △ MATERIAL MARK:
- LEVEL 1: PBT, LEVEL 2: HDT
- 3 APPLICABLE CONTACT P/N
RECEPTACLE CONTACT: 1971237/1971779/81/83/85/87-* , 2238066-*
- 4 MATING CONN, P/N
CAP HSG: *-1971772-* AND HEADERS: *-1969688-*, *-1969694-*
- TPA (LOCKING PLATE): *-1971777-*
- 5 FLAMMABILITY RATED UL94 V-0

- △ GLOW WIRE COMPLIANT IN ACCORDANCE WITH IEC 60335-1
THIS IS BASED ON THE PRODUCT MEETING A GWEPT 850°C TEST
AND A RESIN GWIT >=775°C

THIS DRAWING IS A CONTROLLED DOCUMENT.		DWN	TOMMY_WU	09JUL2012	TE Connectivity	
DIMENSIONS:		CHK	HAPYE_WU	09JUL2012	PLUG HOUSING, SINGLE ROW POWER TRIPLE LOCK	
mm		APVD	YUZHONG_MAO	09JUL2012	PRODUCT SPEC	
TOLERANCES UNLESS OTHERWISE SPECIFIED:		PRODUCT SPEC		SIZE		
0 PLC ±0.35		APPLICATION SPEC		CAGE CODE DRAWING NO		
2 PLC ±0.25		114-106118		RESTRICTED TO		
3 PLC ±0.15		108-106118		A1 00779 C=1971773		
4 PLC ±0.15		114-106118		SCALE		
ANGLES ±0.1		WEIGHT		5:1 SHEET 1 OF 2 REV G		
FINISH		Customer Drawing				

LOC	DIST	REVISIONS			
P	LTN	DESCRIPTION	DATE	OWN	APVD
-	-	SEE SHEET 1	-	-	-

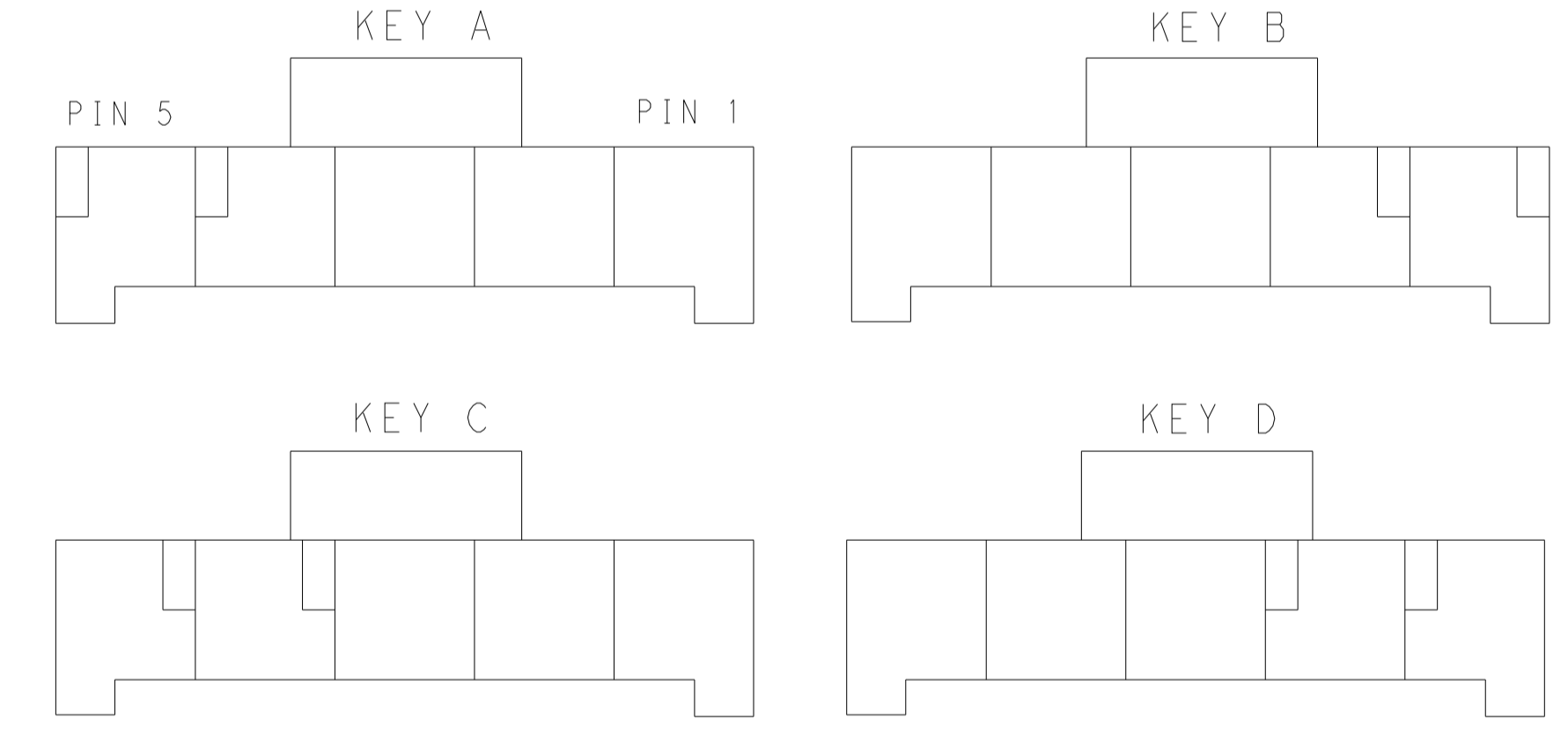
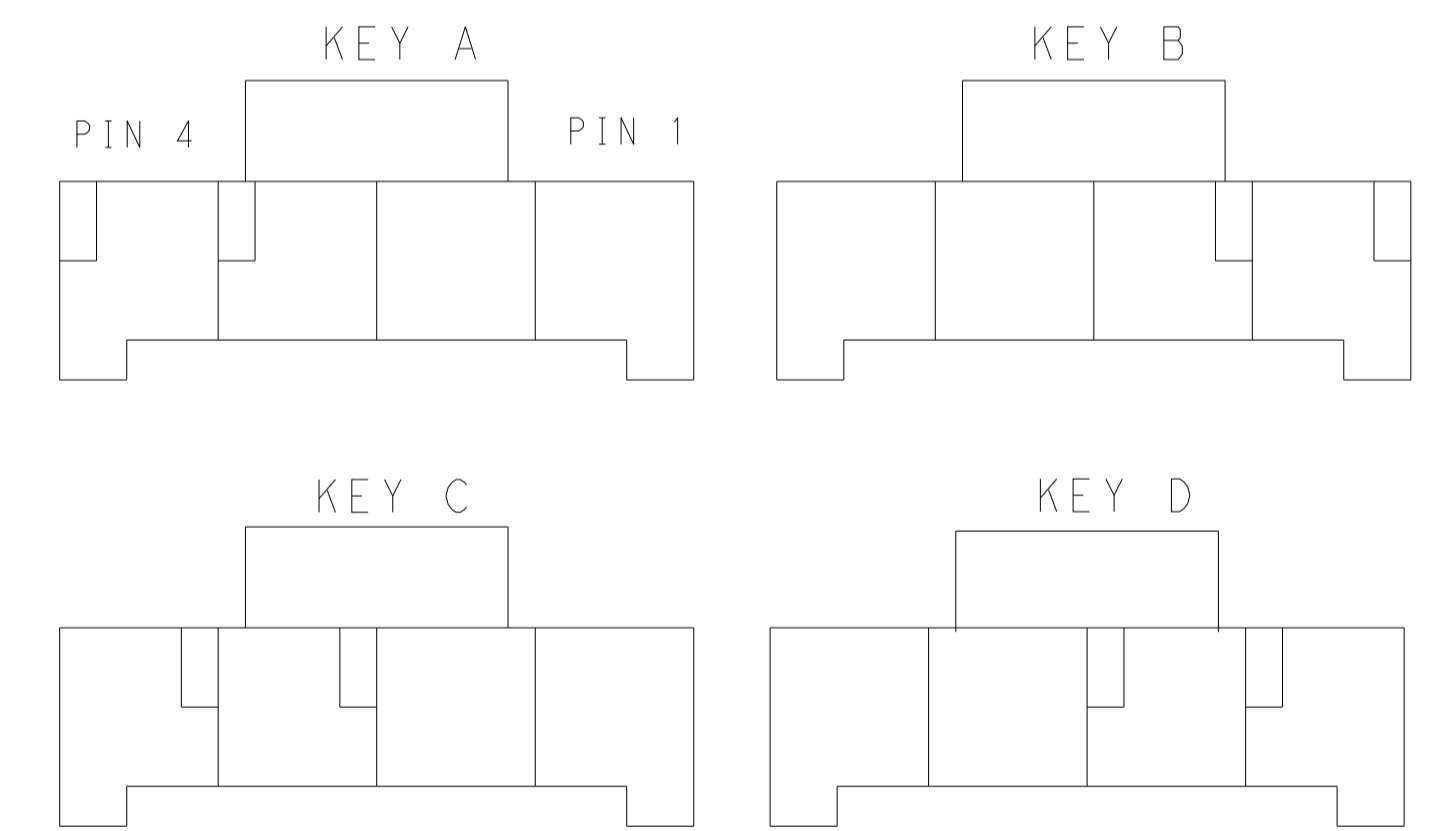
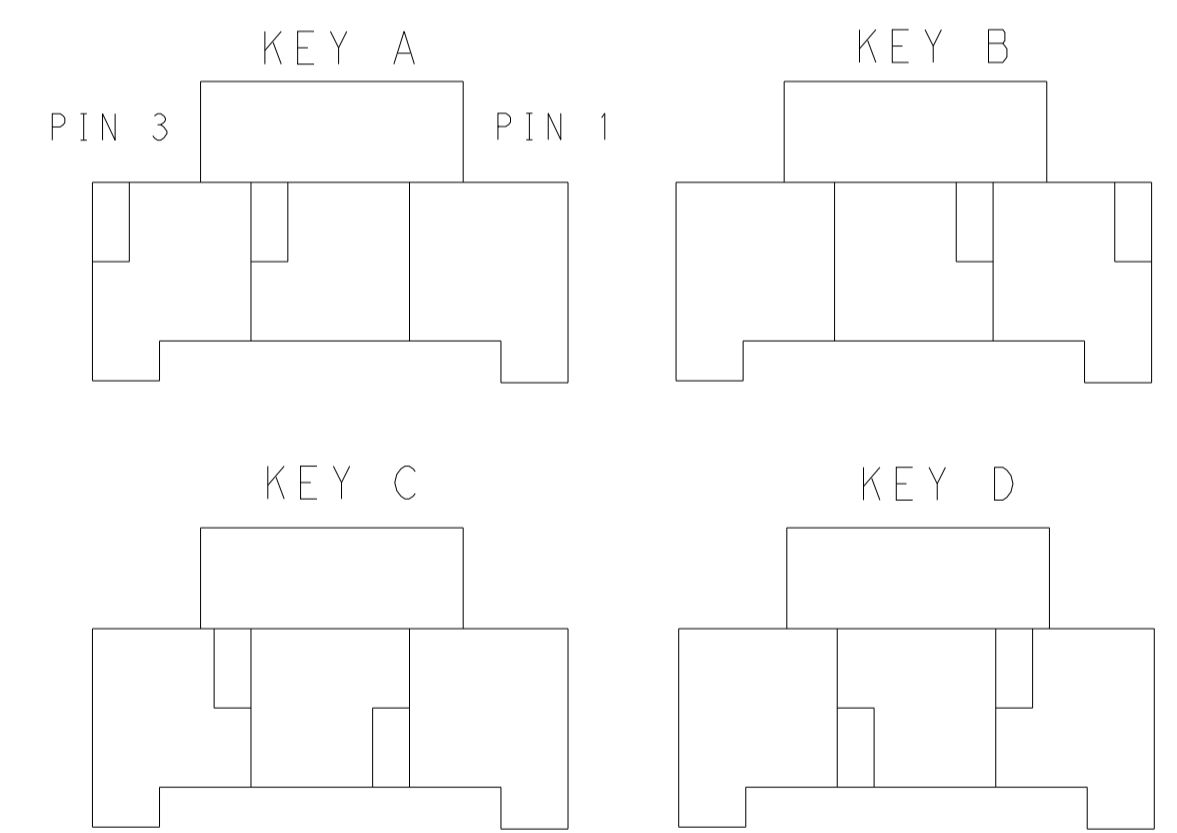
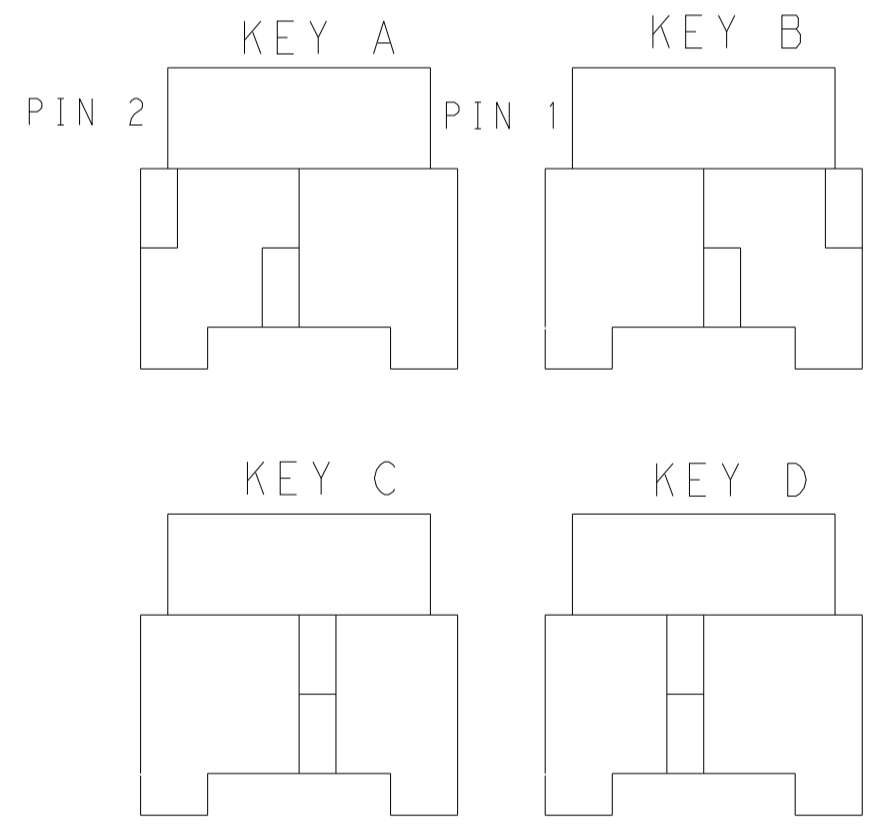


1*2 POSITIONS

1*3 POSITIONS

1*4 POSITIONS

1*5 POSITIONS



KEYING FOR 1*2 POS.

KEYING FOR 1*3 POS.

KEYING FOR 1*4 POS.

KEYING FOR 1*5 POS.

POS.	MATERIAL	KEY	P/N
1*3	LEVEL 1	KEY A	1-1971773-3
		KEY B	2-1971773-3
		KEY C	3-1971773-3
		KEY D	4-1971773-3
	LEVEL 2 △6	KEY A	5-1971773-3
		KEY B	6-1971773-3
		KEY C	7-1971773-3
		KEY D	8-1971773-3
1*2	LEVEL 1	KEY B	2-1971773-2
		KEY C	3-1971773-2
		KEY D	4-1971773-2
		KEY A	1-1971773-2
	LEVEL 2 △6	KEY A	9-1971773-2
		KEY B	6-1971773-2
		KEY C	7-1971773-2
		KEY D	8-1971773-2

POS.	MATERIAL	KEY	P/N
1*5	LEVEL 1	KEY A	1-1971773-7
		KEY B	2-1971773-7
		KEY C	3-1971773-7
		KEY D	4-1971773-7
	LEVEL 2 △6	KEY A	5-1971773-7
		KEY B	6-1971773-7
		KEY C	7-1971773-7
		KEY D	8-1971773-7
1*4	LEVEL 1	KEY B	2-1971773-4
		KEY C	3-1971773-4
		KEY D	4-1971773-4
		KEY A	1-1971773-4
	LEVEL 2 △6	KEY A	5-1971773-4
		KEY B	6-1971773-4
		KEY C	7-1971773-4
		KEY D	8-1971773-4

THIS DRAWING IS A CONTROLLED DOCUMENT.

DIMENSIONS:	TOLERANCES UNLESS OTHERWISE SPECIFIED:	OWN: TOMMY WU 09JUL2012	CHK: HAPYE WU 09JUL2012	APVD: YUHONG MAO 09JUL2012	NAME: YUHONG MAO
mm	0 PLC ±0.35 1 PLC ±0.25 2 PLC ±0.25 3 PLC ±0.25 4 PLC ±0.25 ANGLES ±0.5° FINISH	PRODUCT SPEC: 108-106118	APPLICATION SPEC: 114-106118	WEIGHT: -	SIZE: A1
MATERIAL: -	FINISH: -	Customer Drawing	SCALE: 5:1	SHEET: 2 OF 2	REV: G

STE TE Connectivity
PLUG HOUSING, SINGLE ROW
POWER TRIPLE LOCK

X-ON Electronics

Largest Supplier of Electrical and Electronic Components

Click to view similar products for [Headers & Wire Housings](#) category:

Click to view products by [TE Connectivity](#) manufacturer:

Other Similar products are found below :

[892-18-020-10-001101](#) [58102-G61-06LF](#) [582553-1](#) [0009485154](#) [009176003701906](#) [0050291907](#) [LY20-4P-DT1-P1E-BR](#) [02.125.8002.8](#)
[609-3404](#) [61062-3](#) [61082-181009](#) [622-3653LF](#) [63453-116](#) [636-1030](#) [636-1427](#) [636-3427](#) [636-4007](#) [641938-9](#) [641991-4](#) [644827-2](#) [65817-010LF](#) [65817-015LF](#) [65863-015LF](#) [66207-023LF](#) [67095-007LF](#) [67601157](#) [68645-018](#) [68648-049](#) [70.362.1628.0](#) [70-4210](#) [70-4226B](#) [70-4853B](#) [707-5020](#) [707-5028](#) [71.350.2428.0](#) [71918-208LF](#) [71961-016LF](#) [733-134](#) [733-162](#) [754199-000](#) [760-3052](#) [787-8014-00](#) [79531-3000](#)
[FCN-360C032-B](#) [FCN-367T-T012/H](#) [FCN-723D010/2](#) [80.063.4001.1](#) [800-90-001-10-001000](#) [800-90-010-10-002000](#) [801-43-002-10-013000](#)