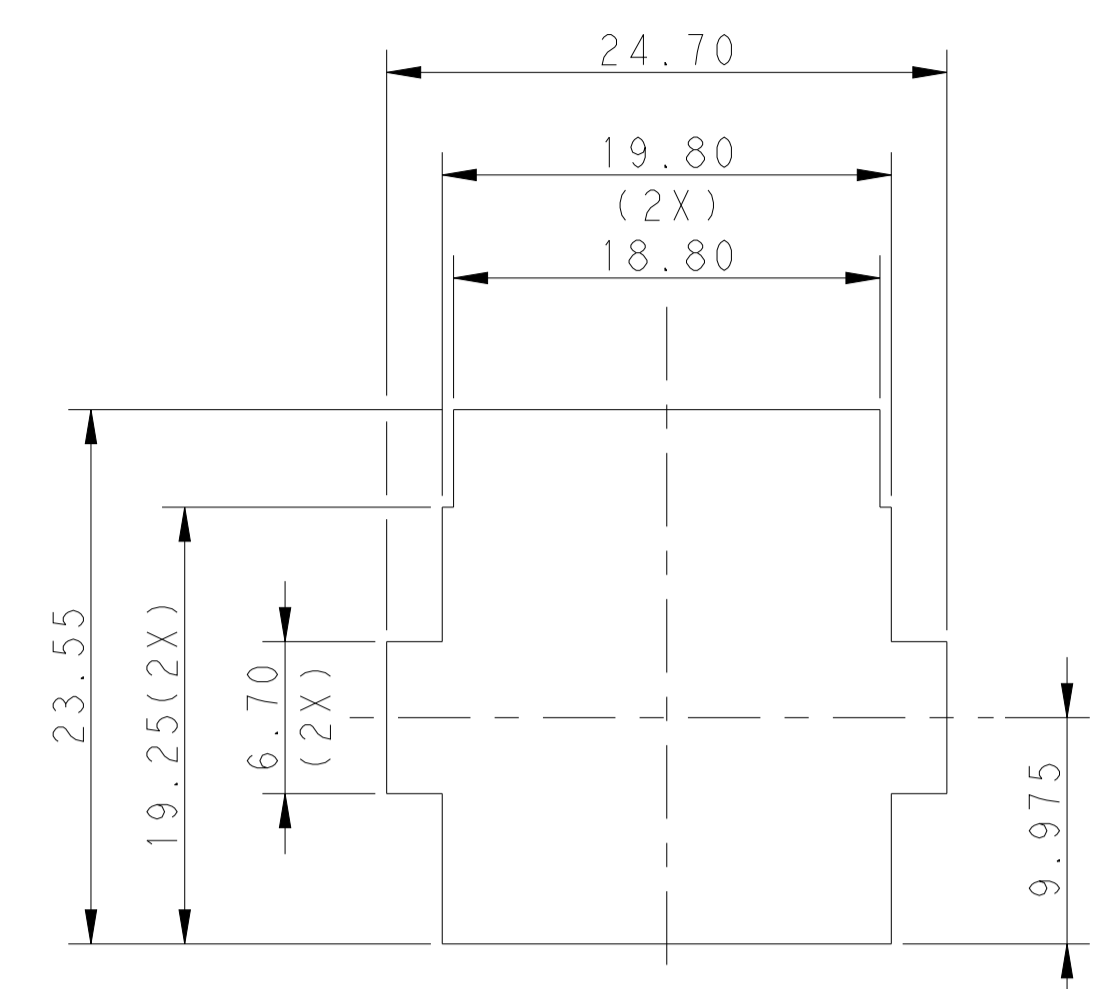
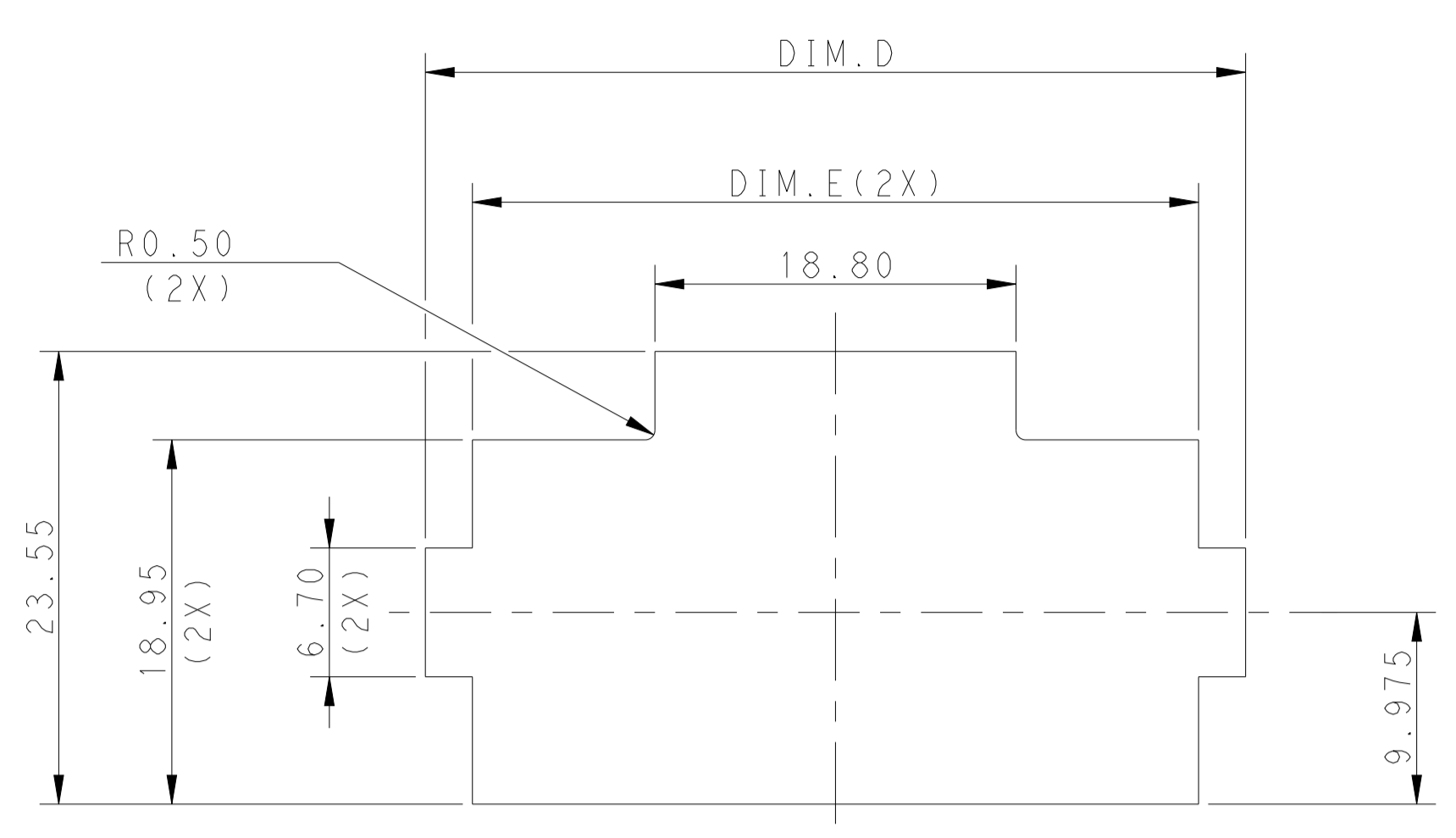
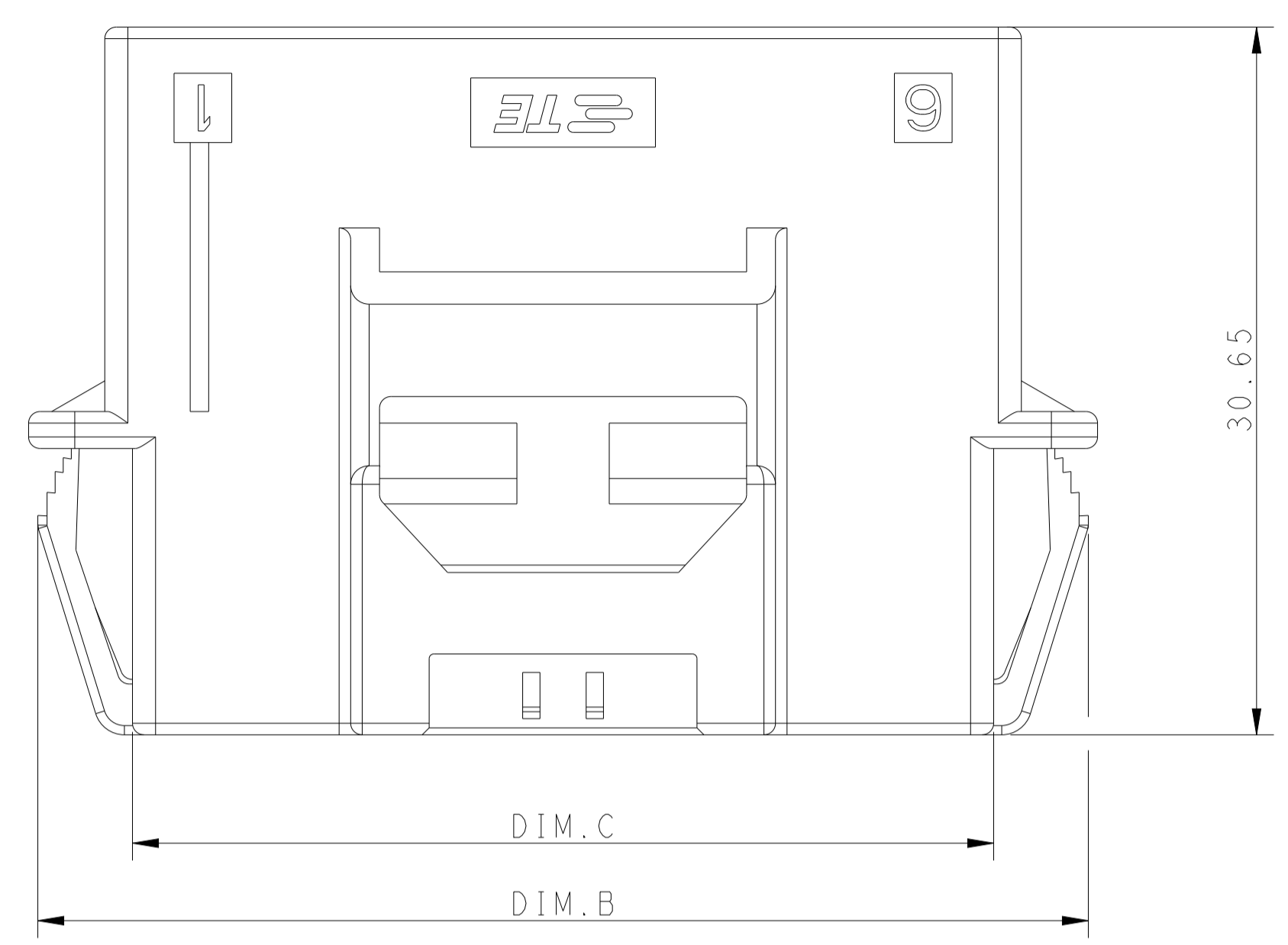
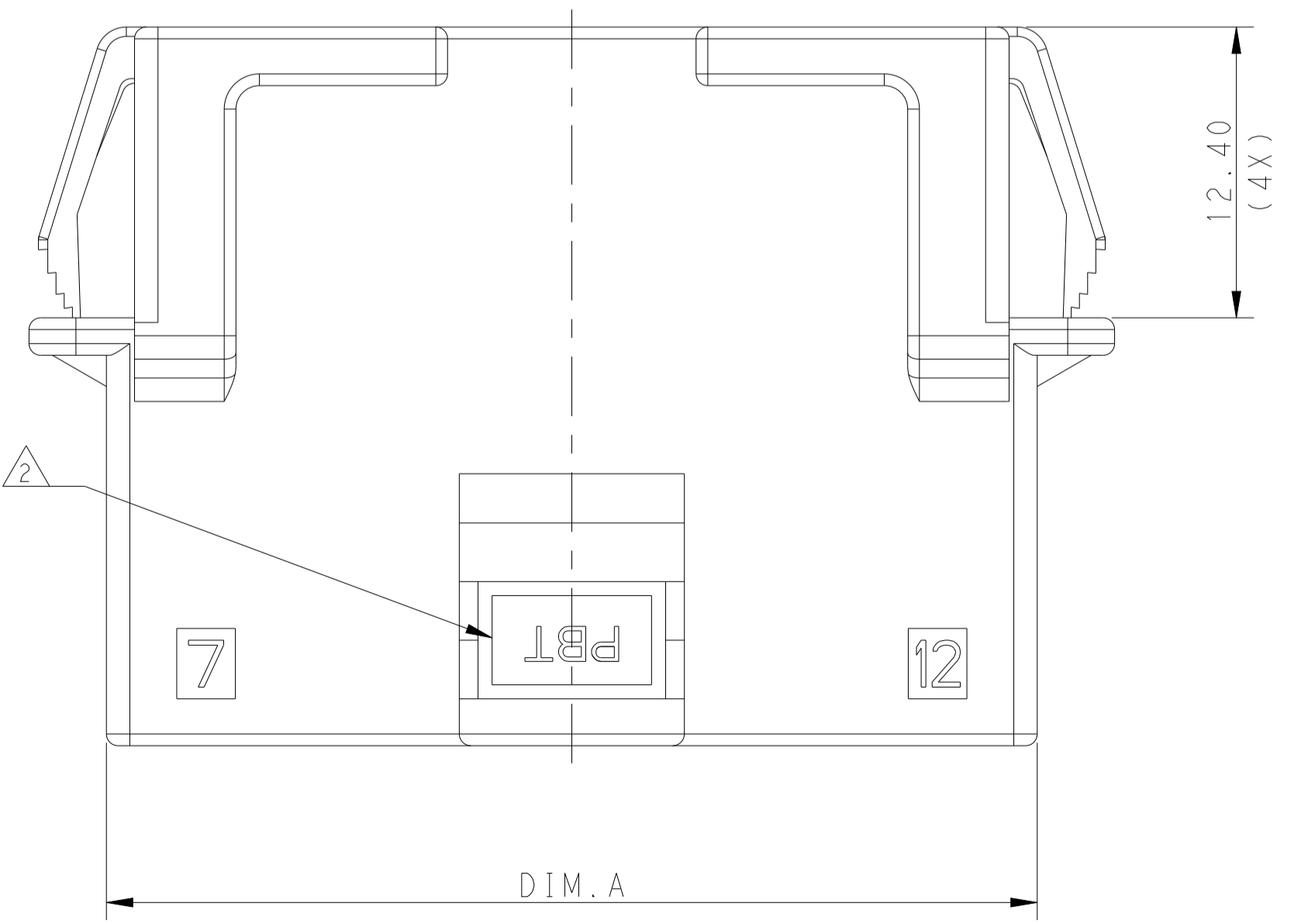
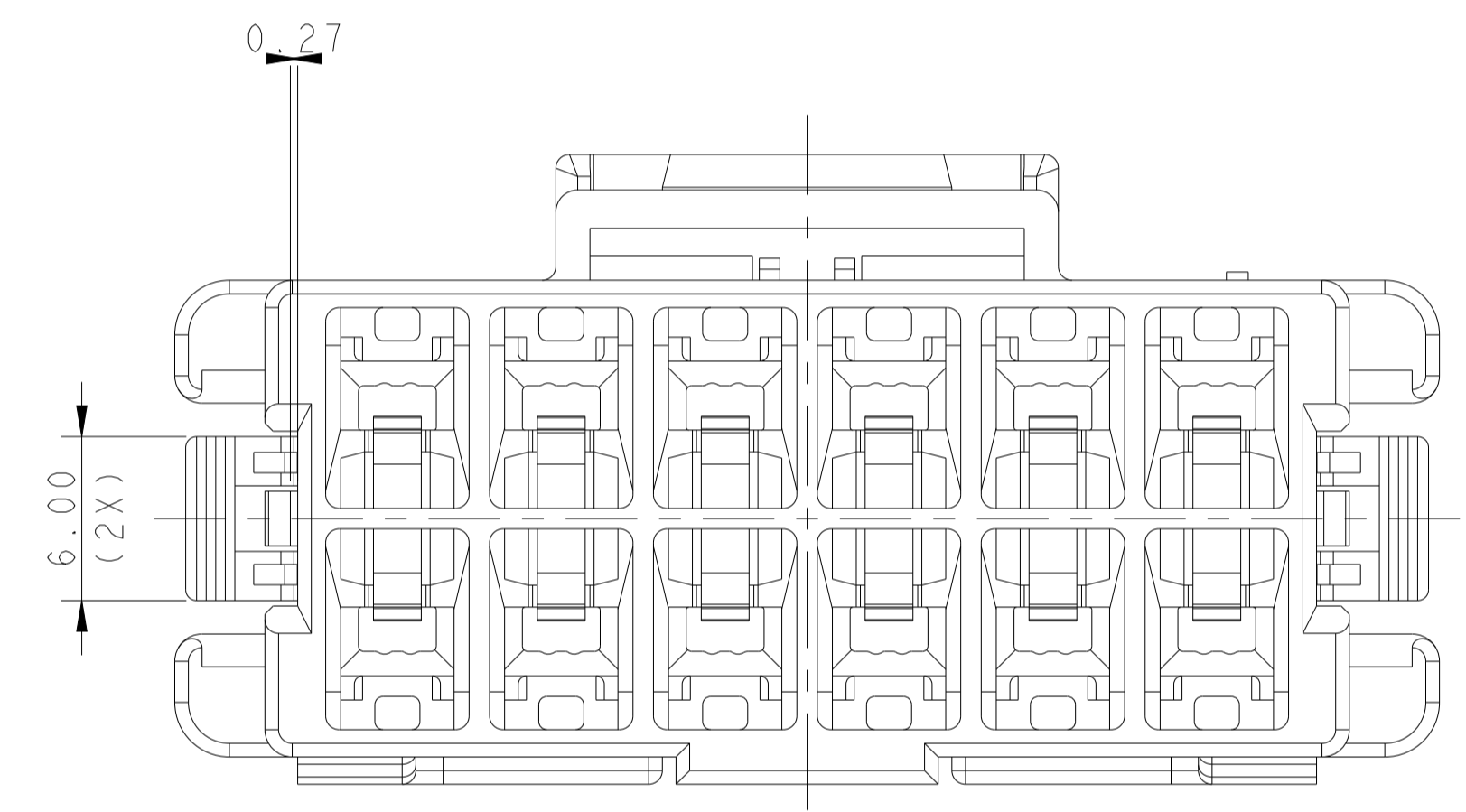
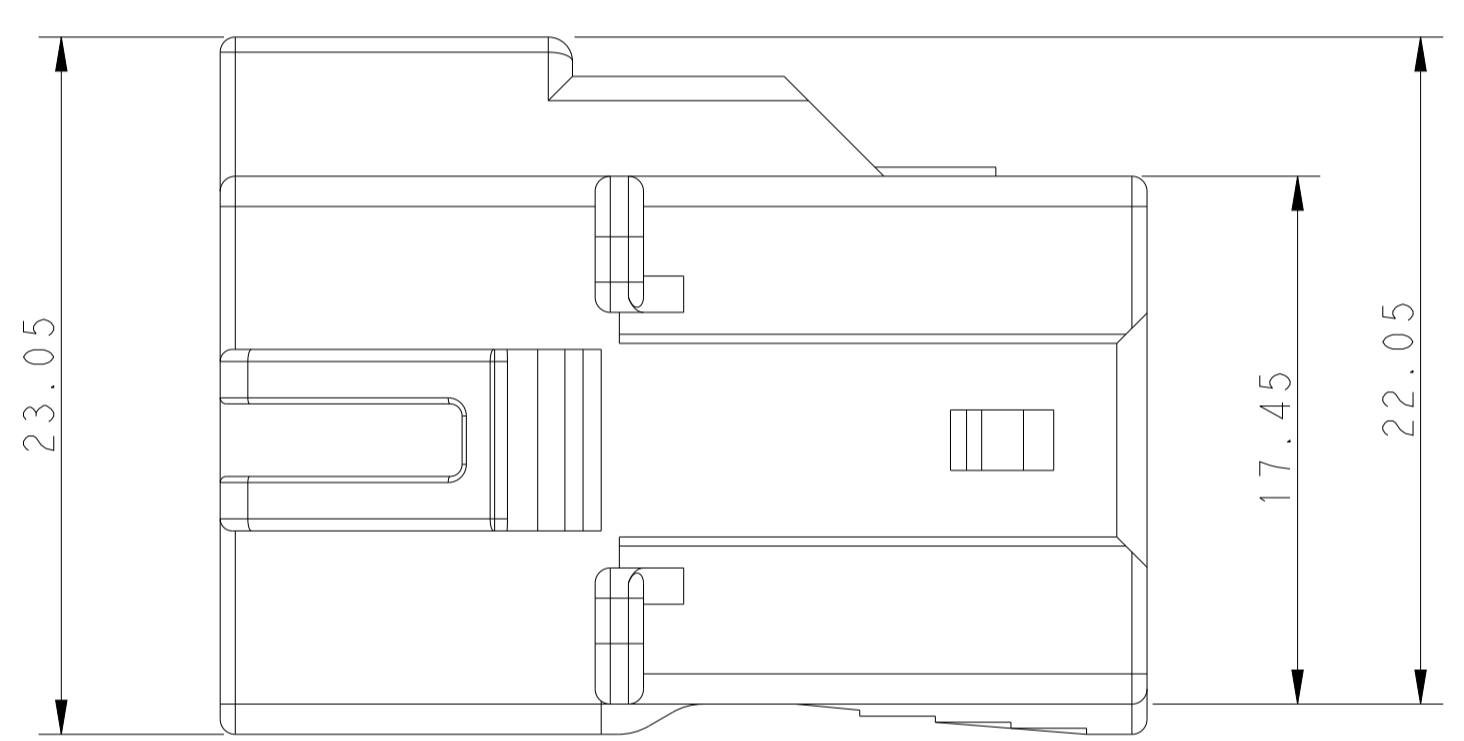
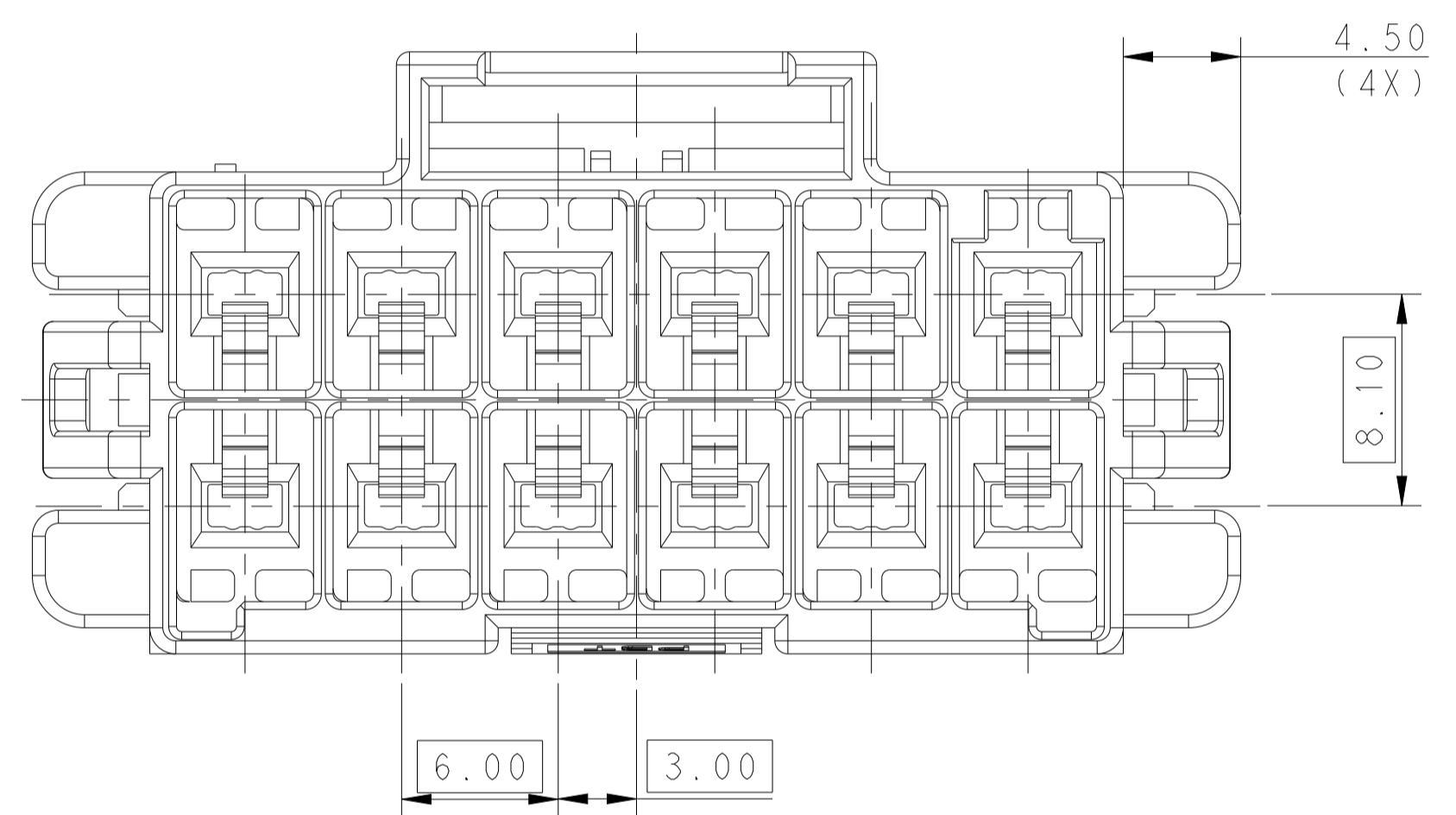


LOC		DIST		REVISIONS				
P	LTN	DESCRIPTION	DATE	DWN	APVD			
E		REVISED PER ECR-21-10067	08APR2021	SS	VS			
F		REVISED PER ECR-20-100915	28APR2021	JP	VS			



RECOMMENDED PANEL OPENING DIMENSIONS FOR CAP HOUSING 2\*6 AND 2\*5 AND 2\*4 POSITIONS (TOLERANCE: ±0.15mm)

RECOMMENDED PANEL OPENING DIMENSIONS FOR CAP HOUSING 2\*3 POSITION (TOLERANCE: ±0.15mm)



△ MATERIAL:  
 LEVEL 1: PBT, STANDARD TEMPERATURE 105°C  
 KEY A:NATURAL; KEY B: PURPLE; KEY C: BLUE; KEY D: YELLOW  
 LEVEL 2: PA66, HIGH TEMPERATURE 150°C  
 KEY A: LIGHT GREY; KEY B: RED; KEY C: BLACK; KEY D: NATURAL

△ MATERIAL MARK:  
 LEVEL 1: PBT, LEVEL 2: HDT

3. APPLICABLE CONTACT P/N  
 TAB CONTACT: 1971238/1971780/82/84/86/88-\*, 2238067-\*

4. MATING CONN, P/N  
 PLUG HSG: \*-1971776-  
 TPA(LOCK PLATE): \*-1971778-\*

5. RECOMMENDED PANEL THICKNESS: 1.0-2.0mm

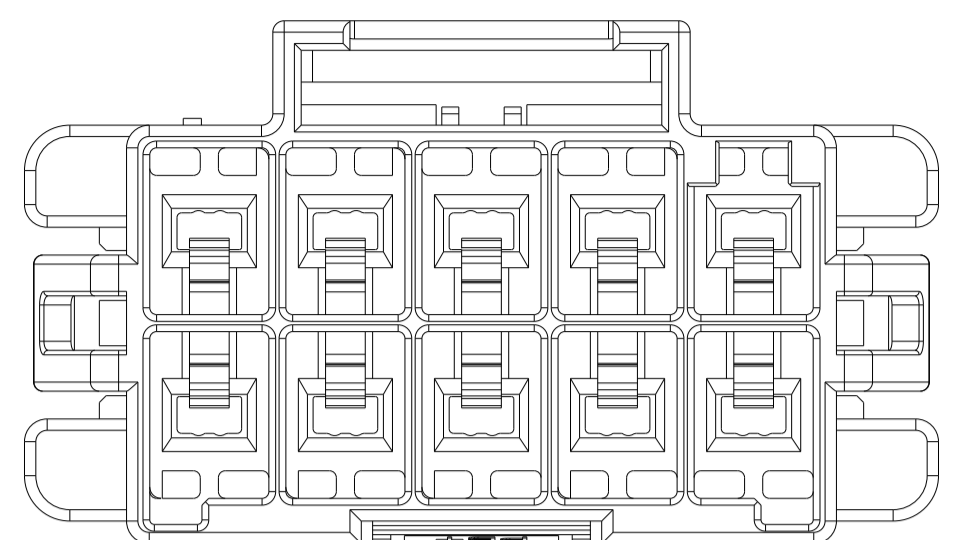
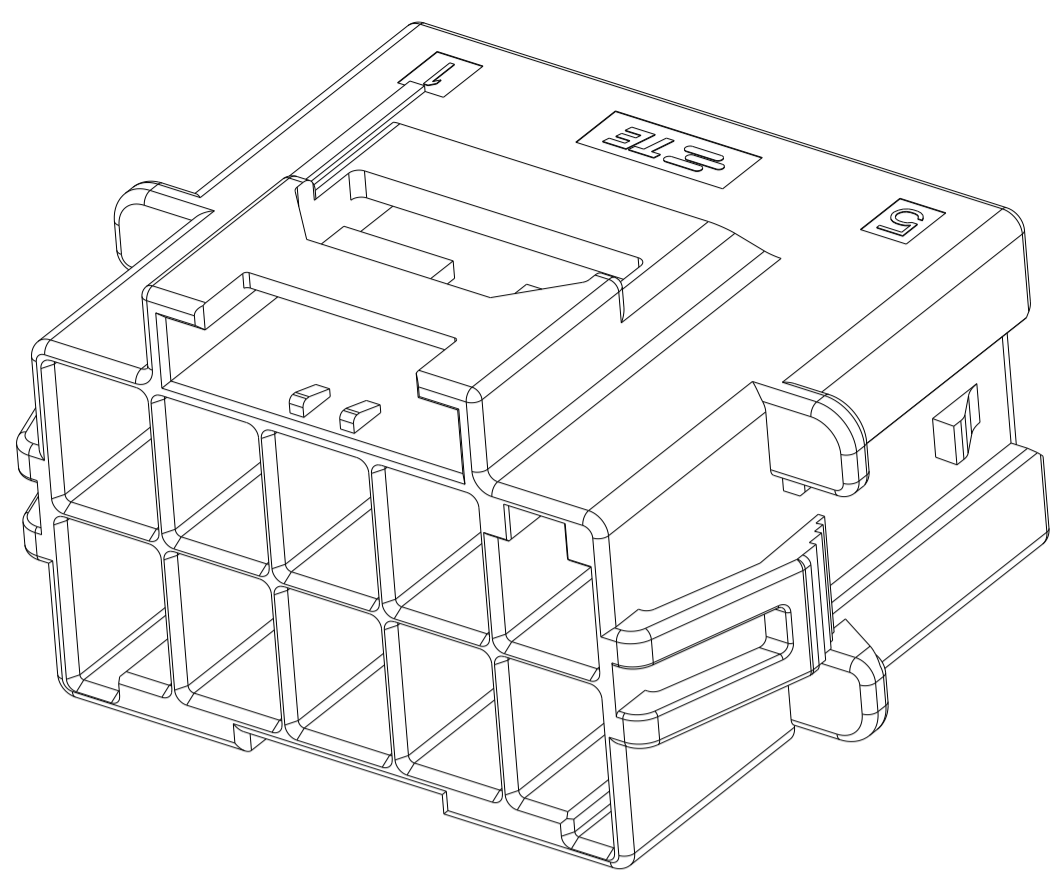
△ GLOW WIRE COMPLIANT IN ACCORDANCE WITH IEC 60335-1. THIS IS BASED ON THE PRODUCT MEETING A GWEPT 850°C TEST AND RESIN GWIT GREATER THAN OR EQUAL TO 775°C.

POS	A	B	C	D	E
2*6	39.70	45.5	37.30	42.70	37.80
2*5	33.70	39.5	31.30	36.70	31.80
2*4	27.70	33.5	25.30	30.70	25.80
2*3	21.70	27.5	19.30		

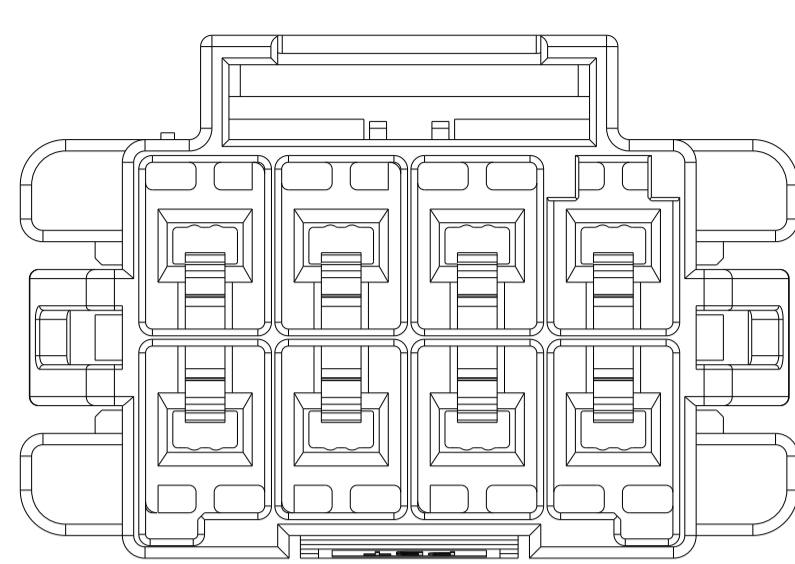
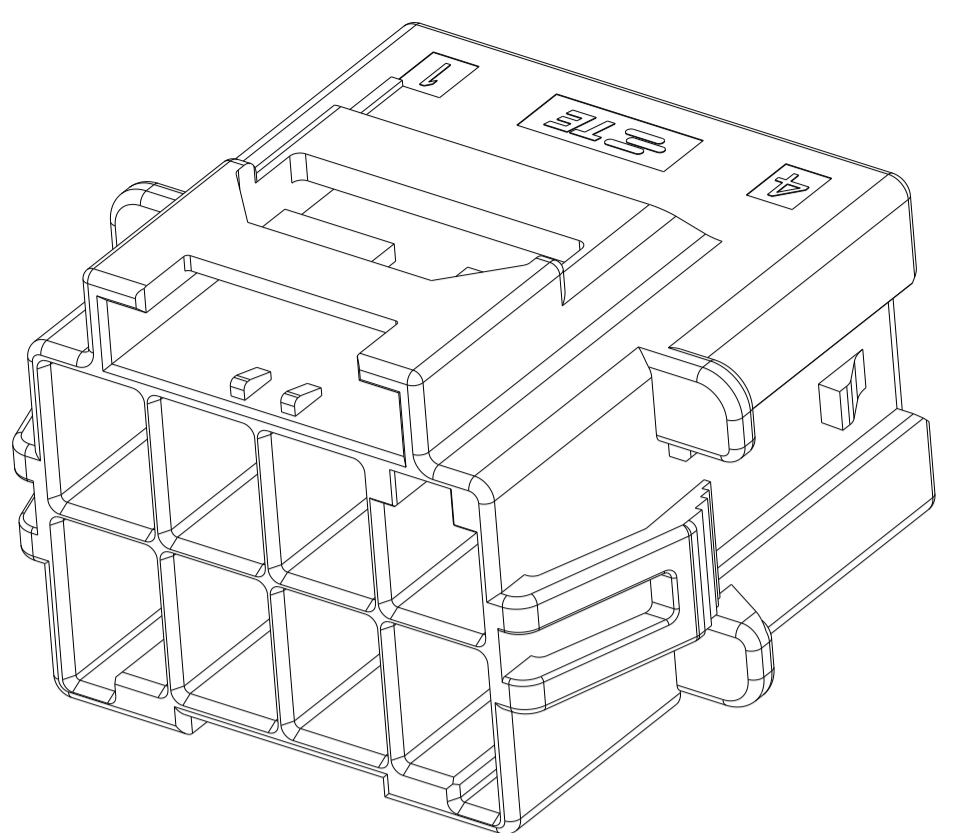
THIS DRAWING IS A CONTROLLED DOCUMENT.

DIMENSIONS:	TOLERANCES UNLESS OTHERWISE SPECIFIED:	DWN	06 JUL 2012	TE Connectivity	
mm	0 PLC ±0.35	CHK	06 JUL 2012	CAP HOUSING, PANEL MOUNT, DOUBLE ROW POWER TRIPLE LOCK	
	1 PLC ±0.25	APVD	06 JUL 2012		
	2 PLC ±0.25	YUHONG MAO		NAME	
	3 PLC ±0.25	HAPYE WU		PRODUCT SPEC	
	4 PLC ±0.25			APPLICATION SPEC	
	ANGLES ±0.1			SIZE	
MATERIAL	FINISH	114-106118		CAGE CODE	
		WEIGHT		DRAWING NO	
		Customer Drawing		A100779	
		SCALE		4:1	
		SHEET		1	
		OF		2	
		REV		F	

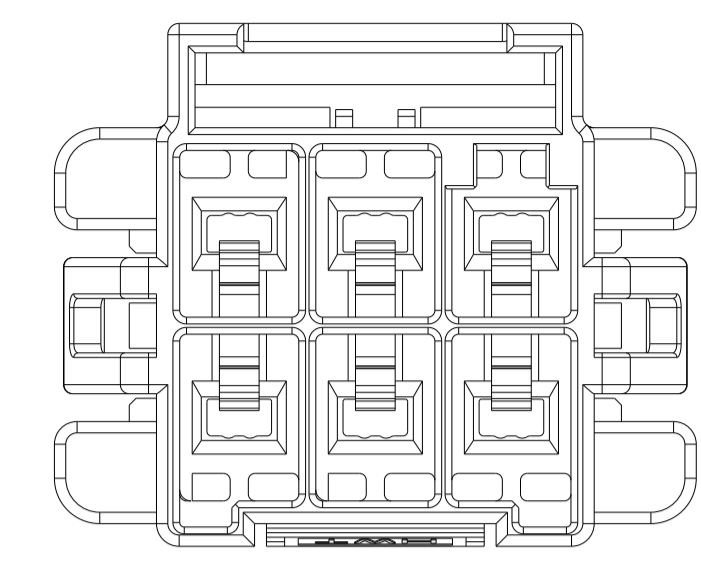
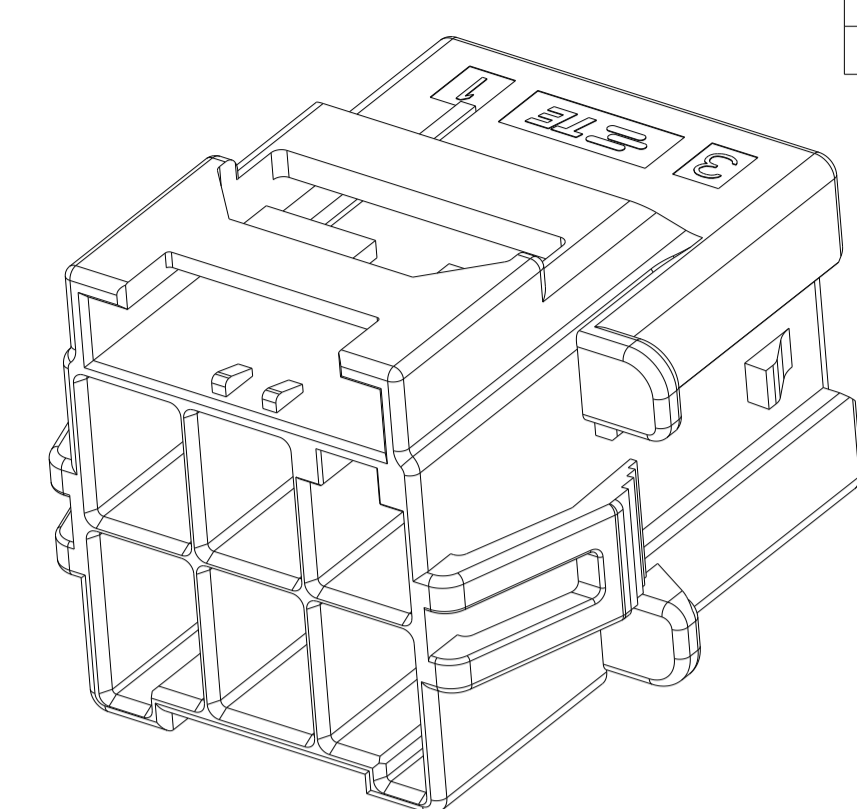
LOC		DIST		REVISIONS			
P	LTN	DESCRIPTION	DATE	OWN	APVD		
-	-	SEE SHEET 1	-	-	-		



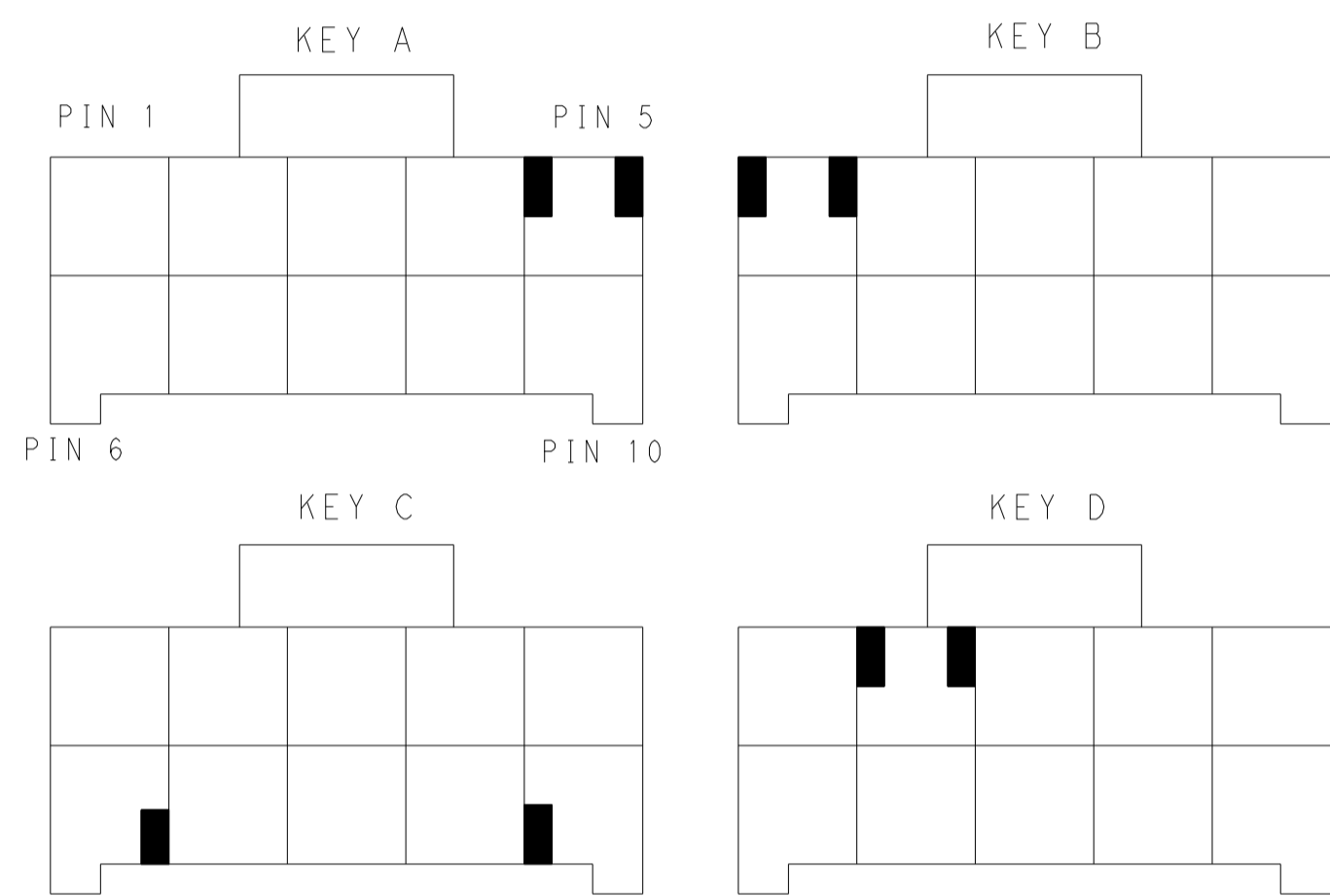
2\*5 POSITIONS



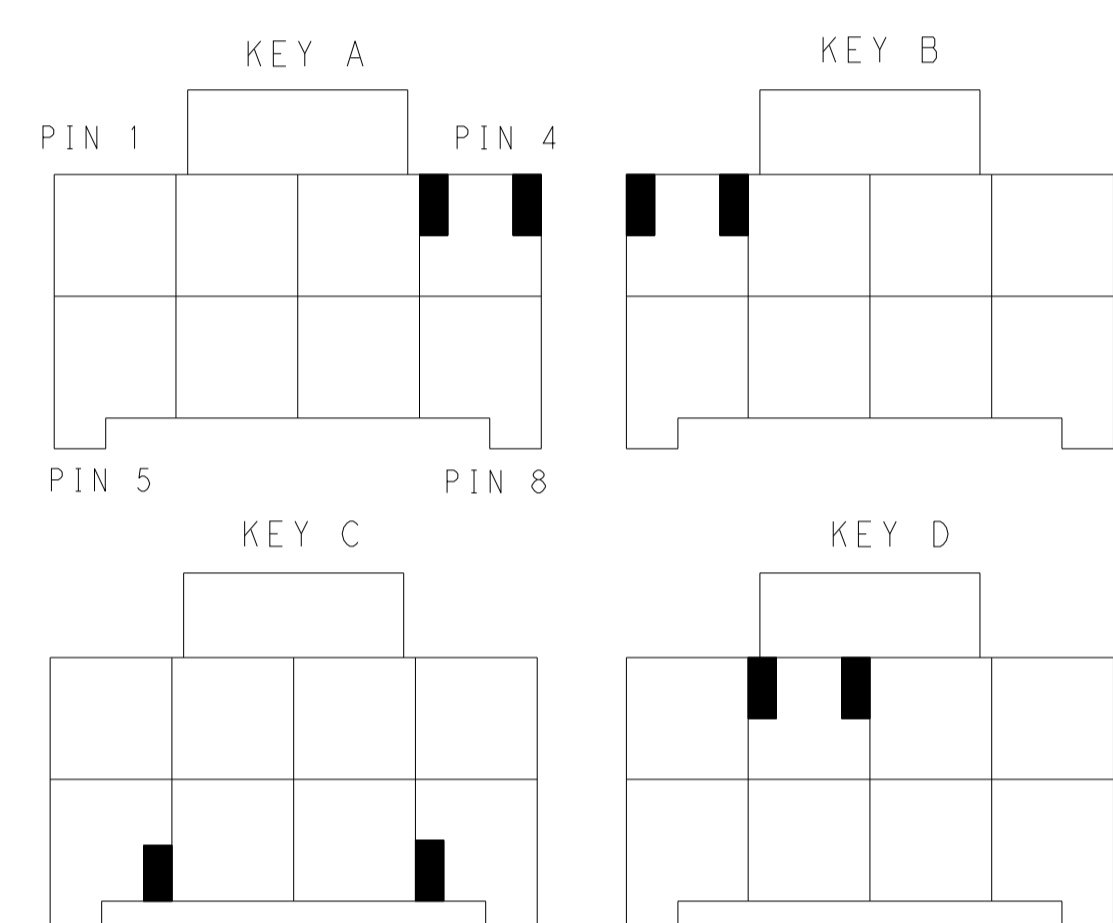
2\*4 POSITIONS



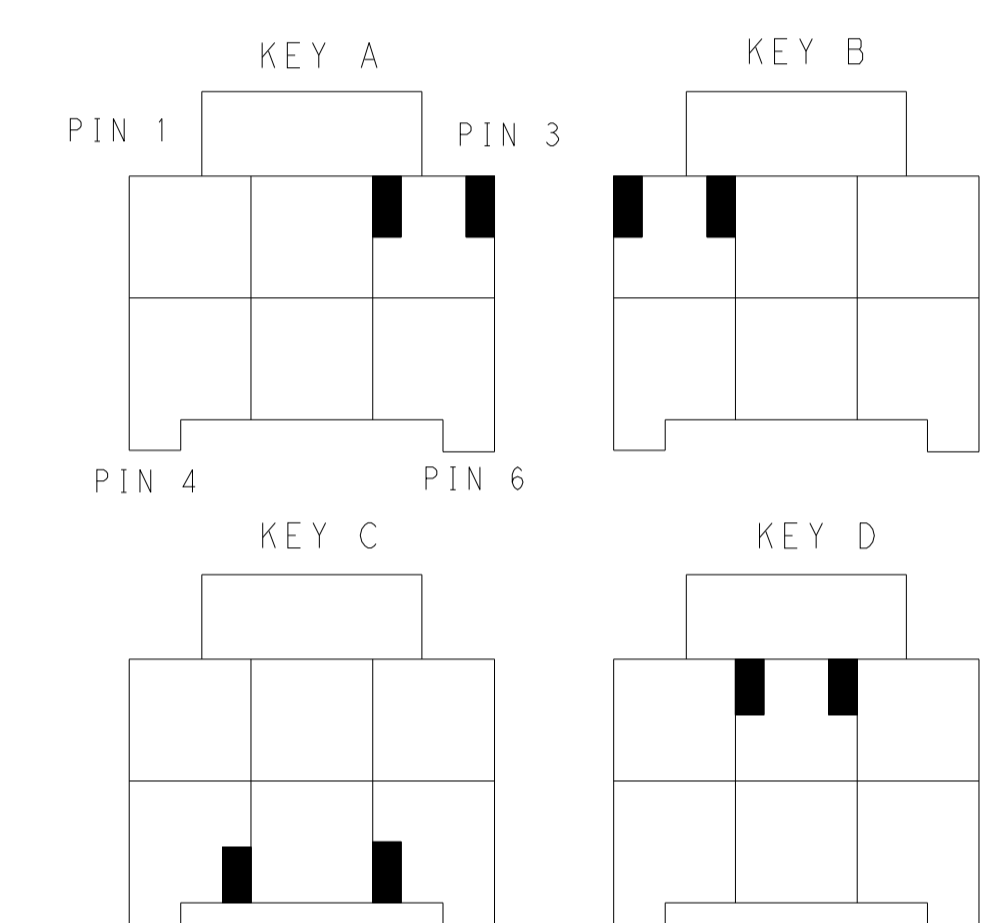
2\*3 POSITIONS



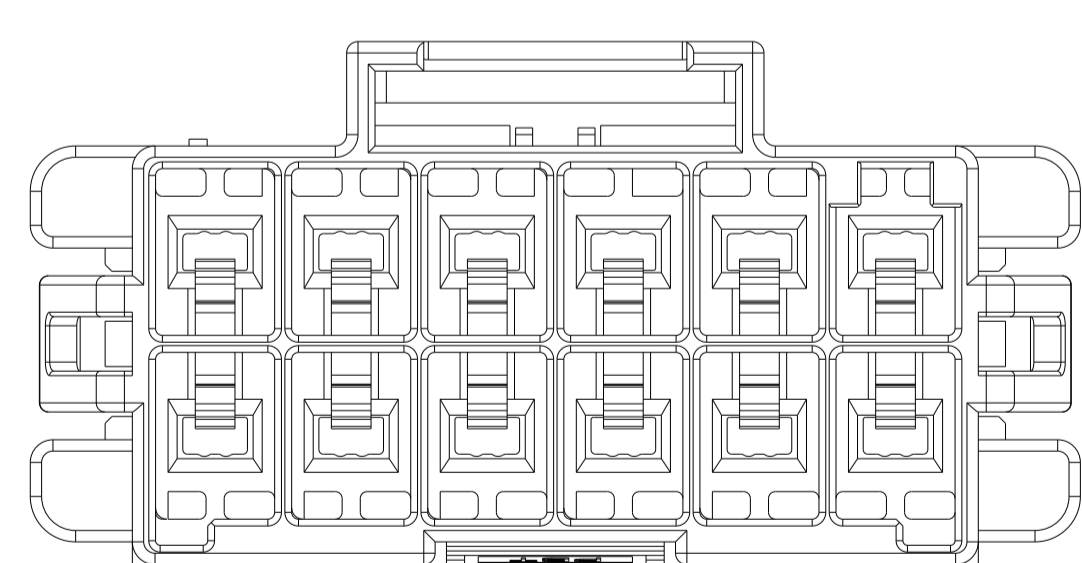
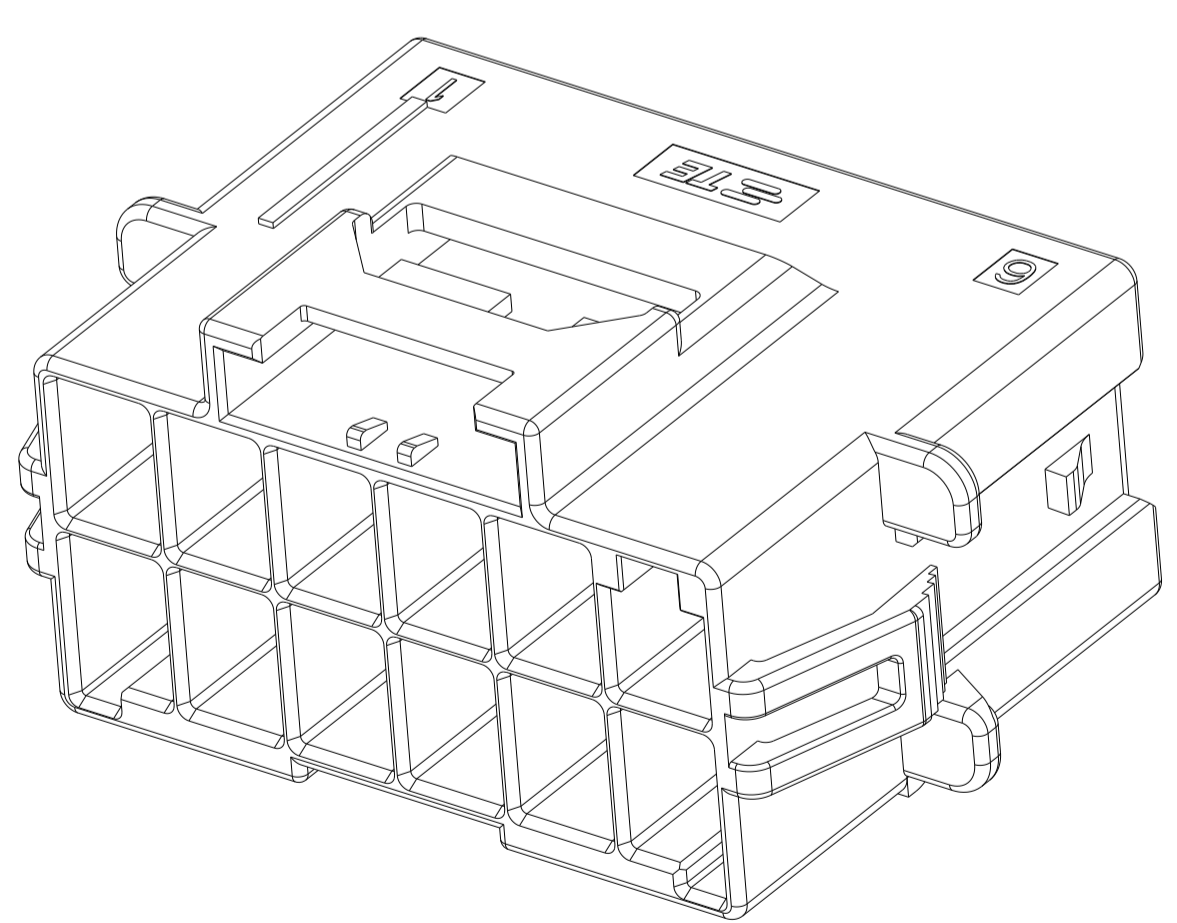
KEYING FOR 2\*5 POS.



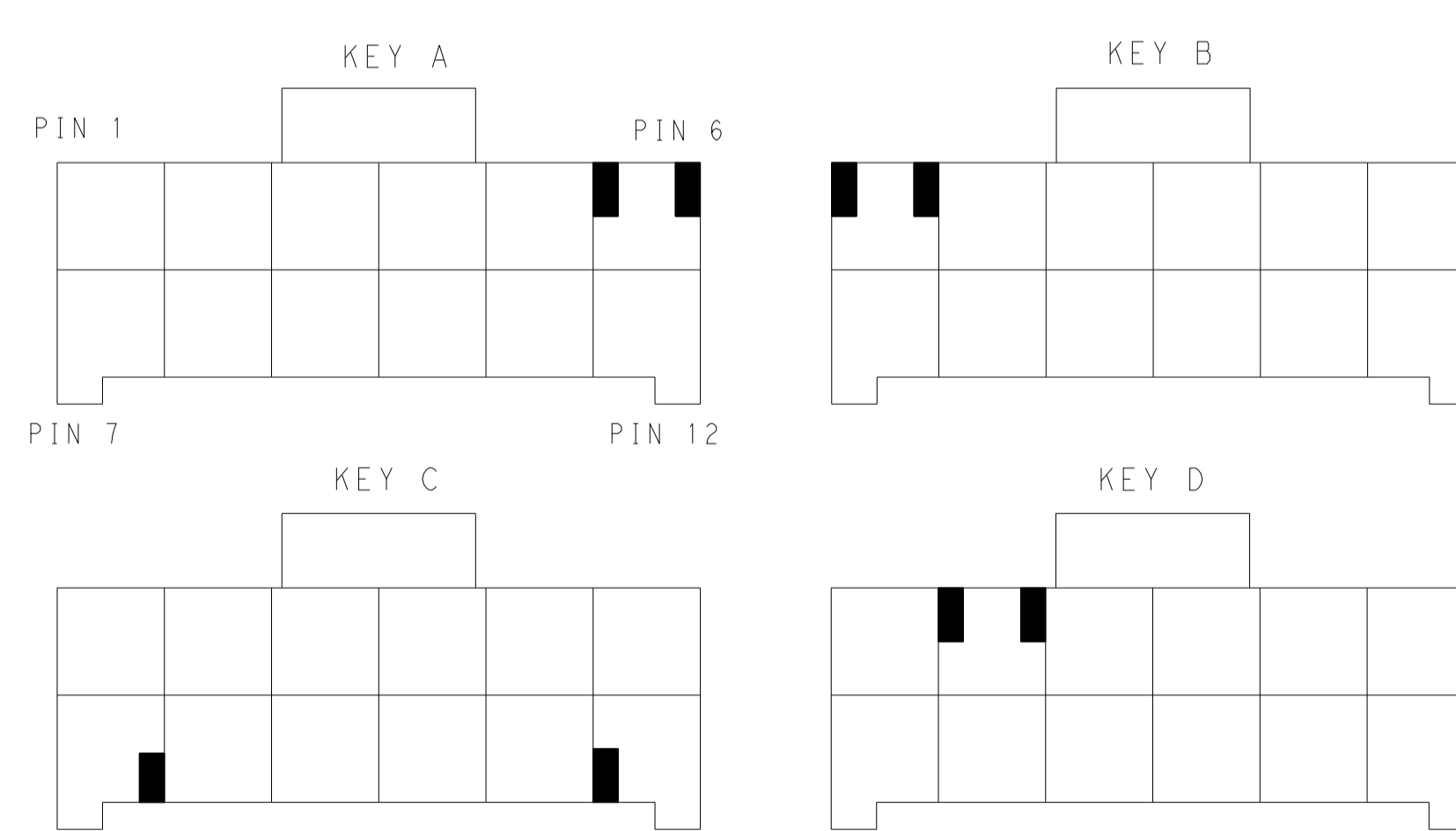
KEYING FOR 2\*4 POS.



KEYING FOR 2\*3 POS.



2\*6 POSITIONS



KEYING FOR 2\*6 POS.

POS.	MATERIAL	KEY	P/N
2*6	LEVEL 1	KEY A	1-1971775-6
		KEY B	2-1971775-6
		KEY C	3-1971775-6
		KEY D	4-1971775-6
LEVEL 2	6	KEY A	5-1971775-6
		KEY B	6-1971775-6
		KEY C	7-1971775-6
		KEY D	8-1971775-6
2*5	LEVEL 1	KEY A	1-1971775-5
		KEY B	2-1971775-5
		KEY C	3-1971775-5
		KEY D	4-1971775-5
LEVEL 2	6	KEY A	5-1971775-5
		KEY B	6-1971775-5
		KEY C	7-1971775-5
		KEY D	8-1971775-5

POS.	MATERIAL	KEY	P/N
2*4	LEVEL 1	KEY A	1-1971775-4
		KEY B	2-1971775-4
		KEY C	3-1971775-4
		KEY D	4-1971775-4
LEVEL 2	6	KEY A	5-1971775-4
		KEY B	6-1971775-4
		KEY C	7-1971775-4
		KEY D	8-1971775-4
2*3	LEVEL 1	KEY A	1-1971775-3
		KEY B	2-1971775-3
		KEY C	3-1971775-3
		KEY D	4-1971775-3
LEVEL 2	6	KEY A	5-1971775-3
		KEY B	6-1971775-3
		KEY C	7-1971775-3
		KEY D	8-1971775-3

THIS DRAWING IS A CONTROLLED DOCUMENT.

OWN: TOMMY WU 06 JUL 2012  
 CHK: TOMMY WU 06 JUL 2012  
 APVD: HAPYE WU 06 JUL 2012  
 YUHONG MAO 06 JUL 2012

TE Connectivity

NAME: CAP HOUSING, PANEL MOUNT, DOUBLE ROW POWER TRIPLE LOCK

SIZE: A1 CAGE CODE: 00779 DRAWING NO: 1971775

SCALE: SHEET 2 OF 2 REV F

Customer Drawing

## X-ON Electronics

Largest Supplier of Electrical and Electronic Components

*Click to view similar products for [Headers & Wire Housings](#) category:*

*Click to view products by [TE Connectivity](#) manufacturer:*

Other Similar products are found below :

[892-18-020-10-001101](#) [58102-G61-06LF](#) [582553-1](#) [0009485154](#) [009176003701906](#) [0050291907](#) [LY20-4P-DT1-P1E-BR](#) [02.125.8002.8](#)  
[609-3404](#) [61062-3](#) [61082-181009](#) [622-3653LF](#) [63453-116](#) [636-1030](#) [636-1427](#) [636-3427](#) [636-4007](#) [641938-9](#) [641991-4](#) [644827-2](#) [65817-010LF](#) [65817-015LF](#) [65863-015LF](#) [66207-023LF](#) [67095-007LF](#) [67601157](#) [68645-018](#) [68648-049](#) [70.362.1628.0](#) [70-4210](#) [70-4226B](#) [70-4853B](#) [707-5020](#) [707-5028](#) [71.350.2428.0](#) [71918-208LF](#) [71961-016LF](#) [733-134](#) [733-162](#) [754199-000](#) [760-3052](#) [787-8014-00](#) [79531-3000](#)  
[FCN-360C032-B](#) [FCN-367T-T012/H](#) [FCN-723D010/2](#) [80.063.4001.1](#) [800-90-001-10-001000](#) [800-90-010-10-002000](#) [801-43-002-10-013000](#)