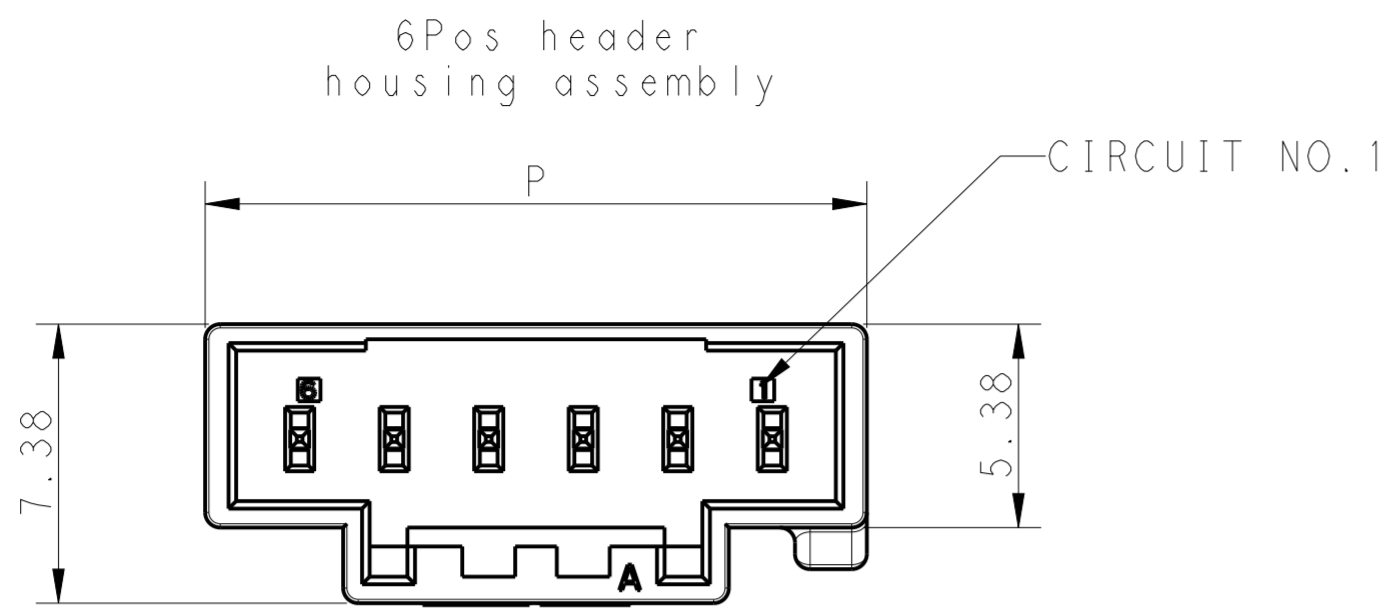


THIS DRAWING IS UNPUBLISHED. RELEASED FOR PUBLICATION
 © COPYRIGHT BY - TE CONNECTIVITY ALL RIGHTS RESERVED.

LOC		DIST		REVISIONS			
P	LTR	DESCRIPTION	DATE	DWN	APVD		
	A2	UPDATE FOR KINK METHOD	19SEP2012	H.J.Z	YH.M		
	B	ADD 4P/7P PRODUCT	28MAY2013	H.J.Z	YH.M		
	C	ECR-14-002989	28FEB2014	M.T	D.Z		



- NOTES:
- 1.GENERAL TOLERANCE: ±0.3
 - 2.MATERIAL SEE TABLE 1
 - 3.MATING CONN. P/N:SEE TABLE(SHEET 3)

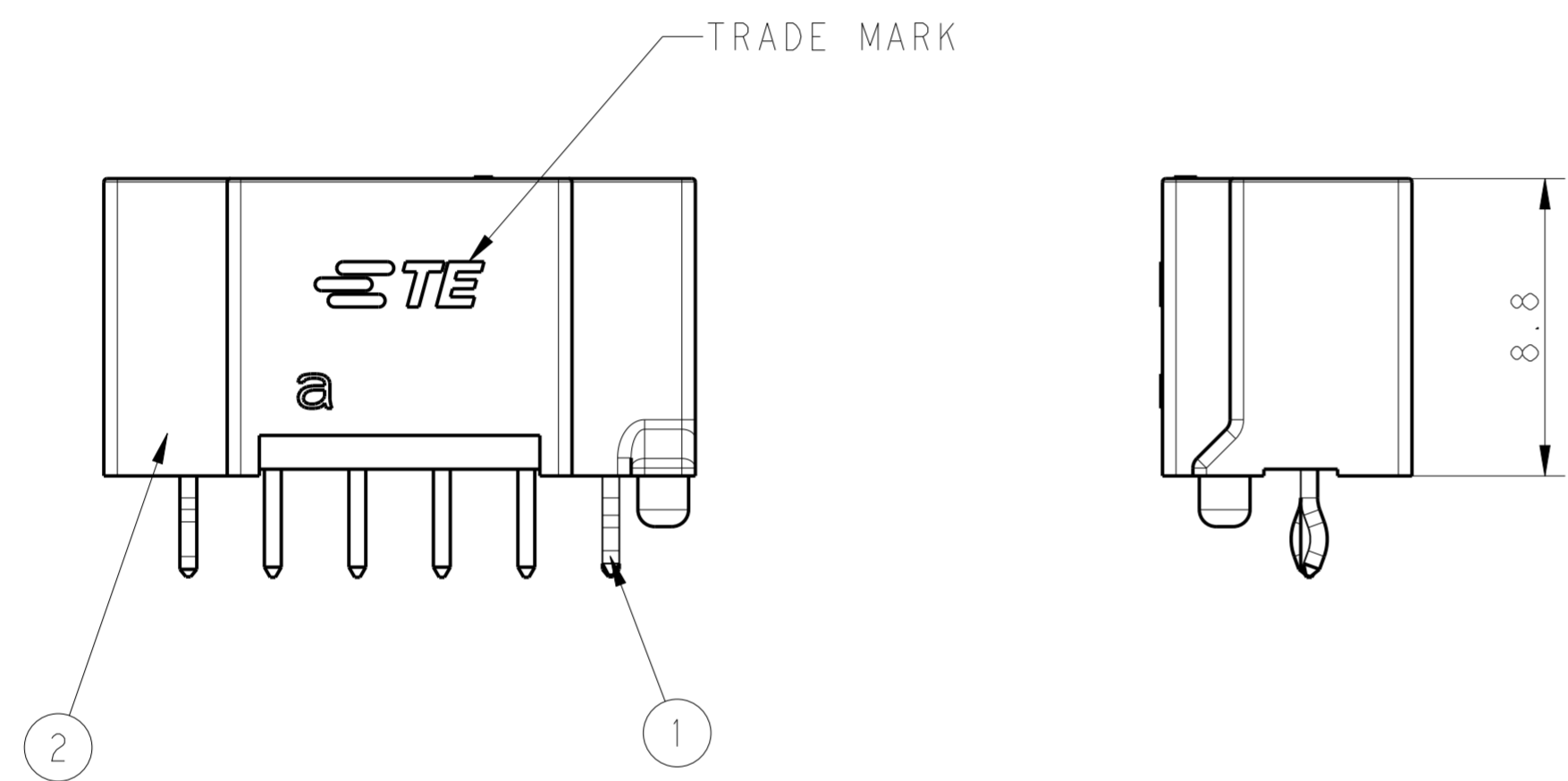
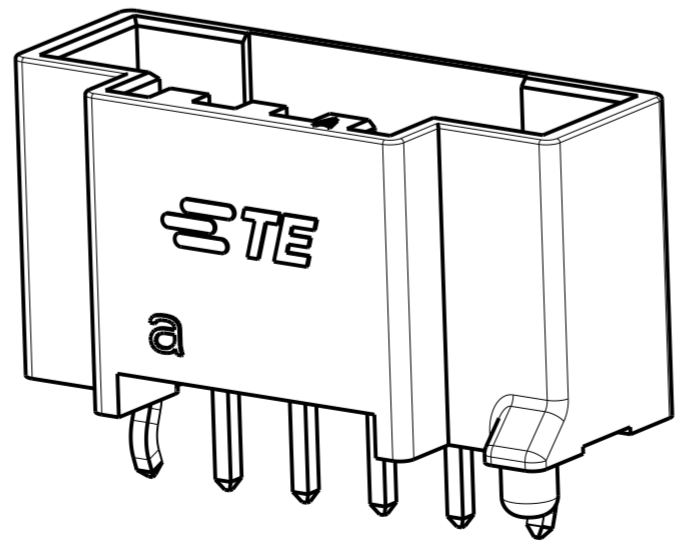
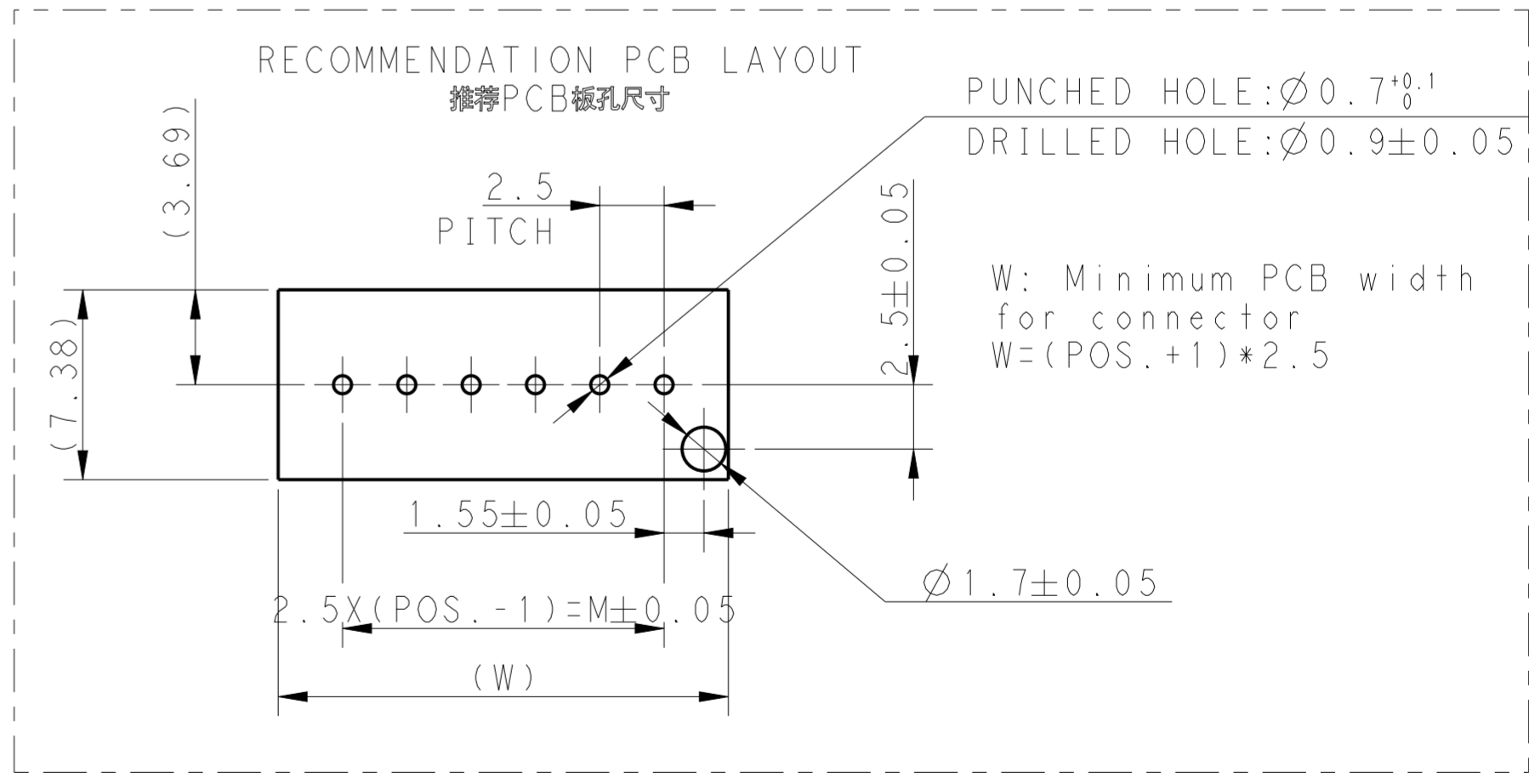
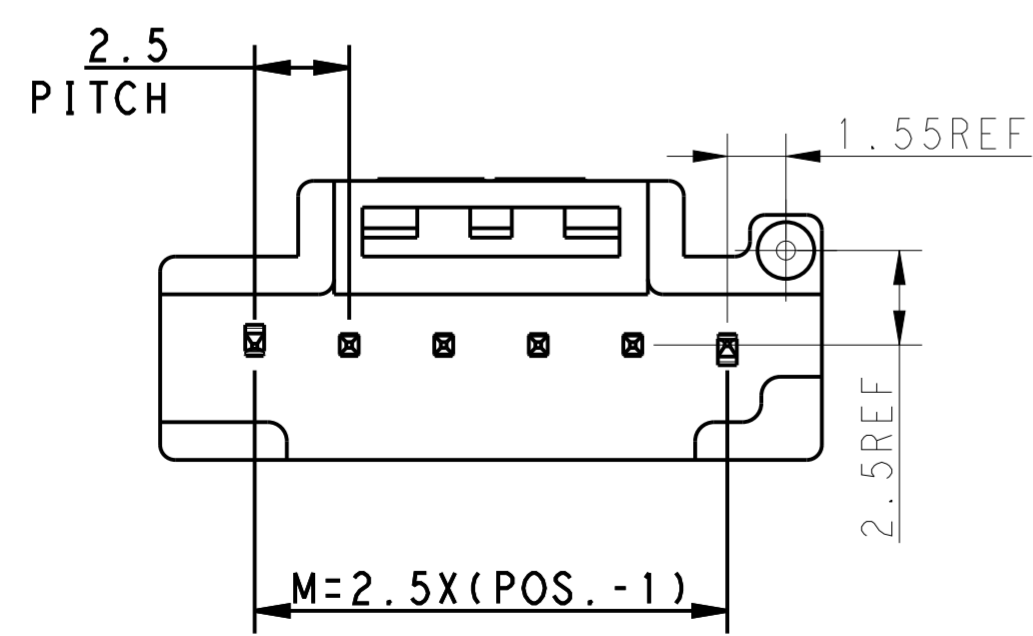


TABLE 1

NO.	PART NAME	MATERIAL
①	POST CONTACT	COPPER ALLOY, TIN PLATING
②	HEADER HOUSING	THERMO PLASTIC UL94 V-0

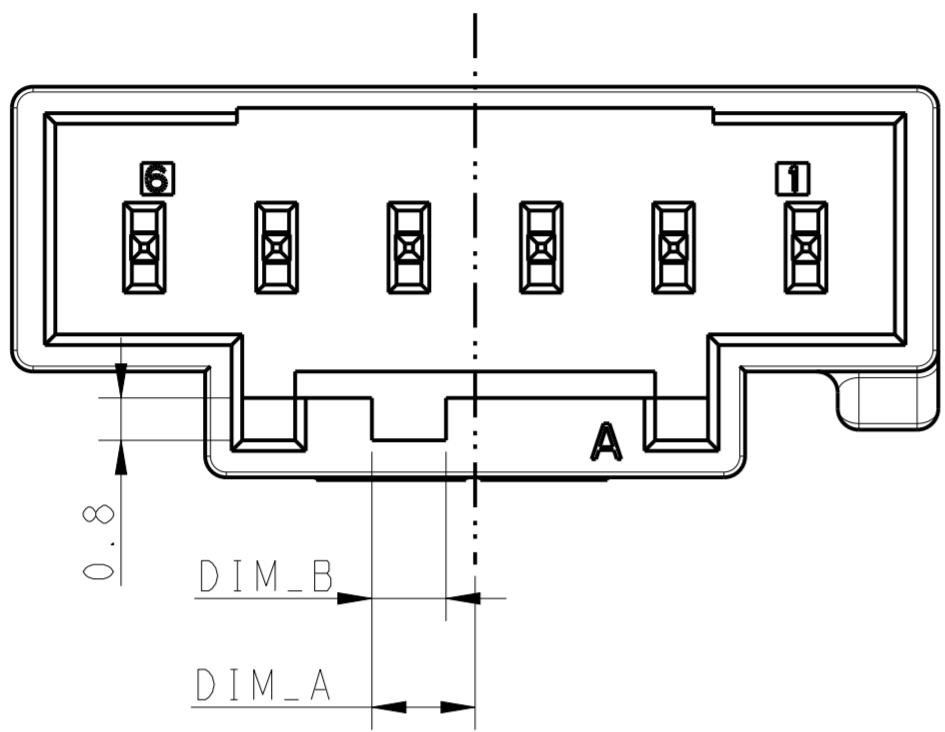


THIS DRAWING IS A CONTROLLED DOCUMENT.		DWN: H.J.Z 28MAY2013	TE Connectivity	
DIMENSIONS: mm		CHK: H.J.Z 28MAY2013		
TOLERANCES UNLESS OTHERWISE SPECIFIED		APVD: YH.M 28MAY2013	NAME: HEADER ASSY, PITCH 2.5 WITH BOSS D1.5	
0 PLC ± 0.3 1 PLC ± 0.3 2 PLC ± 0.3 3 PLC ± 0.001 4 PLC ± 0.001 ANGLES ± - FINISH ± -		PRODUCT SPEC: 108-106077	NEXT GENERATION	
MATERIAL		APPLICATION SPEC: -	GRACE INERTIA CONNECTOR	
		WEIGHT: -	SIZE: A2	RESTRICTED TO: -
		Customer Drawing	CAGE CODE: -	DRAWING NO: 1971800
		SCALE: /	SHEET: 1 OF 3	REV: C

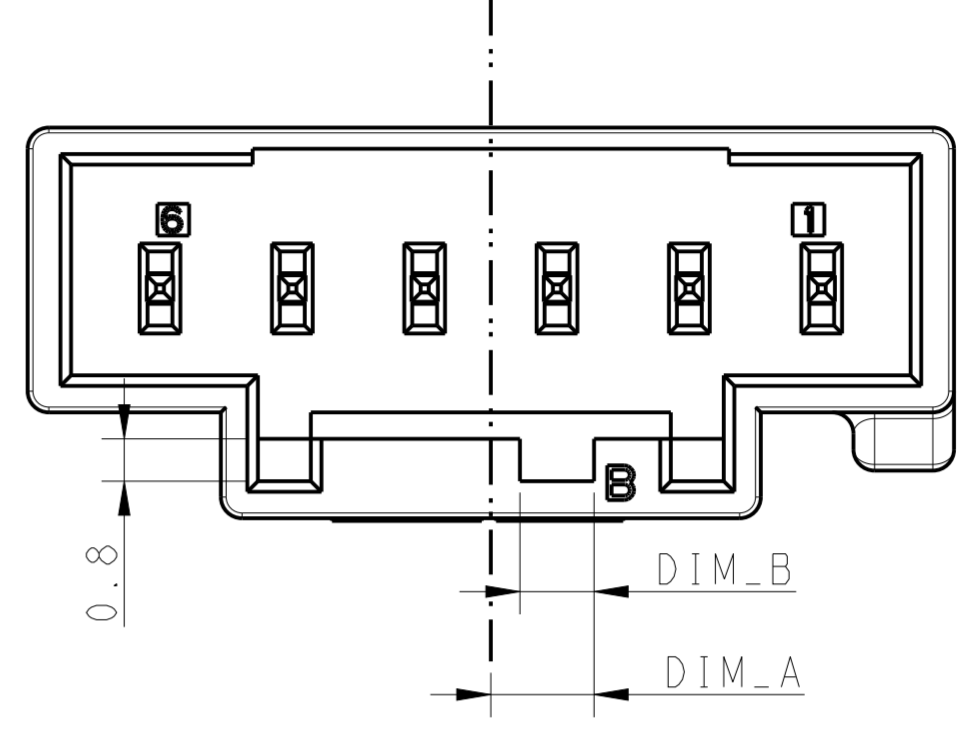
THIS DRAWING IS UNPUBLISHED. RELEASED FOR PUBLICATION
 © COPYRIGHT BY TE CONNECTIVITY ALL RIGHTS RESERVED.

LOC	DIST	P	LTR	DESCRIPTION	DATE	DWN	APVD
-	-	-	-	SEE SHEET 1	-	-	-

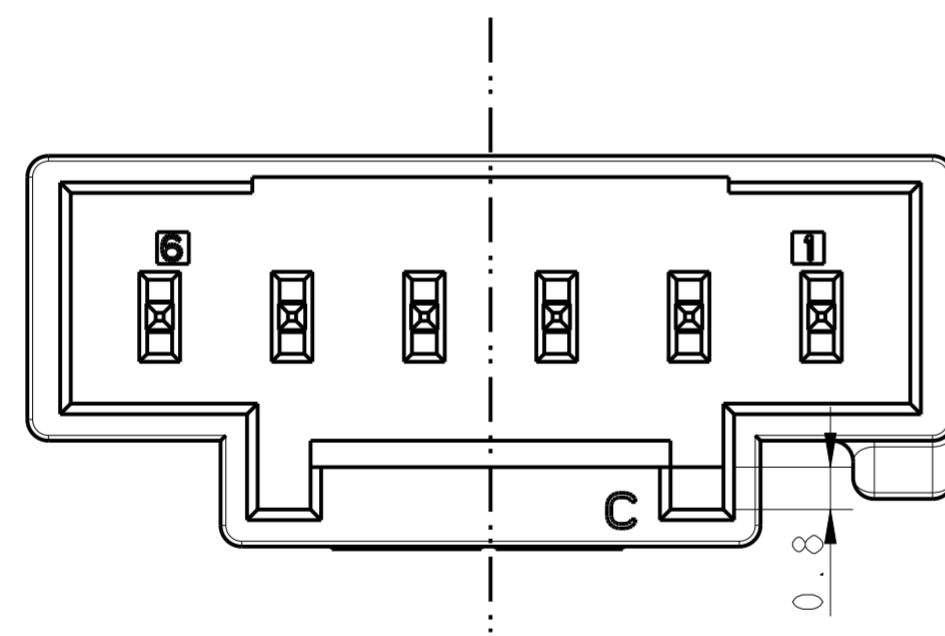
KEYING - A



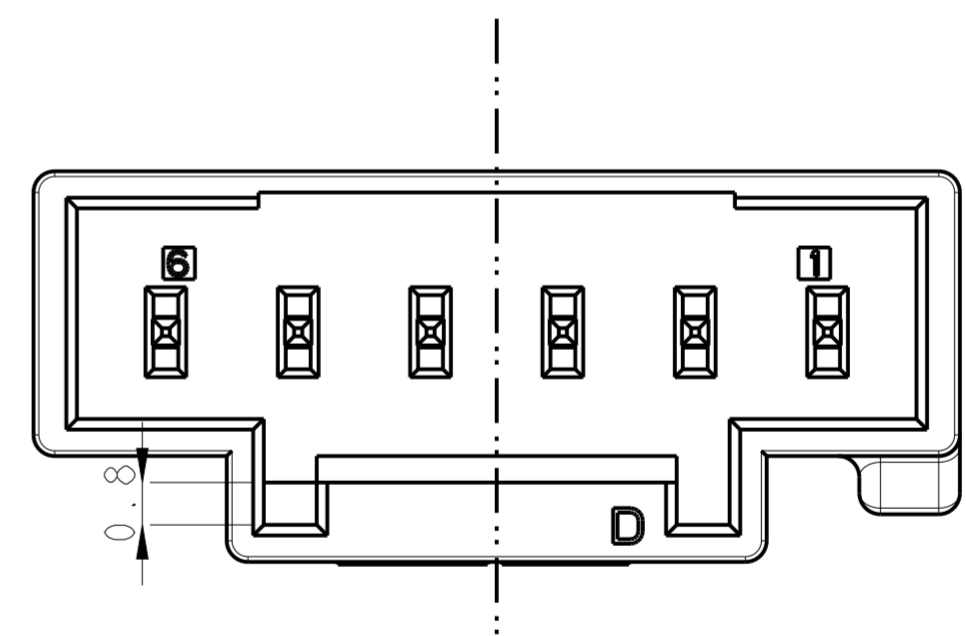
KEYING - B



KEYING - C



KEYING - D



DIMENSION MATRIX FOR KEYING


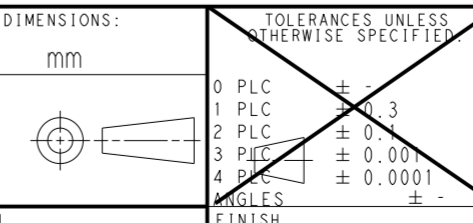
1.4	2.4	8P
1.4	2.4	7P
1.4	1.95	6P
1.4	1.95	5P
1.4	1.6	4P
1.4	1.3	3P
1.25	1.05	2P
DIM_B	DIM_A	POS.

THIS DRAWING IS A CONTROLLED DOCUMENT.		DWN H.J.Z 28MAY2013	STE TE Connectivity	
DIMENSIONS: mm		CHK H.J.Z 28MAY2013		
TOLERANCES UNLESS OTHERWISE SPECIFIED		APVD Y.H.M 28MAY2013	NAME: HEADER ASSY, PITCH 2.5 WITH BOSS D1.5	
0 PLC ± 0.3		PRODUCT SPEC	NEXT GENERATION	
1 PLC ± 0.3		108-106077	GRACE INERTIA CONNETOR	
2 PLC ± 0.001		APPLICATION SPEC	SIZE A2	CAGE CODE G-1971800
3 PLC ± 0.001		WEIGHT	SCALE	SHEET 2 OF 3
4 PLC ± 0.001		Customer Drawing	REV C	
ANGLES ±				
FINISH				

THIS DRAWING IS UNPUBLISHED. RELEASED FOR PUBLICATION
 © COPYRIGHT BY TE CONNECTIVITY ALL RIGHTS RESERVED.

LOC		DIST		REVISIONS			
P	LTR	DESCRIPTION	DATE	DWN	APVD		
-	-	SEE SHEET 1	-	-	-		

MATING CONN P/N	P	M	Pos	COLOR	KEYING	PART NUMBER	DESCRIPTION
8-1971793-4	22.5	17.5	8	YELLOW	D	8-1971800-4	HEADER HOUSING ASSEMBLY
8-1971793-3				RED	C	8-1971800-3	
8-1971793-2				BLUE	B	8-1971800-2	
8-1971793-1				NATURAL	A	8-1971800-1	
7-1971793-4	20.0	15.0	7	YELLOW	D	7-1971800-4	
7-1971793-3				RED	C	7-1971800-3	
7-1971793-2				BLUE	B	7-1971800-2	
7-1971793-1				NATURAL	A	7-1971800-1	
6-1971793-4	17.5	12.5	6	YELLOW	D	6-1971800-4	
6-1971793-3				RED	C	6-1971800-3	
6-1971793-2				BLUE	B	6-1971800-2	
6-1971793-1				NATURAL	A	6-1971800-1	
5-1971793-4	15.0	10.0	5	YELLOW	D	5-1971800-4	
5-1971793-3				RED	C	5-1971800-3	
5-1971793-2				BLUE	B	5-1971800-2	
5-1971793-1				NATURAL	A	5-1971800-1	
4-1971793-4	12.5	7.5	4	YELLOW	D	4-1971800-4	
4-1971793-3				RED	C	4-1971800-3	
4-1971793-2				BLUE	B	4-1971800-2	
4-1971793-1				NATURAL	A	4-1971800-1	
3-1971793-4	10.0	5.0	3	YELLOW	D	3-1971800-4	
3-1971793-3				RED	C	3-1971800-3	
3-1971793-2				BLUE	B	3-1971800-2	
3-1971793-1				NATURAL	A	3-1971800-1	
2-1971793-4	7.5	2.5	2	YELLOW	D	2-1971800-4	
2-1971793-3				RED	C	2-1971800-3	
2-1971793-2				BLUE	B	2-1971800-2	
2-1971793-1				NATURAL	A	2-1971800-1	

THIS DRAWING IS A CONTROLLED DOCUMENT.		DWN H.J.Z 28MAY2013	 TE Connectivity
DIMENSIONS: mm		CHK H.J.Z 28MAY2013	
		APVD Y.H.M 28MAY2013	
MATERIAL		PRODUCT SPEC 108-106077	
FINISH		APPLICATION SPEC	NAME HEADER ASSY, PITCH 2.5 WITH BOSS D1.5 NEXT GENERATION GRACE INERTIA CONNETOR
		WEIGHT	SIZE A2
		Customer Drawing	CAGE CODE - DRAWING NO. 1971800
		SCALE / SHEET 3 OF 3	RESTRICTED TO

X-ON Electronics

Largest Supplier of Electrical and Electronic Components

Click to view similar products for [Headers & Wire Housings](#) category:

Click to view products by [TE Connectivity](#) manufacturer:

Other Similar products are found below :

[892-18-020-10-001101](#) [58102-G61-06LF](#) [582553-1](#) [0009485154](#) [009176003701906](#) [0050291907](#) [LY20-4P-DT1-P1E-BR](#) [02.125.8002.8](#)
[609-3404](#) [61062-3](#) [61082-181009](#) [622-3653LF](#) [63453-116](#) [636-1030](#) [636-1427](#) [636-3427](#) [636-4007](#) [641938-9](#) [641991-4](#) [644827-2](#) [65817-](#)
[010LF](#) [65817-015LF](#) [65863-015LF](#) [66207-023LF](#) [67095-007LF](#) [67601157](#) [68645-018](#) [68648-049](#) [70.362.1628.0](#) [70-4210](#) [70-4226B](#) [70-](#)
[4853B](#) [707-5020](#) [707-5028](#) [71.350.2428.0](#) [71918-208LF](#) [71961-016LF](#) [733-134](#) [733-162](#) [754199-000](#) [760-3052](#) [787-8014-00](#) [79531-3000](#)
[FCN-360C032-B](#) [FCN-367T-T012/H](#) [FCN-723D010/2](#) [80.063.4001.1](#) [800-90-001-10-001000](#) [800-90-010-10-002000](#) [801-43-002-10-013000](#)