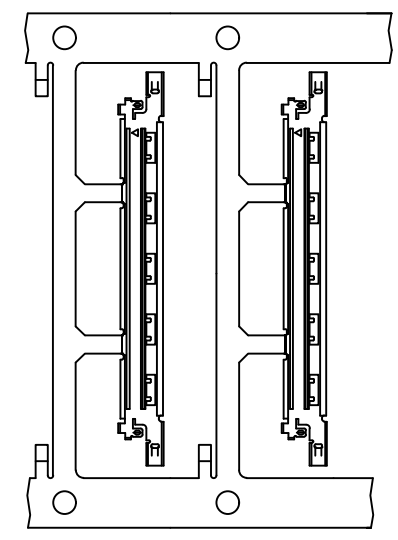
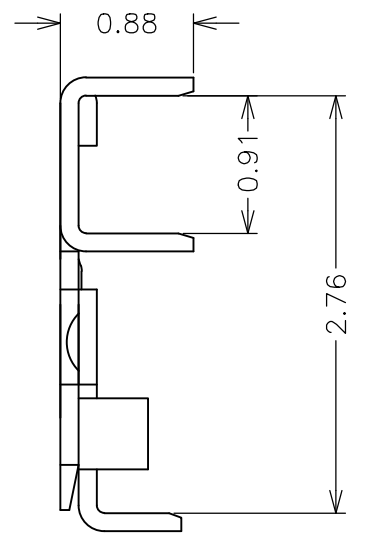
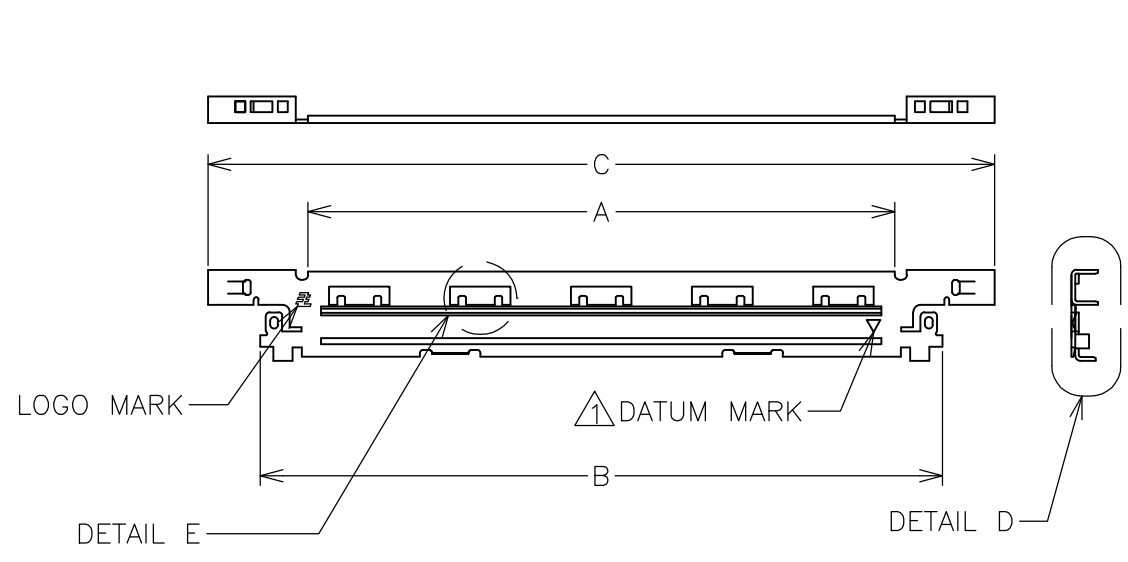


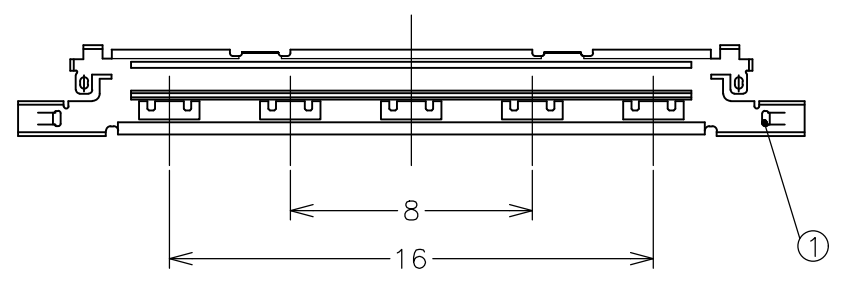
THIS DRAWING IS UNPUBLISHED. RELEASED FOR PUBLICATION
 © COPYRIGHT - TE Connectivity Ltd. ALL RIGHTS RESERVED.

REVISIONS 変更				
P	LTR	DESCRIPTION	DATE	APVD
	B	REVISED PER ECO-19-000017	07JAN2019	K.G W.H

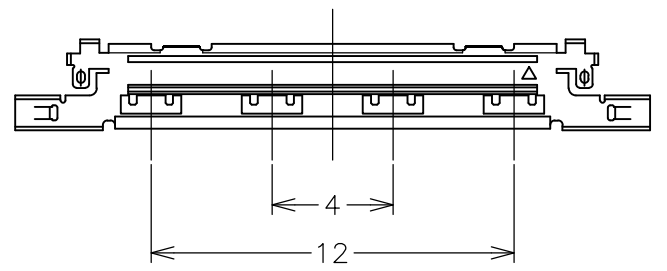
PART NO.	POS NO.	A	B	C	DATUM MARK \triangle	TOOLING STATUS
2023347-3	40	19.4	22.56	26	WITHOUT DATUM MARK	AVAILABLE
2023347-2	30	14.4	17.56	21		NOT AVAILABLE
2023347-1	20	9.4	12.56	16		NOT AVAILABLE
5-2023347-3	40	19.4	22.56	26	WITH DATUM MARK	NOT AVAILABLE
5-2023347-2	30	14.4	17.56	21		NOT AVAILABLE
5-2023347-1	20	9.4	12.56	16		NOT AVAILABLE



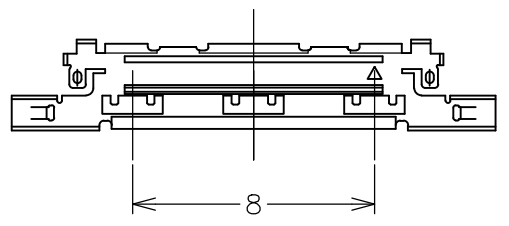
VIEW P
(SCALE 2:1)



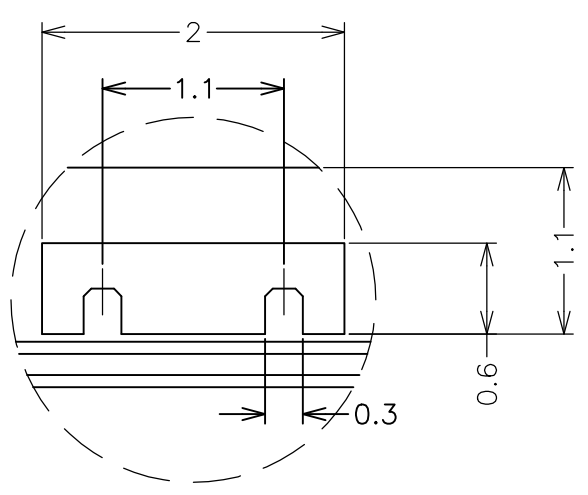
AS SHOWN : 5-2023347-3(40P)



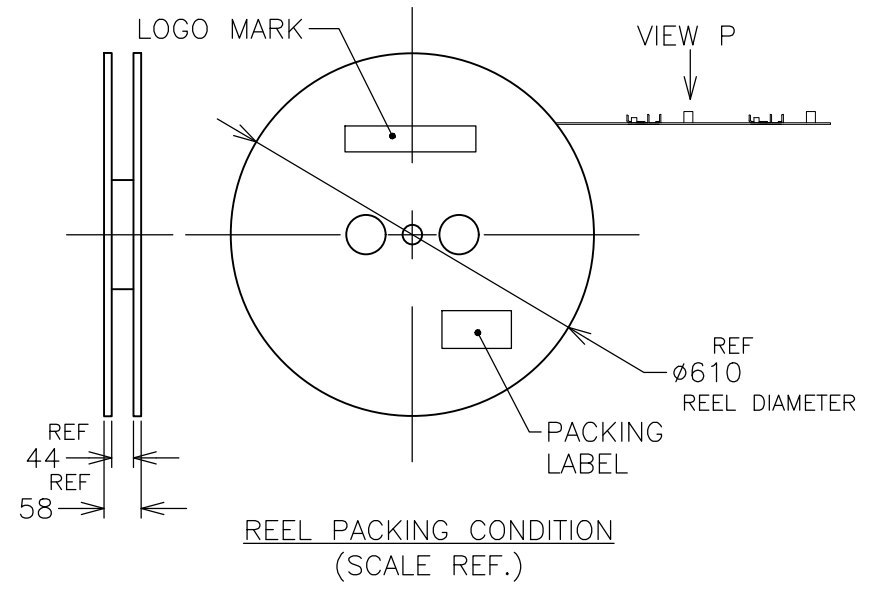
AS SHOWN : -2(30P)



AS SHOWN : -1(20P)



DETAIL E
(SCALE 20:1)



REEL PACKING CONDITION
(SCALE REF.)

GENERAL TOLERANCE	
6 MAX.	±0.2
6 OVER MAX. 30	±0.3
30 OVER MAX. 120	±0.5
ANGLE	±2°

THIS DRAWING IS A CONTROLLED DOCUMENT.	
DIMENSIONS: 単位: 耗 mm	TOLERANCES UNLESS OTHERWISE SPECIFIED: 一般公差
	0 RLC ± -
	1 PLC ± -
	2 PLC ± -
	3 PLC ± -
	4 PLC ± -
	ANGLES ± -
MATERIAL 材料	FINISH 仕上

①	UPPER SHELL	COPPER ALLOY, Au OVER Ni
ITEM	PART NAME	MATERIAL & FINISH \triangle
DWN	Y.SHINO	18SEP2009
CHK	S.KAJINUMA	18SEP2009
APVD	S.KAJINUMA	18SEP2009
PRODUCT SPEC	LCD COAXIAL EMBEDDED DISPLAY INTERFACE (LCEDI) 0.5mm PITCH PLUG UPPER SHELL	
APPLICATION SPEC	108-78659	NAME 名称
取付適用規格	114-5456	SIZE
WEIGHT	0.000000	CAGE CODE
CUSTOMER DRAWING		A3 00779
SCALE 尺度		4:1
SHEET		1 OF 1
REV		B



X-ON Electronics

Largest Supplier of Electrical and Electronic Components

Click to view similar products for [I/O Connectors](#) category:

Click to view products by [TE Connectivity](#) manufacturer:

Other Similar products are found below :

[571763P](#) [72.250.1628.2](#) [72.250.2428.2](#) [74720-0505](#) [76.350.0729.0](#) [76871-1403](#) [FCN-244F080-G/1](#) [FCN-260A9920](#) [MP-5T180MUNNA-005](#)
[PCR-E36PM](#) [PCS-XE26MA+](#) [G38A71314B](#) [1571250010](#) [157-22500-3](#) [MS3471L14-19P L/C](#) [91-569786-35H](#) [172501-4002](#) [172501-6002](#)
[FCN-260C008-A/L0](#) [FCN-260C024-AL0](#) [FCN-261Z008](#) [2000314-1](#) [200331-1](#) [PCR-E36FC+](#) [PCS-E28FS+](#) [PCS-XE26SLFD+](#) [PCS-](#)
[XE26SLFDT+](#) [G730VID08BDC24](#) [U90B2054081210](#) [UE86K842720321](#) [38113800006](#) [DP3AR020WQ1R200](#) [Z4.102.0680.0](#) [500-1040](#)
[500-1052](#) [500-1054](#) [ZP-4008-66L](#) [0709821002](#) [10-565995-597N](#) [DX40-20P\(55\)](#) [5554841-1](#) [MS3474W18-8P-LC*](#) [U90B3054061110](#) [U65-](#)
[E04-4020](#) [ZPF000000000097891](#) [557-262M2-06C](#) [747360449](#) [10099439-003C-TRLF](#) [10137239-0021LF](#) [E9320-001-01](#)