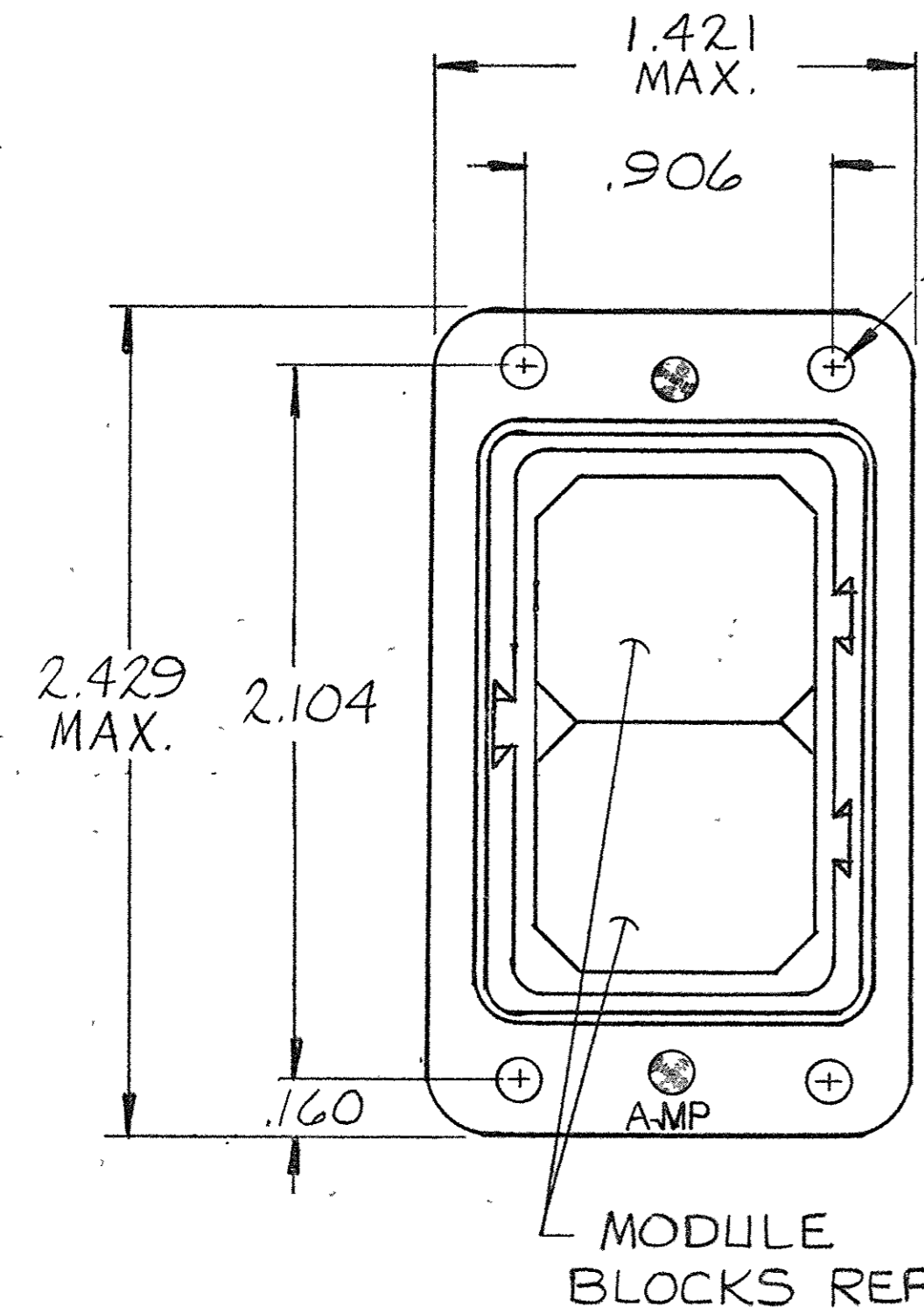


© 1964 BY AMP INCORPORATED. ALL RIGHTS RESERVED. AMP PRODUCTS COVERED BY PATENTS AND/OR PATENTS PENDING. APPROVED PER GOVT. CONTRACT NO.

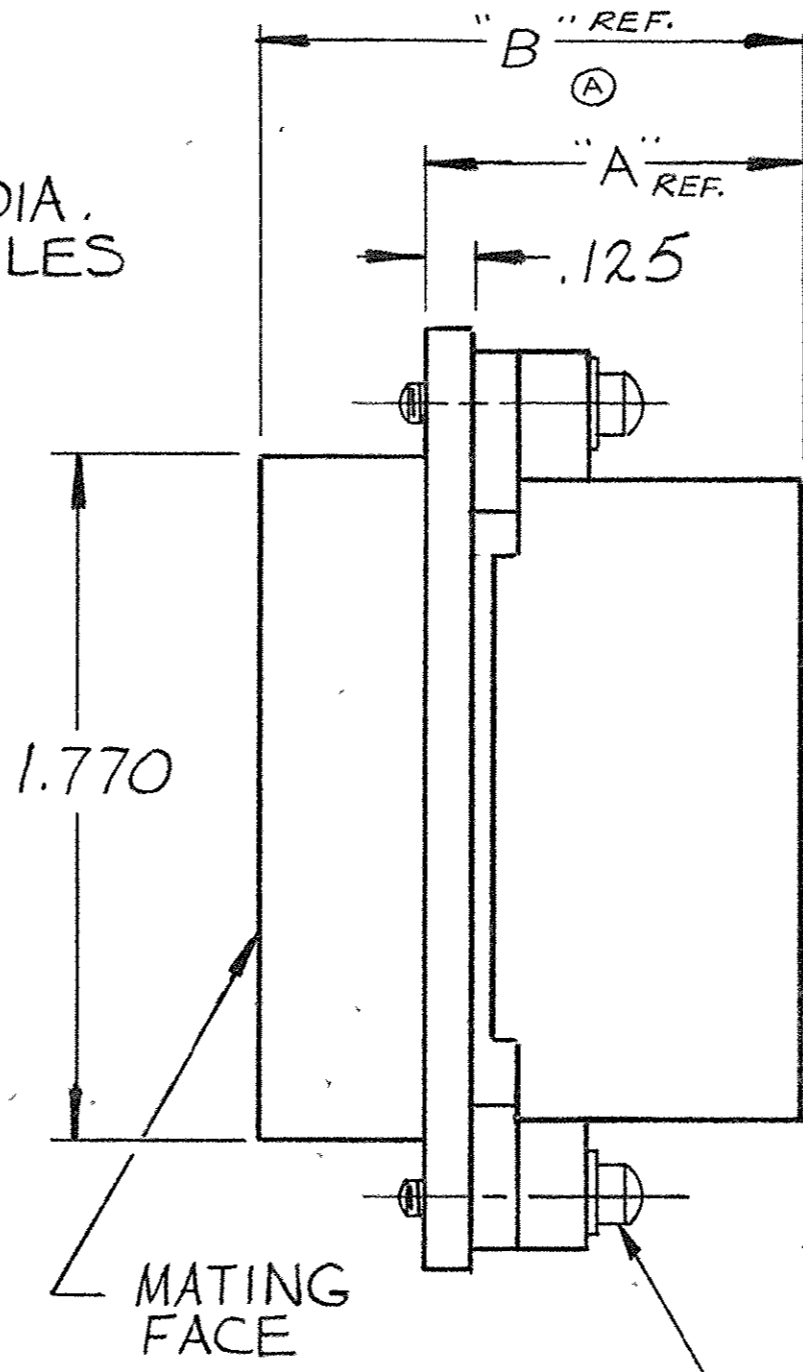
NUMBER 202681

Unpublished copy not to be distributed without written permission of AMP INCORPORATED, HARRISBURG, PA.

REVISIONS				
SYM	ZONE	DESCRIPTION	DATE	APPROVAL
O		RELEASED WAS M5012-296	12-30-64	W.B. / E.S.H.
A		REVISED W-421 W-524	8-2-5	M.S. DM
B		REVISED W-777	10-14-5	M.S. DH
C		REV. PER ECN Z-807, LIA	11-21-68	DM
D		REVISED D576	2-24-73	KV / JH
E		REV. / ECN H-220	8-14-80	CLZ
F		REV. / ECN R-1648	11-11-85	MPH / J.M.L.
G		REV PER DF-2235	T.W. 9-5-89	MES
H		REV PER DF-2547	J.M. 12-8-89	S.M.
J		REV PER ELD-05-001A12	AL 05/05	PL
K		REV PER ECO-05-005359	11/05	PY/DE



.120 DIA. (4) HOLES



- 202681-1. 1. AS SHOWN
- 202681-2. 1. SAME AS -1 EXCEPT:
2. FILLISTER HEAD SCREWS
- 202681-3. 1. SAME AS -2 EXCEPT:
2. "A" AND "B" DIMENSIONS.
- 202681-4. 1. SAME AS -3 EXCEPT:
2. HARDWARE IS NON-MAG. SST.
- 5-202681-2. 1. SAME AS -2 EXCEPT:
2. PLATING
- 5-202681-3. 1. SAME AS -3 EXCEPT:
2. PLATING

SUPERSEDED BY 5-2

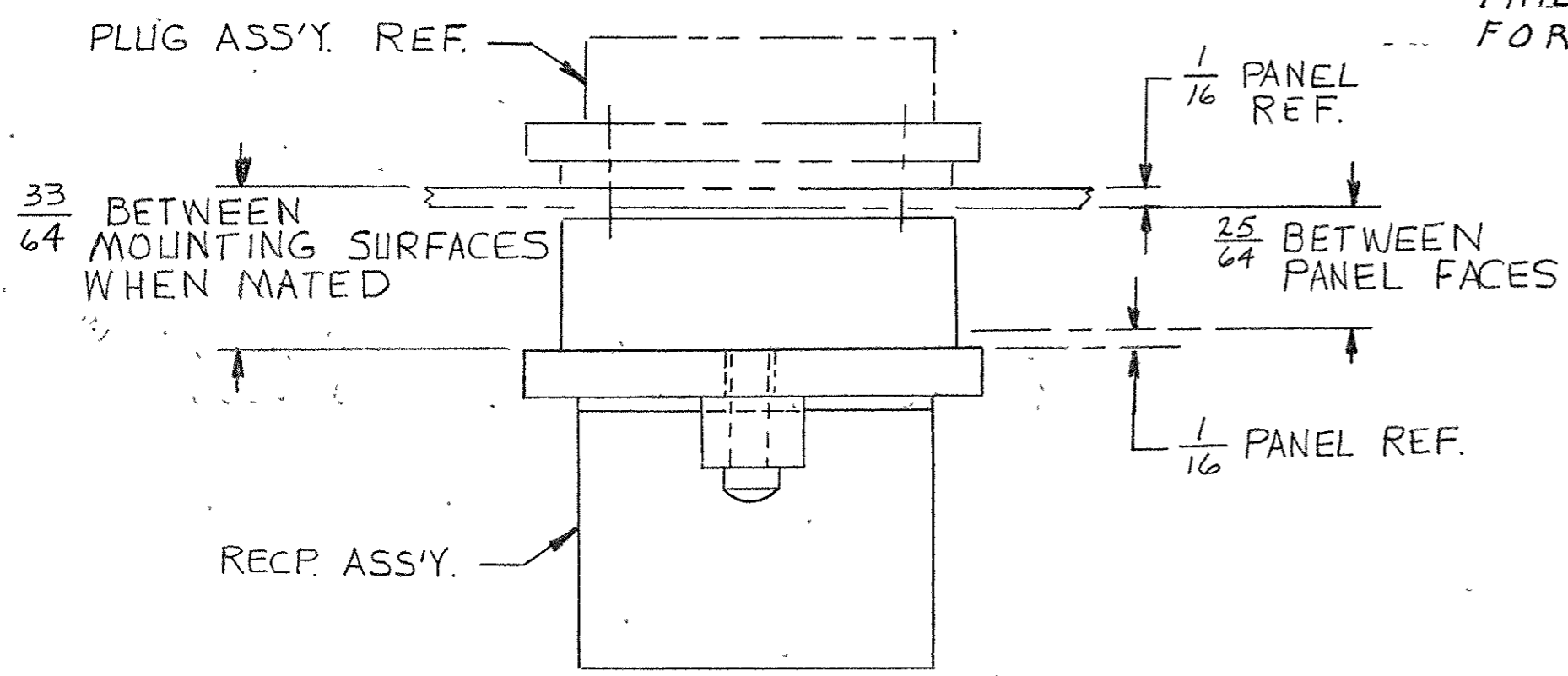
SUPERSEDED BY 5-3

NOTE:
 1. ZINC PLATE PER ASTM-B-633 CLASS 2 COLORLESS SUPPLEMENTARY CHROMATE.
 2. PLATED ELECTROLESS NICKEL PER SAE-AMS-C-26074 .000400-.000800 THK (NO INTENTIONAL ADDITIONS OF LEAD OR CADMIUM PER DFE STD 230-700).

PHILLIPS HD. SCREWS FOR -1 ONLY

SUPERSEDED BY 5-202681-3
 SUPERSEDED BY 5-202681-2

REV	SYM	ZONE	DESCRIPTION	DATE	APPROVAL
5	202681-3		.595 1.103		1
5	202681-2		1.001 1.509		1
	202681-4		.595 1.103		1
	202681-3		.595 1.103		1
	202681-2		1.001 1.509		1
	202681-1		1.001 1.509		1



AMP INFO	LOC	PRINT DIST	STY	REGD	NOMENCLATURE OR DESCRIPTION	PART OR IDENTIFYING NO	"A"	"B"	FINISH
	DF	J	BO						
UNLESS OTHERWISE SPECIFIED DIMENSIONS ARE IN INCHES TOLERANCES ON FRACTIONS DECIMALS ANGLES ± .005 ±									
MATERIAL		SIGNATURE		DATE		AMP INCORPORATED HARRISBURG, PENNSYLVANIA			
DIE CAST ALUMINUM		K. Jones		6/8/64		RECEPTACLE ASSEMBLY MODULE			
HEAT TREAT		CHKD		DATE		CODE IDENT NO			
— 1 —		R.S. Heide		1/8/65		00779 - C			
FINISH		DSGN ENGR		DATE		SIZE			
SEE NOTE 1		L.B. Miller		1-11-65		NUMBER			
		APPR		DATE		SCALE			
		C. C. C.		1/1/65		2 - 1			
		OTHER APPD				WT CALC ACTUAL SHEET			
						202681-2			

X-ON Electronics

Largest Supplier of Electrical and Electronic Components

Click to view similar products for [Rack & Panel Connectors](#) category:

Click to view products by [TE Connectivity](#) manufacturer:

Other Similar products are found below :

[00171410002](#) [00171420202](#) [00171440002](#) [02-014-013-5200-000](#) [613467-000](#) [CTJ112E01E-513](#) [CTJ116E03A-513](#) [66020-2](#) [CW8958-000](#)
[699886-000](#) [D250-50632](#) [70.400.3240.0](#) [70.955.2453.3](#) [733753-000](#) [F22831-000](#) [780-522-DPX34RG8-02](#) [8660-501](#) [87.060.0053.0](#)
[900709N001](#) [928358-1](#) [D-659-0061](#) [1-445717-6](#) [1484469-2](#) [1604997-2](#) [MTC100-BF1-P31CS015](#) [MTC100-KT2-0083](#) [MTC100-KT2-0123-](#)
[003](#) [MTC100-YA1-005](#) [MTCQKT1R2PGCA](#) [MTCR-103-04S](#) [MTCX1X-100-100CS025](#) [1738331-1](#) [1757667-1](#) [1811481-1](#) [1883433-1](#)
[201046-7](#) [202648-4](#) [213364-1](#) [226503-000](#) [937028-164](#) [1663130-2](#) [172305-4](#) [F36711-000](#) [202355-2](#) [202356-2](#) [G16S-A](#) [G20S-AB](#) [CHA-](#)
[0017-003](#) [CHA-0296](#) [354654-000](#)