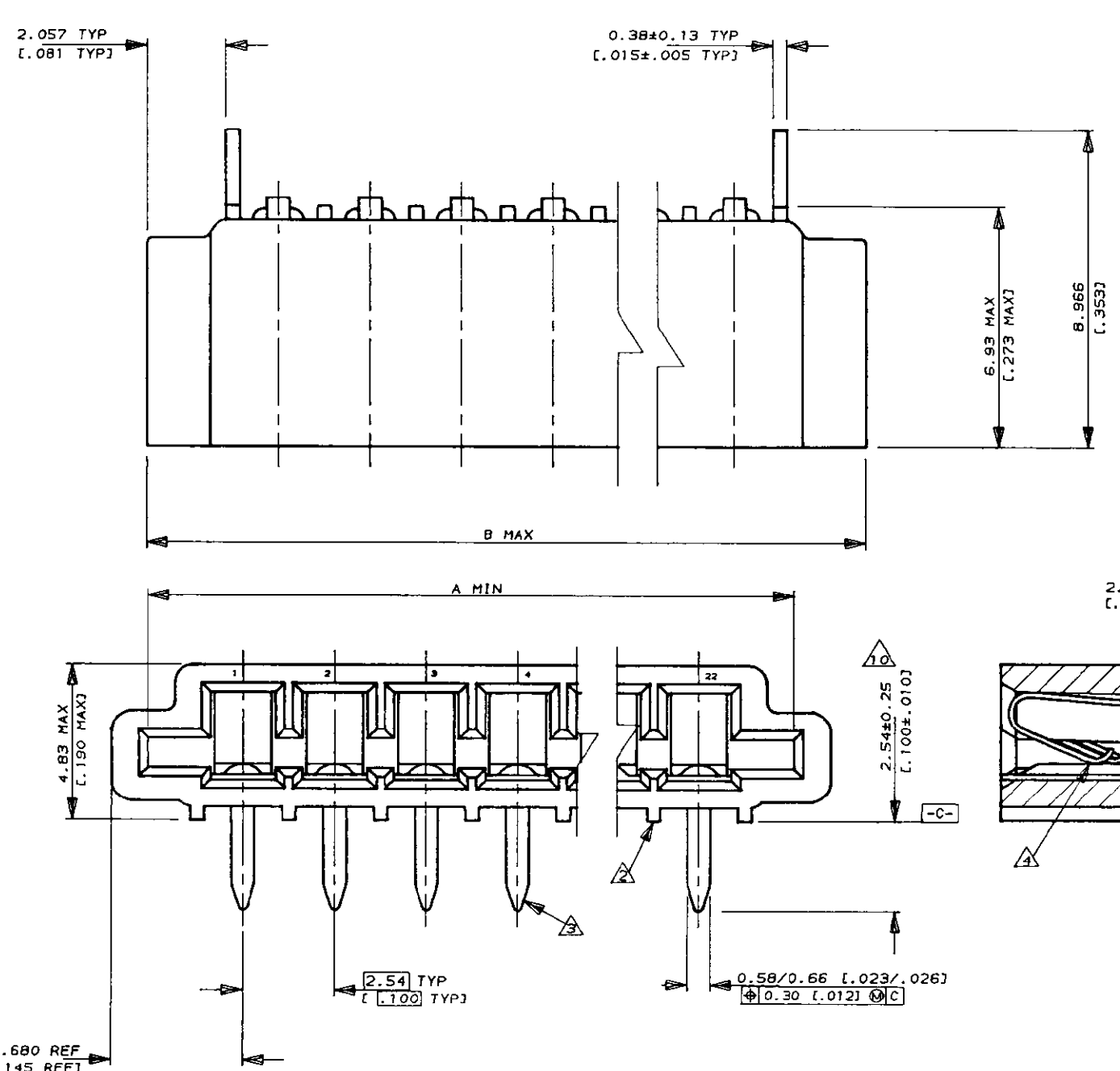


NUMBER 520314
 METRIC
 DIMENSIONS IN MM (INCHES). DO NOT SCALE PRINT
 PRINT DIST



- NOTES
- 1 CONNECTOR WILL ACCEPT FLEXIBLE PRINTED CIRCUIT OR FLAT FLEXIBLE CABLE ON 2.54 [0.100] CENTERS IN A THICKNESS RANGE OF 0.127 TO 0.381 [0.005 TO 0.015] IN CONTACT AREA
 - 2 STAND-OFFS PREVENT SOLVENT ENTRAPMENT
 - 3 LEAD-IN ON PINS FOR EASE OF INSERTION INTO BOARD
 - 4 SEQUENTIAL CONTACTS REDUCE CABLE INSERTION FORCE
 - 5 STABILIZING WING MAY BE REMOVED BY CUSTOMER IF NECESSARY
 - 6 ALTERNATING CONTACT FORM RETAINS CONNECTOR IN P.C. BOARD DURING SOLDER OPERATION
 - 7 ACCEPTS CABLE OR CIRCUITRY WITH EXPOSED CONDUCTORS FACING TOWARD OR AWAY FROM THE BOARD SURFACE
 - 8 REFER TO APPLICATION SPEC 114-2062
 - 9 MATERIAL
HOUSING : GLASS REINFORCED POLYESTER
THERMOPLASTIC UL 94 VO RATED, BLACK
CONTACT : PHOS BRONZE WITH MATTE TIN FINISH.
 - 10 AREA INDICATED SHALL MEET SOLDERABILITY SPEC 109-11-1
 - 11 OBSOLETE PARTS: OBSOLETE CIS STREAMLINING PER D.RENAUD/D.SINISI

LEAD FREE				SUPERSEDED		
OBsolete	Part No	Packing	B	A	POS	Part No
520314-2	60.78 [2.393]	58.62 [2.308]	22	2-520314-2		2-520314-2
520314-1	58.24 [2.293]	56.08 [2.208]	21	2-520314-1		2-520314-1
520314-0	55.70 [2.193]	53.54 [2.108]	20	2-520314-0		2-520314-0
6-520314-9	53.16 [2.093]	51.00 [2.008]	19	1-520314-9		1-520314-9
520314-8	50.62 [1.993]	48.46 [1.908]	18	1-520314-8		1-520314-8
6-520314-7	48.08 [1.893]	45.92 [1.808]	17	1-520314-7		1-520314-7
6-520314-6	45.54 [1.793]	43.38 [1.708]	16	1-520314-6		1-520314-6
6-520314-5	43.00 [1.693]	40.84 [1.608]	15	1-520314-5		1-520314-5
520314-4	40.46 [1.593]	38.30 [1.508]	14	1-520314-4		1-520314-4
6-520314-3	37.92 [1.493]	35.76 [1.408]	13	1-520314-3		1-520314-3
6-520314-2	35.38 [1.393]	33.22 [1.308]	12	1-520314-2		1-520314-2
6-520314-1	32.84 [1.293]	30.68 [1.208]	11	1-520314-1		1-520314-1
6-520314-0	30.30 [1.193]	28.14 [1.108]	10	1-520314-0		1-520314-0
5-520314-9	27.76 [1.093]	25.60 [1.008]	9	520314-9		520314-9
5-520314-8	25.22 [0.993]	23.06 [0.908]	8	520314-8		520314-8
5-520314-7	22.68 [0.893]	20.52 [0.808]	7	520314-7		520314-7
5-520314-6	20.14 [0.793]	17.98 [0.708]	6	520314-6		520314-6
5-520314-5	17.60 [0.693]	15.44 [0.608]	5	520314-5		520314-5
5-520314-4	15.06 [0.593]	12.90 [0.508]	4	520314-4		520314-4
520314-3	12.52 [0.493]	10.36 [0.408]	3	520314-3		520314-3
5-520314-2	9.98 [0.393]	7.82 [0.308]	2	520314-2		520314-2

S3 ECR-10-022530 KK HMR 07FEB11				Copyright ©1993		Copyright ©1993		TE Connectivity	
S2 ECO-10-000445 KK AEG 11JAN10				TE MFG (S) PTE LTD.		ALL RIGHTS RESERVED.		TE Connectivity	
S1 REVISED AS PER ECR-06-04332 PM KS 21FEB06				(WIRE RANGE)		(INSULATION DIA.)		(NAME)	
S REVISED FRO00-0011-04 SD PCH 19FEB04				mm ² (AWG -)		mmØ		TRIOMATE HORIZONTAL CABLE ENTRY	
R REVISED DY/EC/0920 LWY SL 13.12.93				(MATERIAL)		(FINISH) CONTACTS		FOR 1.57 [0.062] THK P.C. BOARD	
Q REDRAWN DY/EC/0784 LWY SL 30.7.93				DR. WYLEE 30.7.93		DE. A.SOH		(GENERAL TOLERANCE)	
LTR (REVISION RECORD) DR CHK DATE				CHK. SALLY 30.7.93		APP. PETER de JONG		±.38	
								SIZE LOC (No.)	
								A3 DY 520314	
								(SCALE) REV. SHEET	
								6:1 S3 1 OF 1	

(CUSTOMER DRAWING)

X-ON Electronics

Largest Supplier of Electrical and Electronic Components

Click to view similar products for [FFC & FPC Connectors](#) category:

Click to view products by [TE Connectivity](#) manufacturer:

Other Similar products are found below :

[HFW11R-1STE1H1LF](#) [FH29B-100S-0.2SHW\(99\)](#) [FA5S008HP1](#) [FH29B-120S-0.2SHW\(99\)](#) [FH29B-80S-0.2SHW\(99\)](#) [FHS-16](#) [FPH-2022G](#)
[52610-1075](#) [52610-1275](#) [52610-1934](#) [XF3M\(1\)-1415-1B-R100](#) [501864-3091-TR225](#) [0525594033](#) [086210010340800](#) [086222026001800](#)
[52271-2869-CUT-TAPE](#) [62684-36210E9ALF](#) [52610-1675](#) [52746-1671-TR250](#) [AYF330735](#) [10051922-2810EHLF](#) [6-520415-9](#) [BD021-09A-](#)
[A1-0350-0200-0550-LD](#) [SFV6R-1STE9HLF](#) [XF3M-2915-1B-R100](#) [1658549-1](#) [62674-221121ALF](#) [151660622](#) [842-816-2630-035](#)
[AYF530665TA](#) [AYF351525](#) [046296011930846+](#) [AYF352325A](#) [046254020000800+](#) [FH19C-13S-0.5SH\(99\)](#) [FH39J-51S-0.3SHW\(99\)](#)
[AYF355125A](#) [AYF530365TA](#) [FH29B-44S-0.2SHW\(99\)](#) [SFW5R-2STAE9LF](#) [AYF351125A](#) [AYF350725A](#) [62684-502100AHLF](#) [FH39-61S-](#)
[0.3SHW\(99\)](#) [AYF414035A](#) [10064555-172520HLF](#) [AYF212335A](#) [504754-2500](#) [SFW7S-2STME1LF](#) [FH39-45S-0.3SHW\(99\)](#)