

4

3

2

1

THIS DRAWING IS UNPUBLISHED.

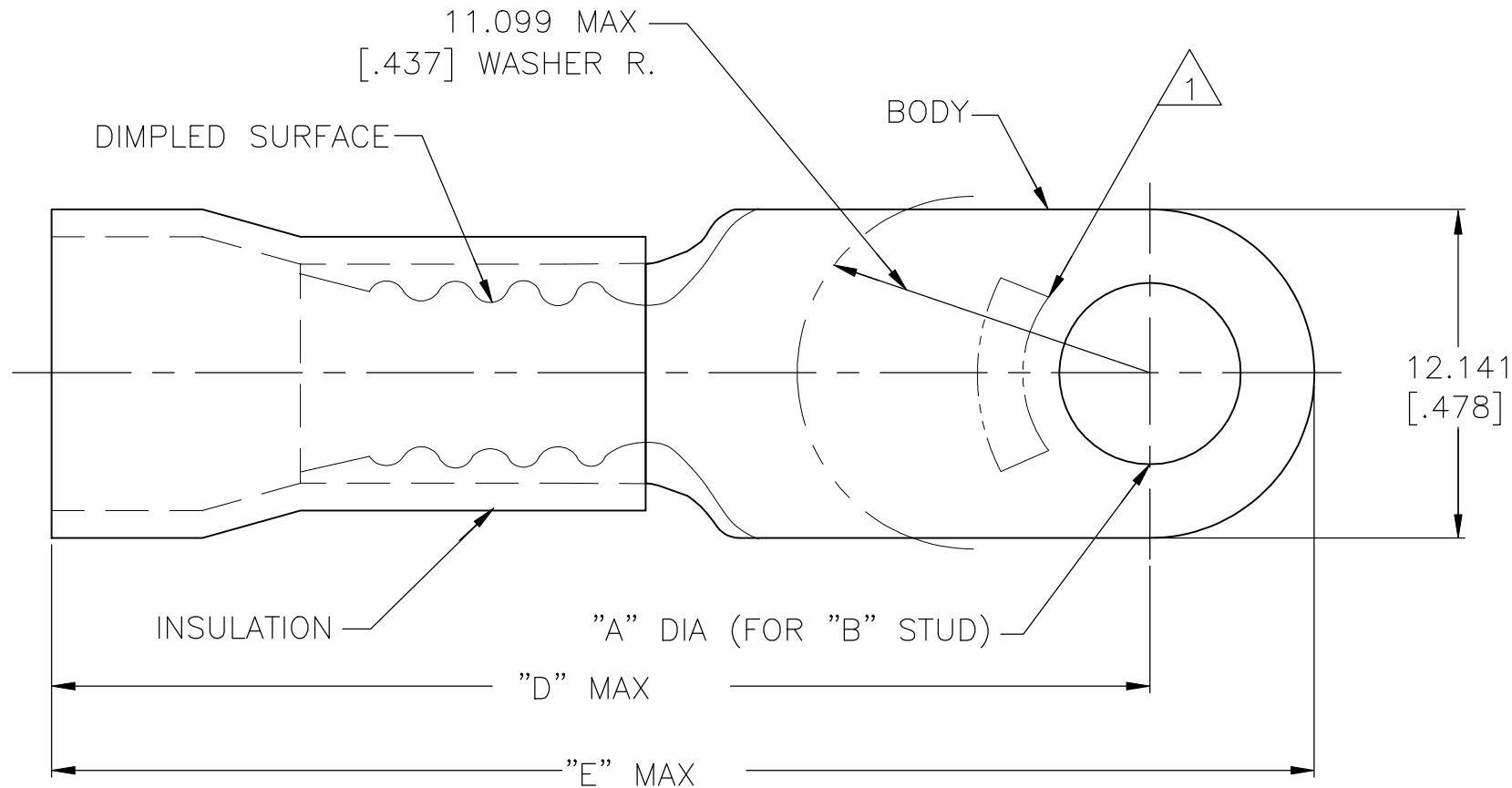
RELEASED FOR PUBLICATION

REVISIONS

© COPYRIGHT - By - ALL RIGHTS RESERVED.

P	LTR	DESCRIPTION	DATE	DWN	APVD
	R3	REVISED PER ECO-11-004587	07APR11	RK	HMR
	R4	REVISED PER ECO-17-014338	27MAR2018	RS	DR

AMP WIRE RANGE	 FILE E13288	 LR7189 Certified
8 AWG STRANDED	8 AWG STRANDED	8 AWG STRANDED



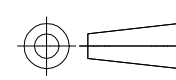
- 1 STAMP AMP 8* LOCATE APPROX AS SHOWN
- 2 BODY MATERIAL THK 0.991±0.051[.039±.002]
- 3 SEE TABLE FOR WIRE INSULATION DIA MAX
- 4 TAPE ITEMS ARE ON 30.480[1.200] CENTERS

"E"	"D"	WIRE INSULATION DIA	"B"	"A"	QTY	PACKAGE TYPE	PART NO
40.640 [1.600]	34.493 [1.358]	8.382 [.330]	M6[1/4]	6.731±0.127 [.265±.005]	500	ON TAPE	52041-9
40.284 [1.586]	34.137 [1.344]	9.144 [.360]	M4[#8]	4.343±0.076 [.171±.003]			52041-7
40.640 [1.600]	34.493 [1.358]	8.382 [.330]	M6[1/4]	6.731±0.127 [.265±.005]	100	LOOSE PC	52041-6
40.284 [1.586]	34.137 [1.344]	9.144 [.360]	M4[#8]	4.343±0.076 [.171±.003]			52041-3
							52041-1
							52041

AMP INCORPORATED CUSTOMER SERVICE SYSTEMS		MAX RECOMMENDED OPERATING TEMPERATURE: 105°C[221°F]
FOR ADDITIONAL PRODUCT INFORMATION OR COPIES OF DRAWINGS AND TECHNICAL DOCUMENTS	PRODUCT INFORMATION CENTER 1-800-522-6752	VOLTAGE RATING: 600 V MAX
FOR APPLICATION TOOLING INFORMATION	TOOLING ASSISTANCE CENTER 1-800-722-1111	CIRCULAR MIL AREA: 6.64-10.54mm²[13,100-20,800] STRANDED
FOR ORDER ENTRY	1-800-526-5142	

THIS DRAWING IS A CONTROLLED DOCUMENT.

DIMENSIONS: mm [INCHES]



TOLERANCES UNLESS OTHERWISE SPECIFIED:

0 PLC	± -
1 PLC	± -
2 PLC	± -
3 PLC	± 0.127[.005]
4 PLC	± -
ANGLES	± -

MATERIAL
COPPER PER ASTM B-152
INSULATION: PVC

FINISH
BODY: TIN PLATE
PER ASTM-B545
INSULATION: COLOR-RED

DWN	S.S. GOULDEN	9-28-93
CHK	R. HERSEY	9-28-93
APVD	B. BARE	9-28-93
PRODUCT SPEC	UL 486 A-B	
APPLICATION SPEC	114-2161	
WEIGHT	A3 00779 C=52041	
CUSTOMER DRAWING		



NAME				TERMINAL, RING TONGUE, PLASTI-GRIP WIRE SIZE: 8 AWG			
SIZE	CAGE CODE	DRAWING NO	RESTRICTED TO				
A3	00779	C=52041	-				
SCALE	4:1	SHEET	1 OF 1	REV	R4		

X-ON Electronics

Largest Supplier of Electrical and Electronic Components

Click to view similar products for [Terminals](#) category:

Click to view products by [TE Connectivity](#) manufacturer:

Other Similar products are found below :

[00-054007-01074-6](#) [00-054007-70206-1](#) [00-054007-70210-8](#) [00-054007-70217-7](#) [00-054007-70226-9](#) [00-054007-70228-3](#) [00-054007-70248-1](#) [00-054007-70256-6](#) [00-054007-70301-3](#) [00-054007-70316-7](#) [00-054007-49560-4](#) [00-054007-70209-2](#) [00-054007-70225-2](#) [00-054007-70227-6](#) [00-054007-70231-3](#) [00-054007-70241-2](#) [00-054007-70242-9](#) [00-054007-70244-3](#) [00-054007-70246-7](#) [00-054007-70263-4](#) [00-054007-70288-7](#) [00-054007-70290-0](#) [00-054007-70300-6](#) [00-054007-70304-4](#) [01-2065-1-0216](#) [01-2900-1-04412](#) [00581P0075](#) [600TS-10](#) [60205-1](#) [604200-1](#) [605601-1](#) [60598-1-CUT-TAPE](#) [61314-6-C](#) [61810-3](#) [61-S](#) [61-SN](#) [626-0194](#) [62-NBM-A](#) [62-SN](#) [62-SP](#) [63-S](#) [640179-1](#) [M55155/059I03](#) [M55155/079C01](#) [M55155/099H02](#) [M55155/109H01](#) [M55155/109H02](#) [M55155/12XH05](#) [M55155/16XH02](#) [M55155/29-5S](#)