

4

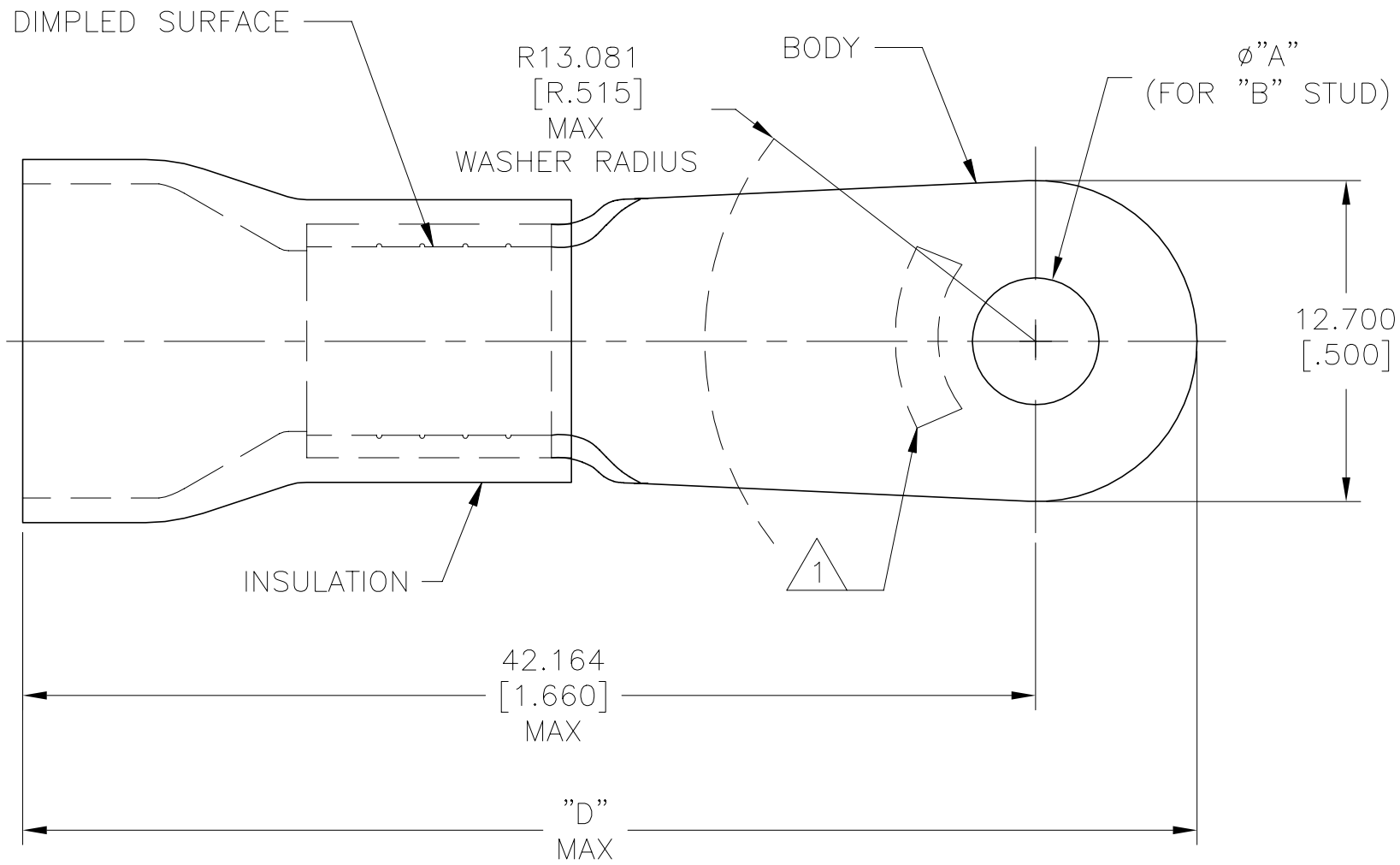
3

2

1

THIS DRAWING IS UNPUBLISHED. RELEASED FOR PUBLICATION
 © COPYRIGHT - By - ALL RIGHTS RESERVED.

REVISIONS					
P	LTR	DESCRIPTION	DATE	DWN	APVD
	AB2	REVISED PER ECO-11-004820	11MAR11	RK	HMR
	AB3	REVISED PER ECO-17-014338	16MAY2018	RS	DR
	AB4	REVISED PER ECO-19-012963	28AUG2020	SG	DR



AMP WIRE RANGE	RA FILE E13288	SR LR7189 Certified
6 AWG STRANDED	6 AWG STRANDED	6 AWG STRANDED

- 1 STAMP AMP 6* LOCATE APPROX AS SHOWN
- 2 BODY MATERIAL THK 1.143±0.051[.045±.002]
- 3 SEE TABLE FOR WIRE INSULATION DIA MAX
- 4 TAPE ITEMS ARE ON 30.480[1.200] CENTERS
- 5 NOTE DELETED
- 6 NOTE DELETED

46.838 [1.844]	11.074 [.436]	#10	5.004±0.076 [.197±.003]	500	ON TAPE	1-52042-0
47.473 [1.869]	9.144 [.360]	M6[1/4]	6.731 [.265]			52042-9
46.838 [1.844]	11.074 [.436]	M6[1/4]	6.731 [.265]	100	LOOSE PC	52042-7
47.473 [1.869]	9.144 [.360]					#10
46.838 [1.844]	11.074 [.436]	M6[1/4]	6.731 [.265]	100	LOOSE PC	52042-4
47.473 [1.869]	9.144 [.360]					M4[#8]
46.838 [1.844]	11.074 [.436]	M6[1/4]	6.731 [.265]	100	LOOSE PC	52042-2
47.473 [1.869]	9.144 [.360]					M4[#8]
46.838 [1.844]	11.074 [.436]	M6[1/4]	6.731 [.265]	100	LOOSE PC	52042
47.473 [1.869]	9.144 [.360]					M4[#8]
"D"	WIRE INSULATION DIA	"B"	"A"	QTY	PACKAGE TYPE	PART NO

AMP INCORPORATED CUSTOMER SERVICE SYSTEMS		MAX RECOMMENDED OPERATING TEMPERATURE: 105°C[221°F]
FOR ADDITIONAL PRODUCT INFORMATION OR COPIES OF DRAWINGS AND TECHNICAL DOCUMENTS	PRODUCT INFORMATION CENTER 1-800-522-6752	VOLTAGE RATING 600 V MAX
FOR APPLICATION TOOLING INFORMATION	TOOLING ASSISTANCE CENTER 1-800-722-1111	CIRCULAR MIL AREA: 10.54-16.77mm ² [20,800-33,100] STRANDED
FOR ORDER ENTRY	1-800-526-5142	THIS DRAWING IS A CONTROLLED DOCUMENT FOR AMP INCORPORATED. IT IS SUBJECT TO CHANGE AND THE CONTROLLING ENGINEERING ORGANIZATION SHOULD BE CONTACTED FOR THE LATEST REVISION.

THIS DRAWING IS A CONTROLLED DOCUMENT.	
DIMENSIONS: mm [INCHES]	TOLERANCES UNLESS OTHERWISE SPECIFIED:
	0 PLC ± - 1 PLC ± - 2 PLC ± - 3 PLC ± 0.127[.005] 4 PLC ± - ANGLES ± -
MATERIAL BODY: COPPER PER ASTM B-152 INSULATION: PVC	FINISH BODY: TIN PLATE PER ASTM B-545 INSULATION: COLOR-BLUE

DWN S.S. GOULDEN 9-29-93	STE TE Connectivity Ltd.	
CHK R. HERSEY 9-29-93	NAME TERMINAL, RING TONGUE, PLASTI-GRIP,™ WIRE SIZE: 6 AWG	
APVD B. BARE 9-29-93	APPLICATION SPEC 114-2161	
PRODUCT SPEC	SIZE A3	CAGE CODE 00779
WEIGHT	DRAWING NO C-52042	RESTRICTED TO -
CUSTOMER DRAWING	SCALE 4:1	SHEET 1 OF 1
		REV AB4

X-ON Electronics

Largest Supplier of Electrical and Electronic Components

Click to view similar products for [Terminals](#) category:

Click to view products by [TE Connectivity](#) manufacturer:

Other Similar products are found below :

[00-054007-01074-6](#) [00-054007-70206-1](#) [00-054007-70210-8](#) [00-054007-70217-7](#) [00-054007-70226-9](#) [00-054007-70228-3](#) [00-054007-70248-1](#) [00-054007-70256-6](#) [00-054007-70301-3](#) [00-054007-70316-7](#) [0-0320562-0](#) [00-054007-49560-4](#) [00-054007-70209-2](#) [00-054007-70225-2](#) [00-054007-70227-6](#) [00-054007-70231-3](#) [00-054007-70241-2](#) [00-054007-70242-9](#) [00-054007-70244-3](#) [00-054007-70246-7](#) [00-054007-70263-4](#) [00-054007-70288-7](#) [00-054007-70290-0](#) [00-054007-70300-6](#) [00-054007-70304-4](#) [01-2065-1-0216](#) [01-2900-1-04412](#) [00581P0075](#) [600TS-10](#) [60205-1](#) [604200-1](#) [605601-1](#) [60598-1-CUT-TAPE](#) [61314-6-C](#) [61810-3](#) [61-S](#) [61-SN](#) [626-0194](#) [62-NBM-A](#) [62-SN](#) [62-SP](#) [63-S](#) [640179-1](#) [M55155/059I03](#) [M55155/079C01](#) [M55155/099H02](#) [M55155/109H01](#) [M55155/109H02](#) [M55155/12XH05](#) [M55155/16XH02](#)