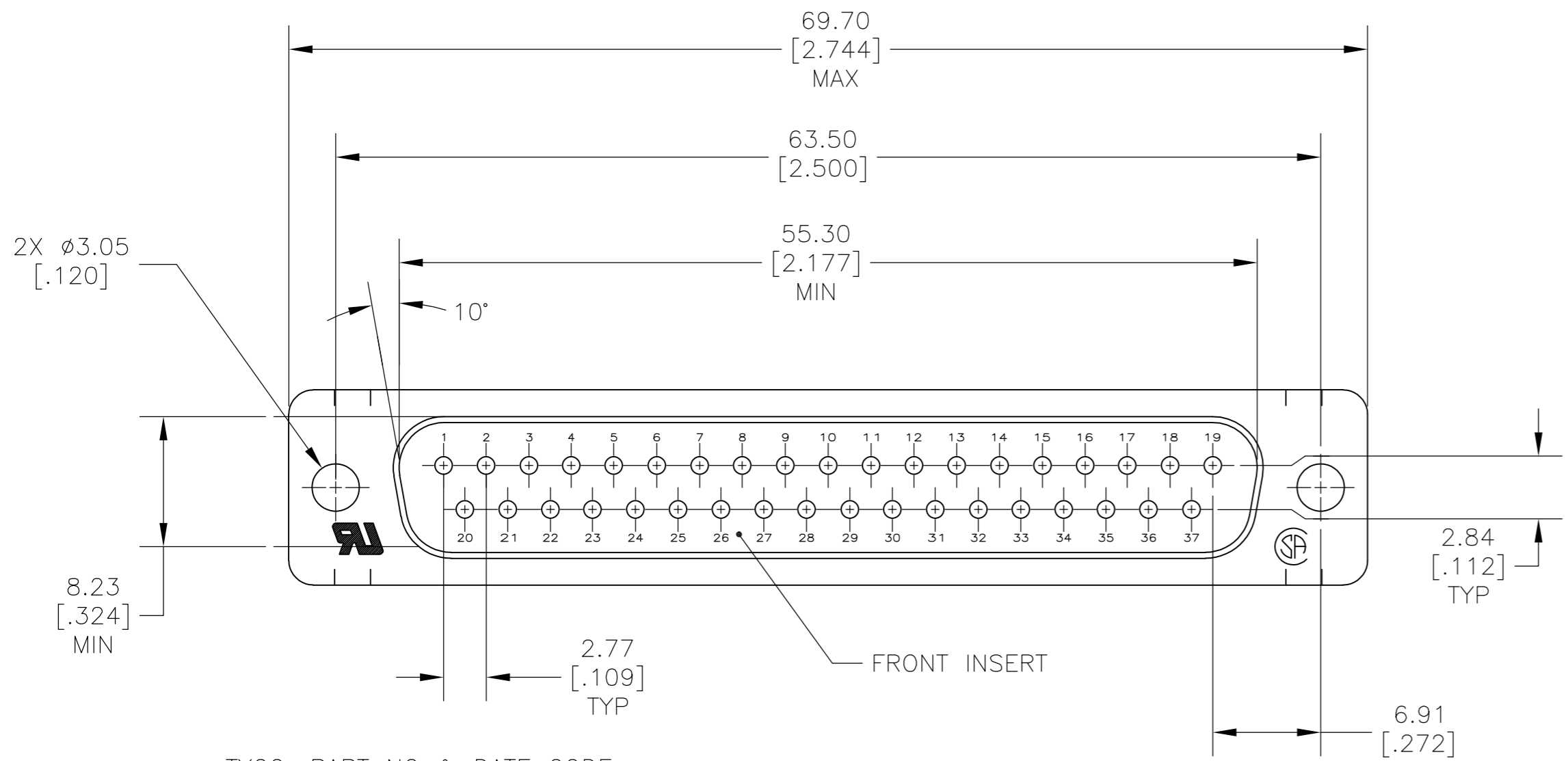


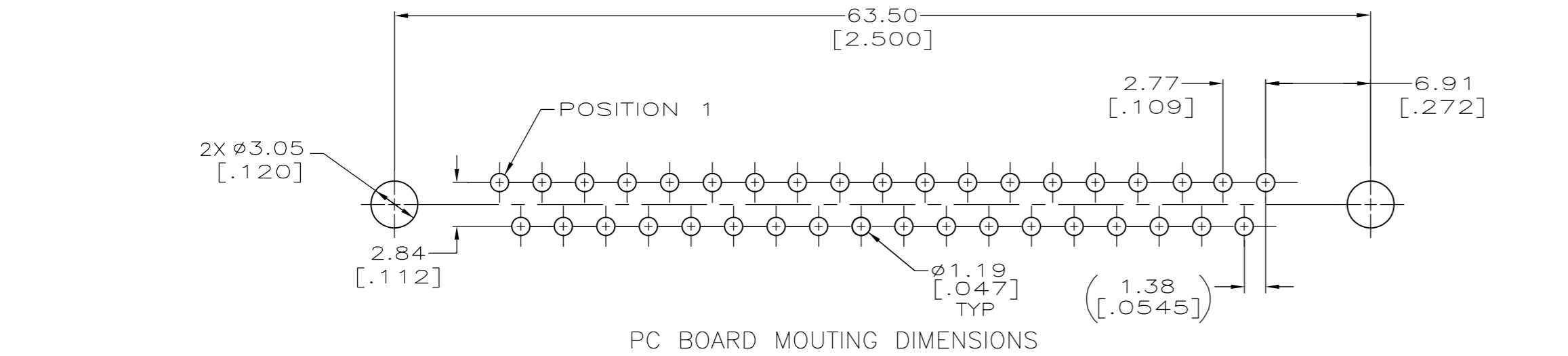
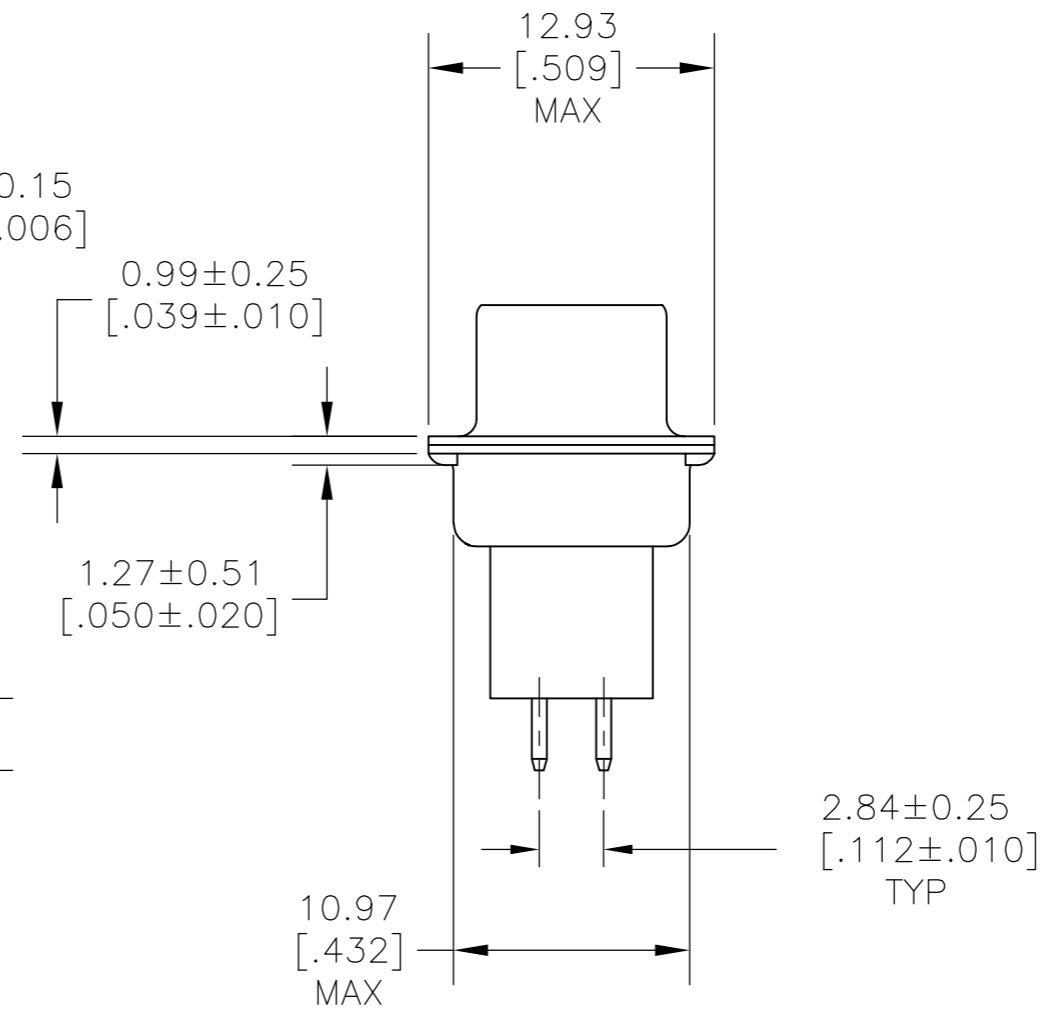
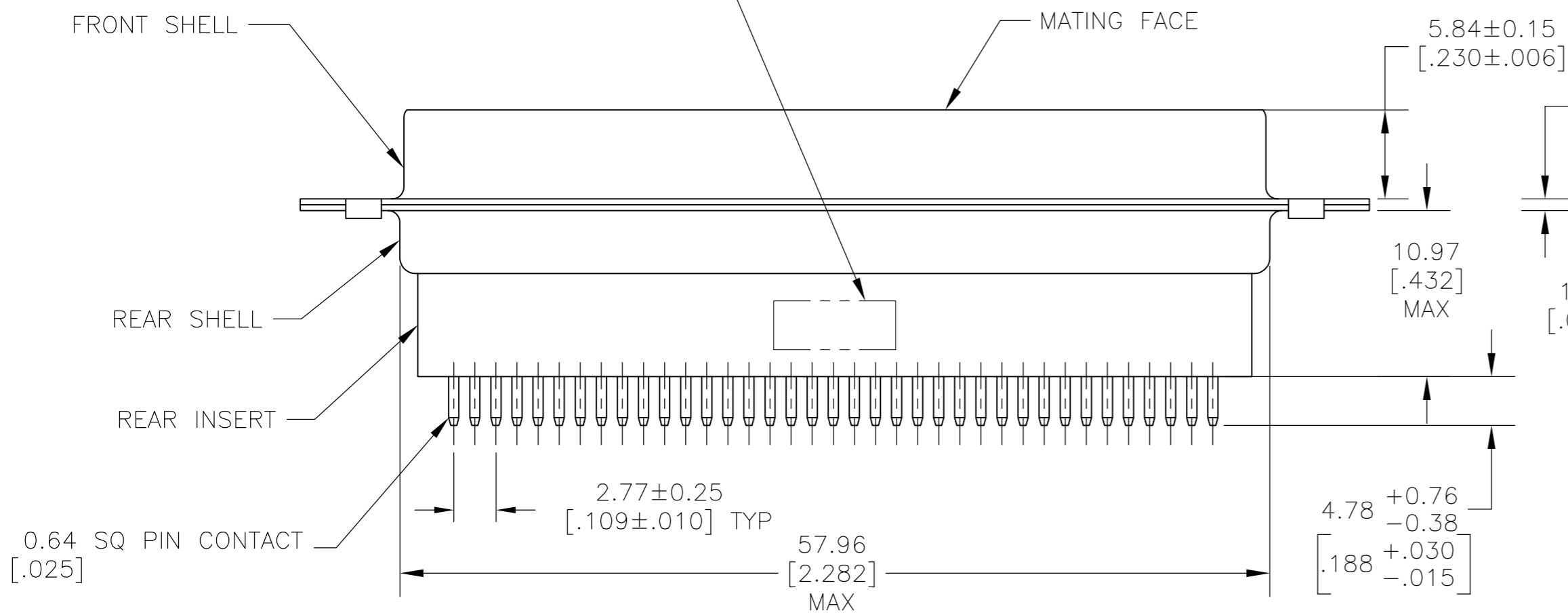
THIS DRAWING IS UNPUBLISHED. RELEASED FOR PUBLICATION
 © COPYRIGHT 2005 By - ALL RIGHTS RESERVED.

LOC	DIST	REVISIONS			
P	LTR	DESCRIPTION	DATE	DWN	APVD
GP	00	D	REVISED PER ECO-14-011808	09AUG2014	AP SB



- 1 MOLDED PARTS: GLASS-FILLED PBT OR GLASS-FILLED NYLON, UL94V-0 RATED. COLOR: BLACK
SHELLS: CARBON STEEL
CONTACTS: BRASS
- 2 SHELLS: 5.08µm [.000200] MIN ZINC WITH YELLOW CHROMATE COATING.
CONTACTS: GOLD PLATED FOR LENGTH OF 3.81 [.150] MIN FROM MATING END,
0.76µm [.000030] MIN GOLD IN MATED AREA,
2.54µm [.000100] MIN TIN ON SOLDER END, BOTH OVER
1.27µm [.000050] MIN NICKEL.
OR
GOLD FLASH OVER PALLADIUM-NICKEL PLATED FOR LENGTH OF 3.81 [.150] MIN FROM MATING END,
0.76µm [.000030] MIN TOTAL IN MATED AREA,
2.54µm [.000100] MIN TIN ON SOLDER END, BOTH OVER
1.27µm [.000050] MIN NICKEL.

TYCO, PART NO & DATE CODE MARKED IN AREA INDICATED, ON FAR SIDE



5205714-7
PART NUMBER

THIS DRAWING IS A CONTROLLED DOCUMENT.		DWN B. LATTUCA 01SEPT05		TE Connectivity		
DIMENSIONS: mm [INCHES]		CHK S. BOLASH 01SEPT05		NAME		
TOLERANCES UNLESS OTHERWISE SPECIFIED:		APVD M. WALMSLEY 01SEPT05		108-40025		
0 PLC ± - 1 PLC ± - 2 PLC ± 0.13 [.005] 3 PLC ± - 4 PLC ± - ANGLES ± -		PRODUCT SPEC APPLICATION SPEC		114-40013		
MATERIAL 1	FINISH 2	WEIGHT -	SIZE A2	CAGE CODE 00779	DRAWING NO C=5205714	
CUSTOMER DRAWING			SCALE NTS	SHEET 1 OF 1	REV D	

X-ON Electronics

Largest Supplier of Electrical and Electronic Components

Click to view similar products for [D-Sub Standard Connectors](#) category:

Click to view products by [TE Connectivity](#) manufacturer:

Other Similar products are found below :

[56F711-015](#) [012-9507-004](#) [LV242999-142T12](#) [015-0341-000](#) [015-0372-005](#) [015-0372-008](#) [015-8755-001](#) [020419-0104](#) [012-0467-000](#) [012-0515-000](#) [012-9507-034](#) [012-9507-114](#) [020745-0008](#) [609-25P](#) [M24308/2-23Z](#) [CT2-14S-2PCA34](#) [CT2-18-11PCAU](#) [CT2-36-15SC](#) [CT6-10SL-3SC](#) [CT6-10SL-4SC](#) [CT6-14S-2SC](#) [CT6E14SA7SC](#) [M83513/01-FC](#) [M83723/76W24619 L/C](#) [M85049/48-3-2F](#) [6STD09PCM99B70X](#) [6STD09SCM99B30X](#) [6STD09SCT99S40X](#) [6STD15PCT99S40X](#) [6STD15SCM99B30X](#) [6STD15SCT99S40X](#) [6STF09PCM05B70X](#) [7-135760-9](#) [MC11E-10-6SN](#) [747552-3](#) [MD1-21PS](#) [MDM-15SCBRM7-F222](#) [MDM96517-699](#) [MDM96521-744](#) [MDVB1-21SL1](#) [MIK0-1-7SH003](#) [MIKQ6-7SH076](#) [MIKQ7-7PH077](#) [MIKQ7-7PH11](#) [MIKQ7-7PH32](#) [MJSV-28SL61](#) [MKJ4A1F14-55S](#) [8-135760-3](#) [8STD09PCM99B30X](#) [PG-KV/PV-16-GROM-SEALING](#)