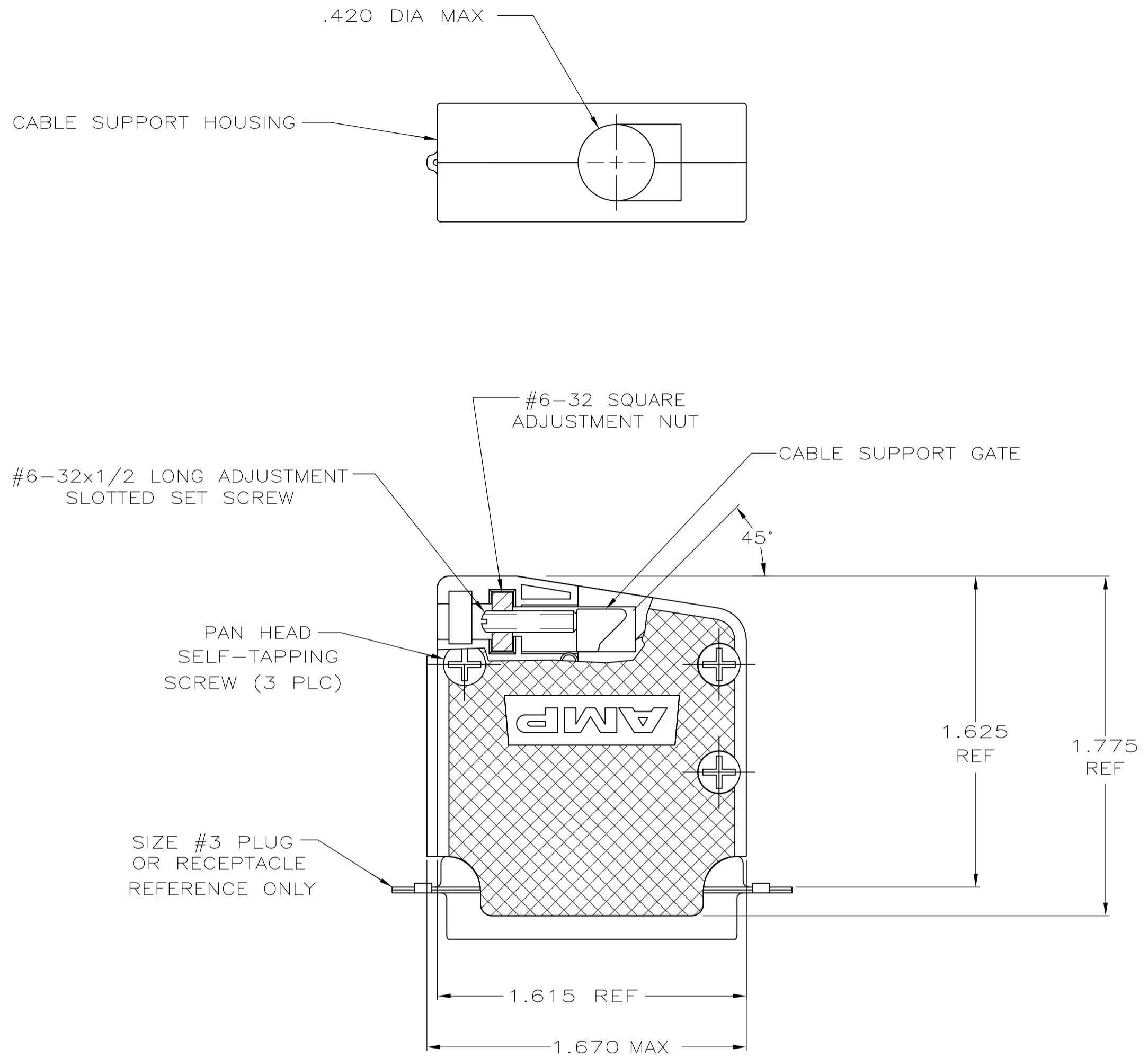


THIS DRAWING IS UNPUBLISHED. RELEASED FOR PUBLICATION
 © COPYRIGHT - By - ALL RIGHTS RESERVED.

LOC	DIST	REVISIONS			
P	LTR	DESCRIPTION	DATE	DWN	APVD
GP	00				
	A	REVISED PER ECO-13-009055	03JUN2013	CJV	CWR



- ① PARTS PACKAGED UNASSEMBLED AS A UNIT KIT.
- ② PARTS INDIVIDUALLY BULK PACKAGED & SHIPPED AS A UNIT PACKAGE KIT.
- ③ MOLDED PARTS: BLACK POLYPROPYLENE. HARDWARE: COLD ROLLED STEEL.
- ④ HARDWARE: ZINC PLATED CLEAR CHROMATE COATING.

**COPYRIGHT 2005
 TYCO ELECTRONICS CORP
 ALL RIGHTS RESERVED**

②	5205718-4
①	5205718-1
PACKAGING	PART NO

THIS DRAWING IS A CONTROLLED DOCUMENT. DIMENSIONING AND TOLERANCING PER ASME Y14.5M-2009		DWN R.RICHARDSON 22AUG05	TE Connectivity	
DIMENSIONS: INCHES		CHK C.ROHDE 22AUG05	NAME	
TOLERANCES UNLESS OTHERWISE SPECIFIED:		APVD M.WALMSLEY 22AUG05	PRODUCT SPEC	
0 PLC ± -		APPLICATION SPEC		
1 PLC ± -		WEIGHT -		
2 PLC ± -		SIZE A2		
3 PLC ± .005		CAGE CODE 00779		
4 PLC ± -		DRAWING NO C=5205718		
ANGLES ± 0°30'		RESTRICTED TO		
MATERIAL ③	FINISH ④	CUSTOMER DRAWING		
		SCALE 2:1		SHEET 1 of 1
				REV A

X-ON Electronics

Largest Supplier of Electrical and Electronic Components

Click to view similar products for [D-Sub Backshells](#) category:

Click to view products by [TE Connectivity](#) manufacturer:

Other Similar products are found below :

[173114-0084](#) [173112-1658](#) [600X51137X](#) [600X54009X](#) [66241-12A](#) [M85049/48-1-2](#) [M85049/48-3-5F](#) [M85049/6-38N](#) [M85049/86-12N03](#)
[70.350.2435.1](#) [72.350.1035.2](#) [72.352.2435.1](#) [73.359.4035.3](#) [799-015TMH07M](#) [799-015TMH08N](#) [FKH1RE](#) [829472-1](#) [F-PHG-3E](#) [F-PHG-4E](#)
[F-PHR-4E](#) [PCS-E20W](#) [8655MHRA0901KLF](#) [8655MHRA2501KLF](#) [958-009-010R011](#) [970-015-040R011](#) [970-025-040R011](#) [971-009-](#)
[030R121](#) [971-009-040R011](#) [971-015-040R011](#) [971-025-040R011](#) [GS85049/38-25M](#) [975T009-020R121](#) [975T015-020R121](#) [1-21986-2](#) [1-](#)
[21986-5](#) [DB-20962](#) [DB-C4-J11](#) [DE-C8-J9-F4-1R](#) [DE-C8-J9-F5-1R](#) [DPH-B-003](#) [1437013-9](#) [1484402-8](#) [MS3057-10A](#) [156-3025-EX](#)
[MS3417-16C](#) [16-500800](#) [165X02659X](#) [165X03399A](#) [165X10139X](#) [165X10259X](#)