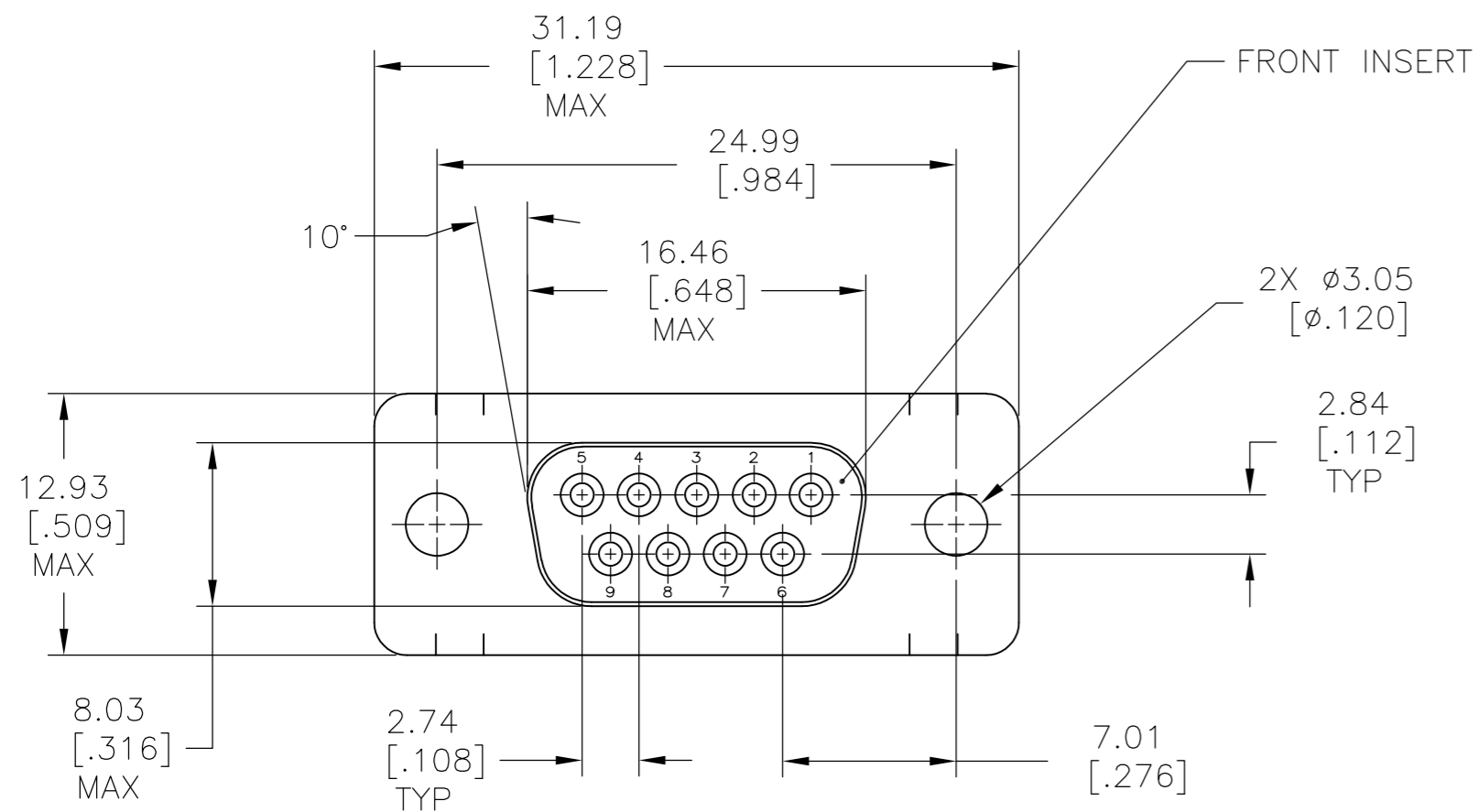
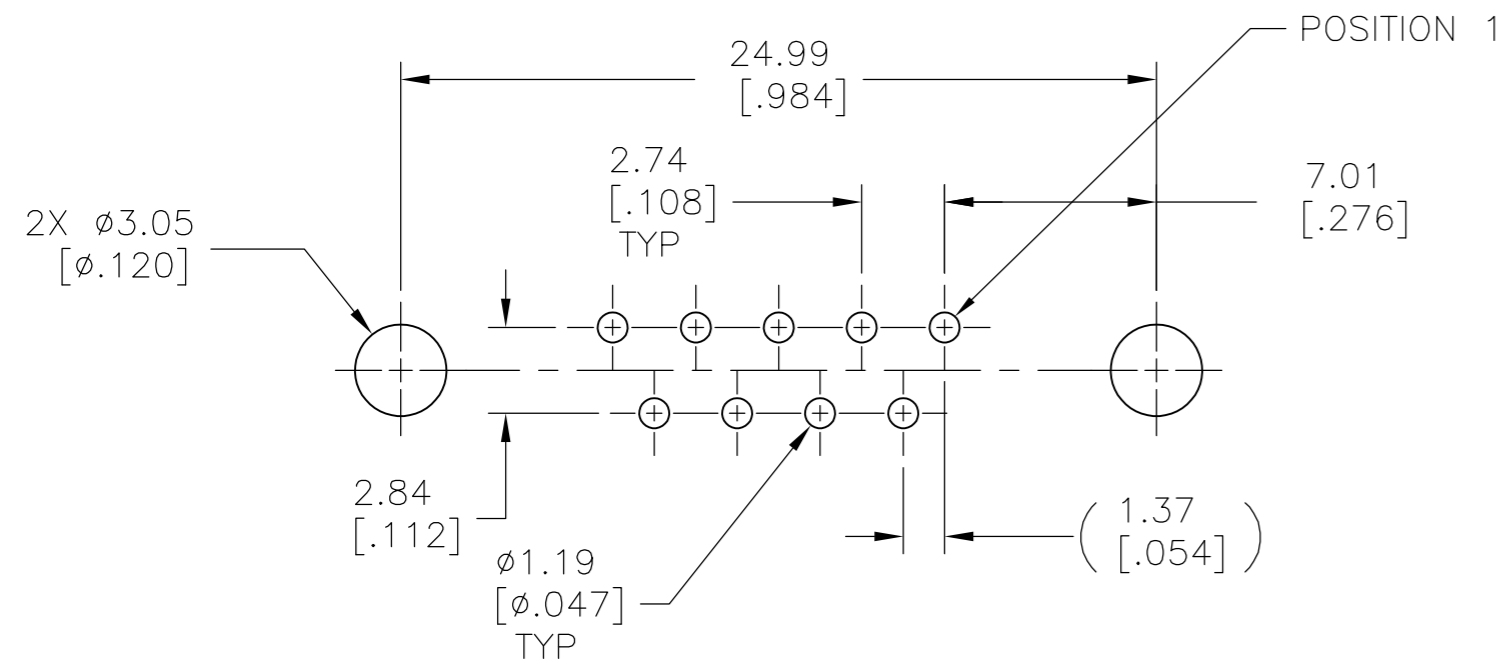
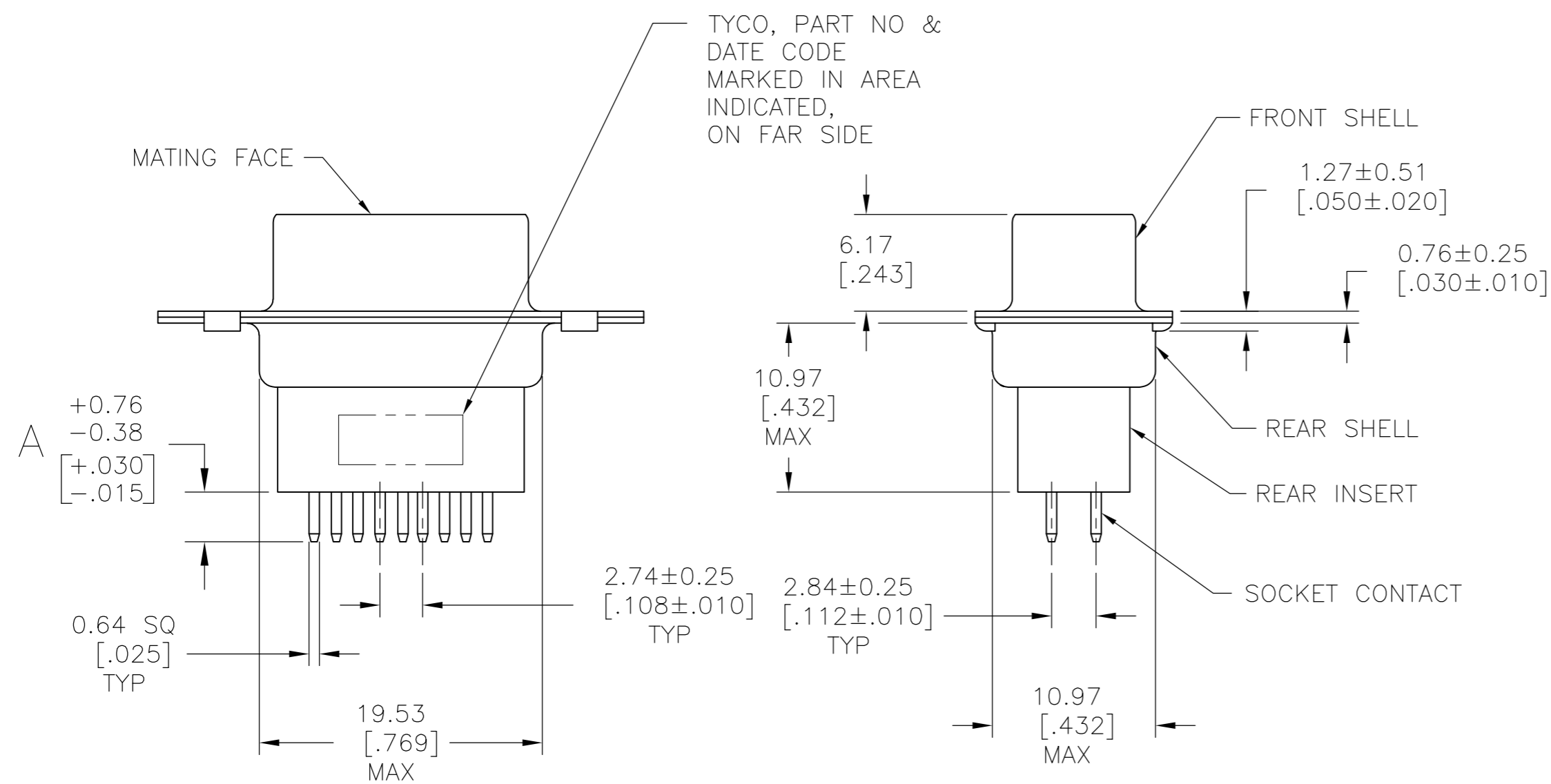


THIS DRAWING IS UNPUBLISHED. RELEASED FOR PUBLICATION  
 © COPYRIGHT 2005 By - ALL RIGHTS RESERVED.

LOC		DIST		REVISIONS			
P	LTR	DESCRIPTION		DATE	DWN	APVD	
GP	00	D		REVISED PER ECO-14-011808	09AUG2014	AP	SB



- 1 MOLDED PARTS: GLASS-FILLED PBT OR GLASS-FILLED NYLON, UL94V-0 RATED.  
 COLOR: BLACK  
 SHELLS: CARBON STEEL.  
 CONTACTS: PHOS BRONZE.
- 2 SHELLS: 5.08 $\mu$ m [.000200] MIN ZINC WITH YELLOW CHROMATE COATING.  
 CONTACTS: GOLD FLASH PLATED FOR LENGTH OF 3.81 [.150] MIN FROM MATING END,  
 2.54 $\mu$ m [.000100] MIN TIN ON SOLDER END, BOTH OVER  
 1.27 $\mu$ m [.000050] MIN NICKEL.
- 3 SHELLS: 5.08 $\mu$ m [.000200] MIN ZINC WITH YELLOW CHROMATE COATING.  
 CONTACTS: GOLD PLATED FOR LENGTH OF 3.81 [.150] MIN FROM MATING END,  
 0.76 $\mu$ m [.000030] MIN GOLD IN MATED AREA,  
 2.54 $\mu$ m [.000100] MIN TIN ON SOLDER END, BOTH OVER  
 1.27 $\mu$ m [.000050] MIN NICKEL.  
 OR  
 GOLD FLASH OVER PALLADIUM-NICKEL PLATED FOR LENGTH OF  
 3.81 [.150] MIN FROM MATING END,  
 0.76 $\mu$ m [.000030] MIN TOTAL IN MATED AREA,  
 2.54 $\mu$ m [.000100] MIN TIN ON SOLDER END, BOTH OVER  
 1.27 $\mu$ m [.000050] MIN NICKEL.



P.C. BOARD MOUNTING DIMENSIONS

3	4.78 [.188]	5205734-7
3	16.54 [.651]	5205734-5
2	10.85 [.427]	5205734-4
3	3.18 [.125]	5205734-1
GOLD FINISH		A
		PART NO

THIS DRAWING IS A CONTROLLED DOCUMENT.		DWN B. LATTUCA 02SEPT05		
DIMENSIONS: mm [INCHES]		CHK S. BOLASH 02SEPT05		
TOLERANCES UNLESS OTHERWISE SPECIFIED:		APVD M. WALMSLEY 02SEPT05		
0 PLC $\pm$ - 1 PLC $\pm$ - 2 PLC $\pm$ - 3 PLC $\pm$ .005 4 PLC $\pm$ - ANGLES $\pm$ - FINISH		NAME 108-40025 APPLICATION SPEC 114-40013 WEIGHT -		
MATERIAL 1		PRODUCT SPEC 108-40025 APPLICATION SPEC 114-40013 WEIGHT -		SIZE A2 CAGE CODE 00779 DRAWING NO C=5205734 RESTRICTED TO -
CUSTOMER DRAWING		SCALE NTS		SHEET 1 OF 1 REV D

## X-ON Electronics

Largest Supplier of Electrical and Electronic Components

*Click to view similar products for [D-Sub Standard Connectors](#) category:*

*Click to view products by [TE Connectivity](#) manufacturer:*

Other Similar products are found below :

[56F711-015](#) [012-9507-004](#) [LV242999-142T12](#) [015-0341-000](#) [015-0372-005](#) [015-0372-008](#) [015-8755-001](#) [020419-0104](#) [012-0467-000](#) [012-0515-000](#) [012-9507-034](#) [012-9507-114](#) [020745-0008](#) [609-25P](#) [M24308/2-23Z](#) [CT2-14S-2PCA34](#) [CT2-18-11PCAU](#) [CT6-10SL-3SC](#) [CT6-10SL-4SC](#) [CT6-14S-2SC](#) [CT6E14SA7SC](#) [M83513/01-FC](#) [M83723/76W24619 L/C](#) [M85049/48-3-2F](#) [6STD09PCM99B70X](#) [6STD09SCM99B30X](#) [6STD09SCT99S40X](#) [6STD15PCT99S40X](#) [6STD15SCM99B30X](#) [6STD15SCT99S40X](#) [6STF09PCM05B70X](#) [7-135760-9](#) [MC11E-10-6SN](#) [747552-3](#) [MD1-21PS](#) [MDM-15SCBRM7-F222](#) [MDM96517-699](#) [MDM96521-744](#) [MDVB1-21SL1](#) [MIK0-1-7SH003](#) [MIKQ6-7SH076](#) [MIKQ7-7PH077](#) [MIKQ7-7PH11](#) [MIKQ7-7PH32](#) [MJSV-28SL61](#) [MKJ4A1F14-55S](#) [8-135760-3](#) [8STD09PCM99B30X](#) [PG-KV/PV-16-GROM-SEALING](#) [GDA15P](#)