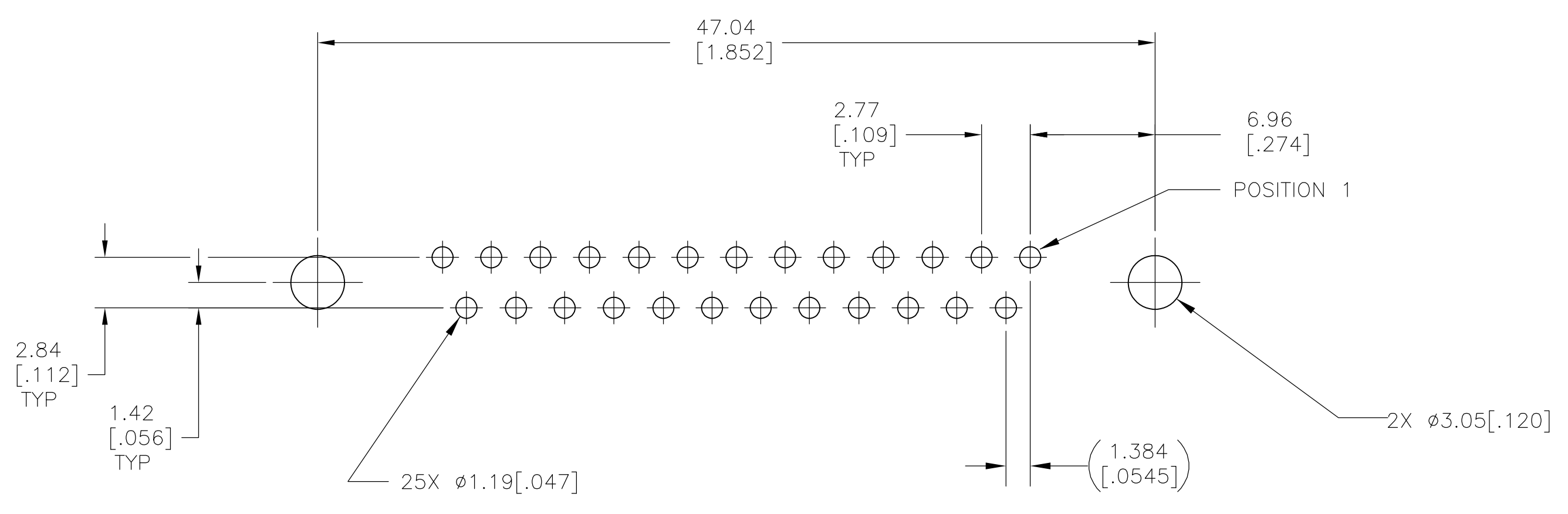
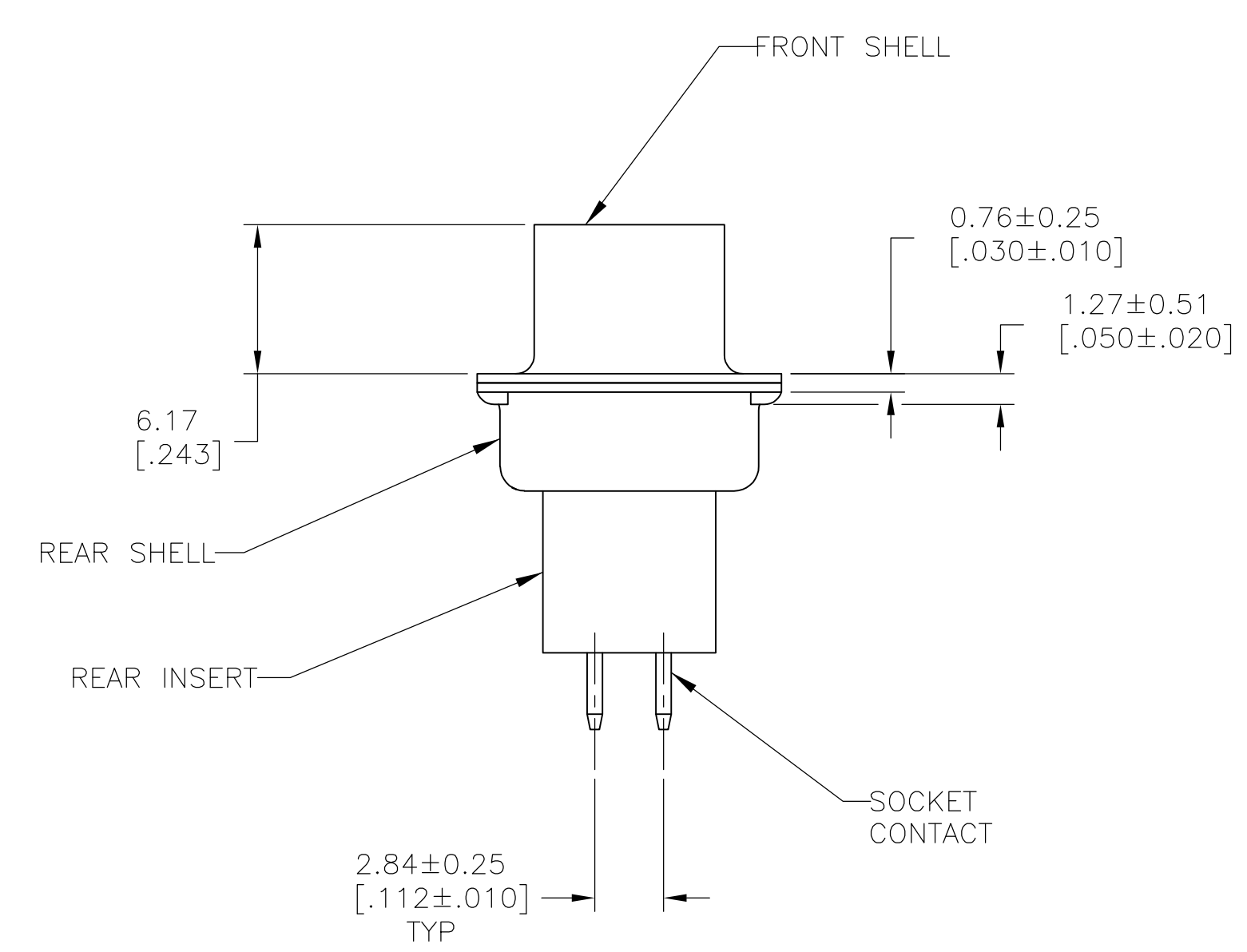
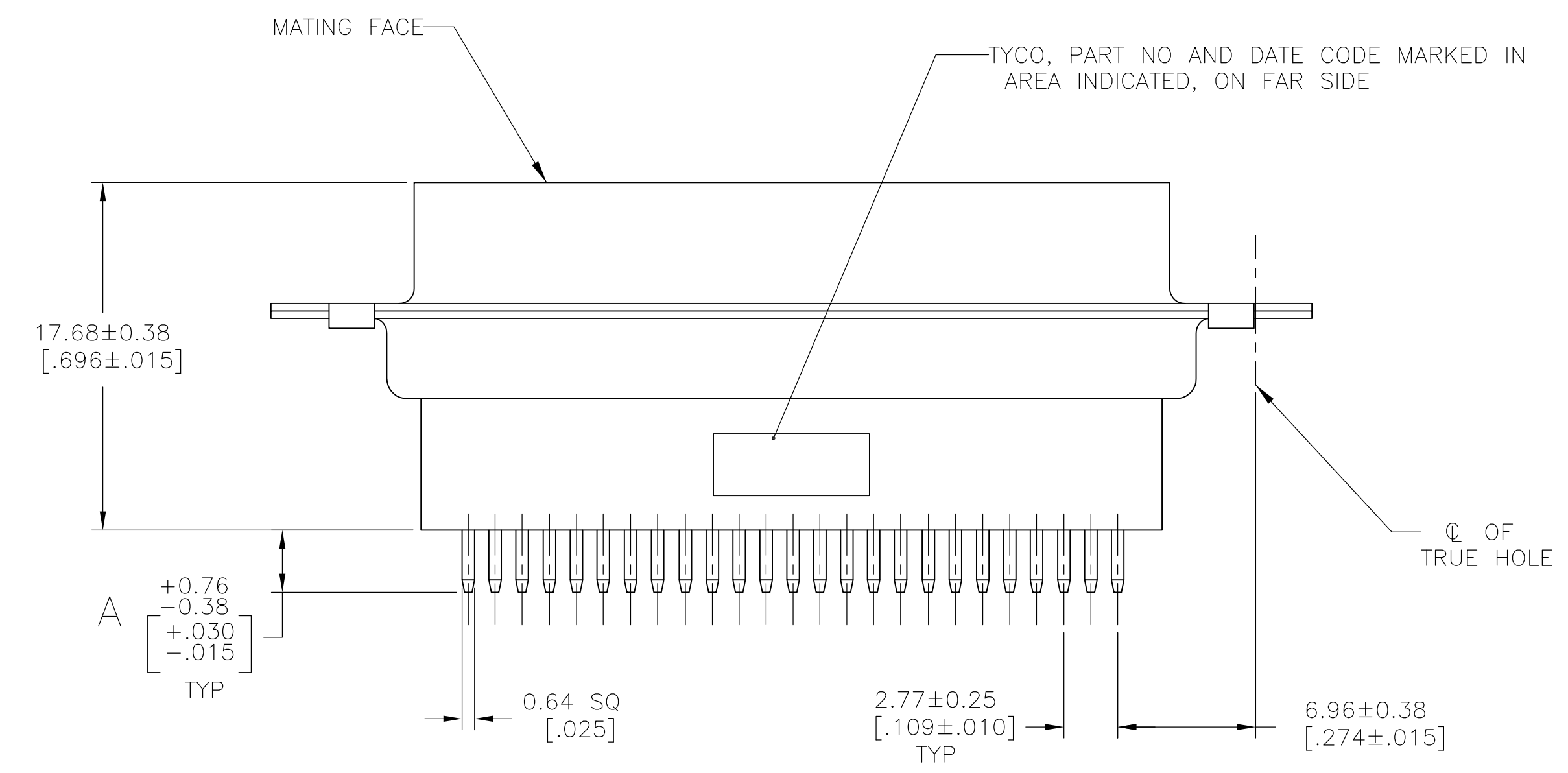
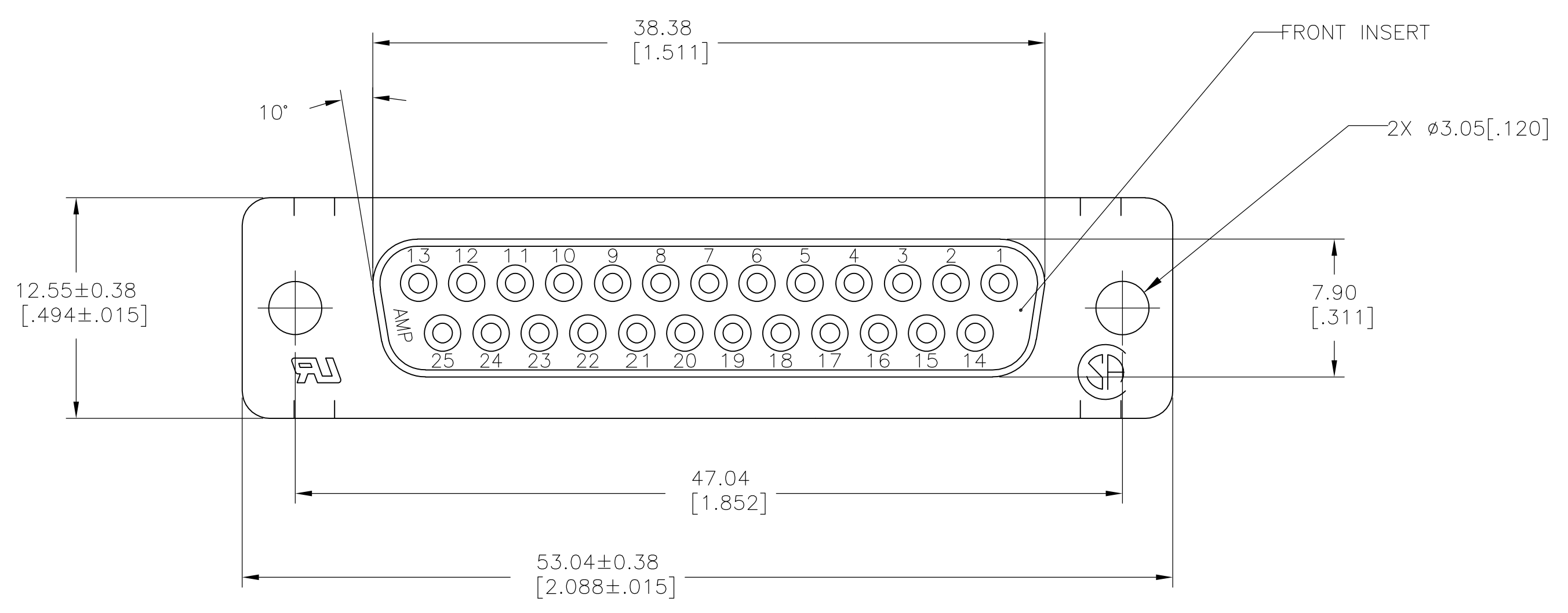


LOC		DIST		REVISIONS			
GP	00	REV	DATE	BY	APP	REV	DATE
D		REVISED PER ECO-14-011808	11AUG2014	AP	SB		



RECOMMENDED PC BOARD MOUNTING DIMENSIONS

- 1 MOLDDED PARTS: GLASS-FILLED PBT OR GLASS-FILLED NYLON, UL94V-0 RATED. COLOR: BLACK. CONTACTS: PHOSPHOR BRONZE. SHELLS: CARBON STEEL.
- 2 SHELLS: 5.08µm [.000200] MIN ZINC WITH YELLOW CHROMATE COATING. CONTACTS: GOLD PLATED FOR LENGTH OF 3.81[.150] MIN FROM MATING END, 0.76µm [.000030] MIN GOLD IN MATED AREA, 2.54µm [.000100] MIN TIN ON SOLDER END, BOTH OVER 1.27µm [.000050] MIN NICKEL. OR GOLD FLASH OVER PALLADIUM-NICKEL PLATED FOR LENGTH OF 3.81 [.150] MIN FROM MATING END, 0.76µm [.000030] MIN TOTAL IN MATED AREA, 2.54µm [.000100] MIN TIN ON SOLDER END, BOTH OVER 1.27µm [.000050] MIN NICKEL.

4.78 [.188]	5205738-7
10.85 [.427]	5205738-3
3.18 [.125]	5205738-1
A	PART NO

THIS DRAWING IS A CONTROLLED DOCUMENT.		DIN B LATTUCA 07SEPT05	TE Connectivity	
DIMENSIONS: mm [INCHES]		CHK S BOLASH 07SEPT05	NAME RECEPTACLE ASSEMBLY, SIZE 3, 25 POSN, VERTICAL, AMPLIMITE HDP	
TOLERANCES UNLESS OTHERWISE SPECIFIED:		APP'D M WALMSLEY 07SEPT05	PRODUCT SPEC 108-40025	
0 PLC ± -		APPLICATION SPEC 114-40013		
1 PLC ± -		SIZE CAGE CODE DRAWING NO A1 00779 C=5205738		
2 PLC ± 0.13 [.005]		RESTRICTED TO		
3 PLC ± -		WEIGHT		
4 PLC ± -		CUSTOMER DRAWING		
ANGLES ± °		SCALE NTS SHEET 1 OF 1 REV D		

## X-ON Electronics

Largest Supplier of Electrical and Electronic Components

*Click to view similar products for [D-Sub Standard Connectors](#) category:*

*Click to view products by [TE Connectivity](#) manufacturer:*

Other Similar products are found below :

[56F711-015](#) [012-9507-004](#) [LV242999-142T12](#) [015-0341-000](#) [015-0372-005](#) [015-0372-008](#) [015-8755-001](#) [020419-0104](#) [012-0467-000](#) [012-0515-000](#) [012-9507-034](#) [012-9507-114](#) [020745-0008](#) [609-25P](#) [M24308/2-23Z](#) [CT2-14S-2PCA34](#) [CT2-18-11PCAU](#) [CT6-10SL-3SC](#) [CT6-10SL-4SC](#) [CT6-14S-2SC](#) [CT6E14SA7SC](#) [M83513/01-FC](#) [M83723/76W24619 L/C](#) [M85049/48-3-2F](#) [6STD09PCM99B70X](#) [6STD09SCM99B30X](#) [6STD09SCT99S40X](#) [6STD15PCT99S40X](#) [6STD15SCM99B30X](#) [6STD15SCT99S40X](#) [6STF09PCM05B70X](#) [7-135760-9](#) [MC11E-10-6SN](#) [747552-3](#) [MD1-21PS](#) [MDM-15SCBRM7-F222](#) [MDM96517-699](#) [MDM96521-744](#) [MDVB1-21SL1](#) [MIK0-1-7SH003](#) [MIKQ6-7SH076](#) [MIKQ7-7PH077](#) [MIKQ7-7PH11](#) [MIKQ7-7PH32](#) [MJSV-28SL61](#) [MKJ4A1F14-55S](#) [8-135760-3](#) [8STD09PCM99B30X](#) [PG-KV/PV-16-GROM-SEALING](#) [GDA15P](#)