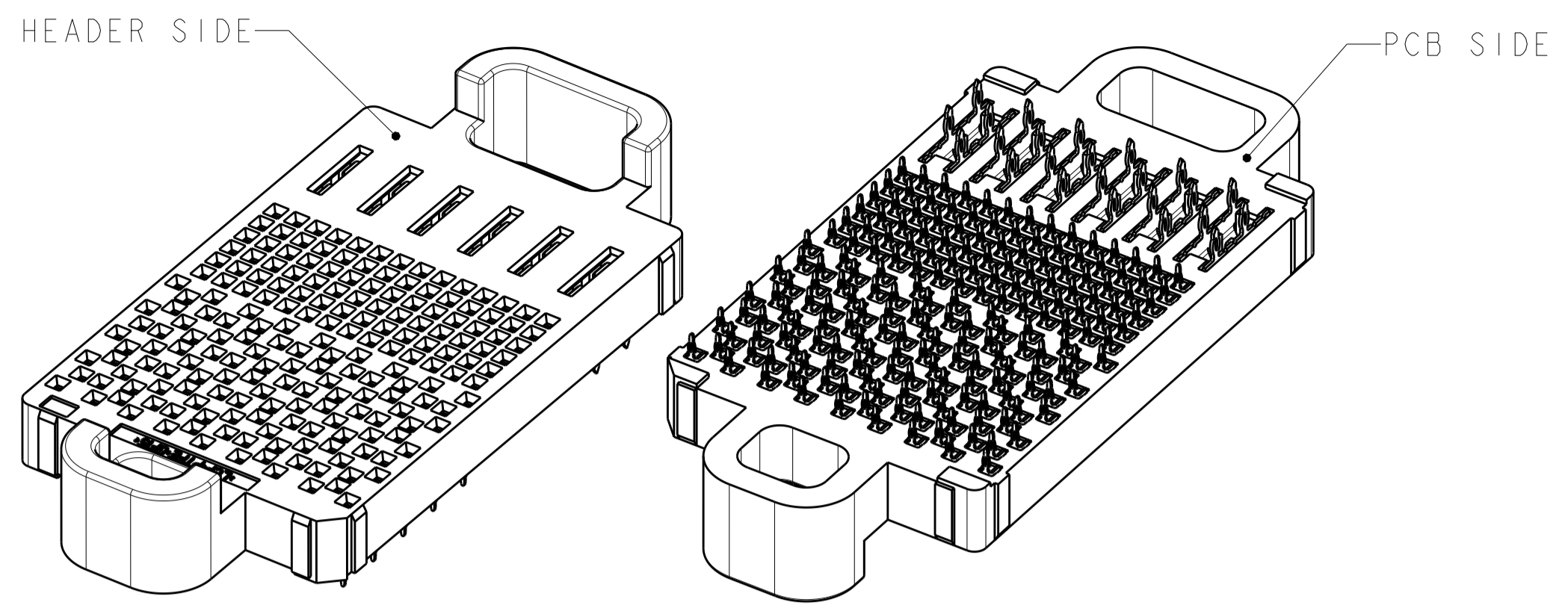
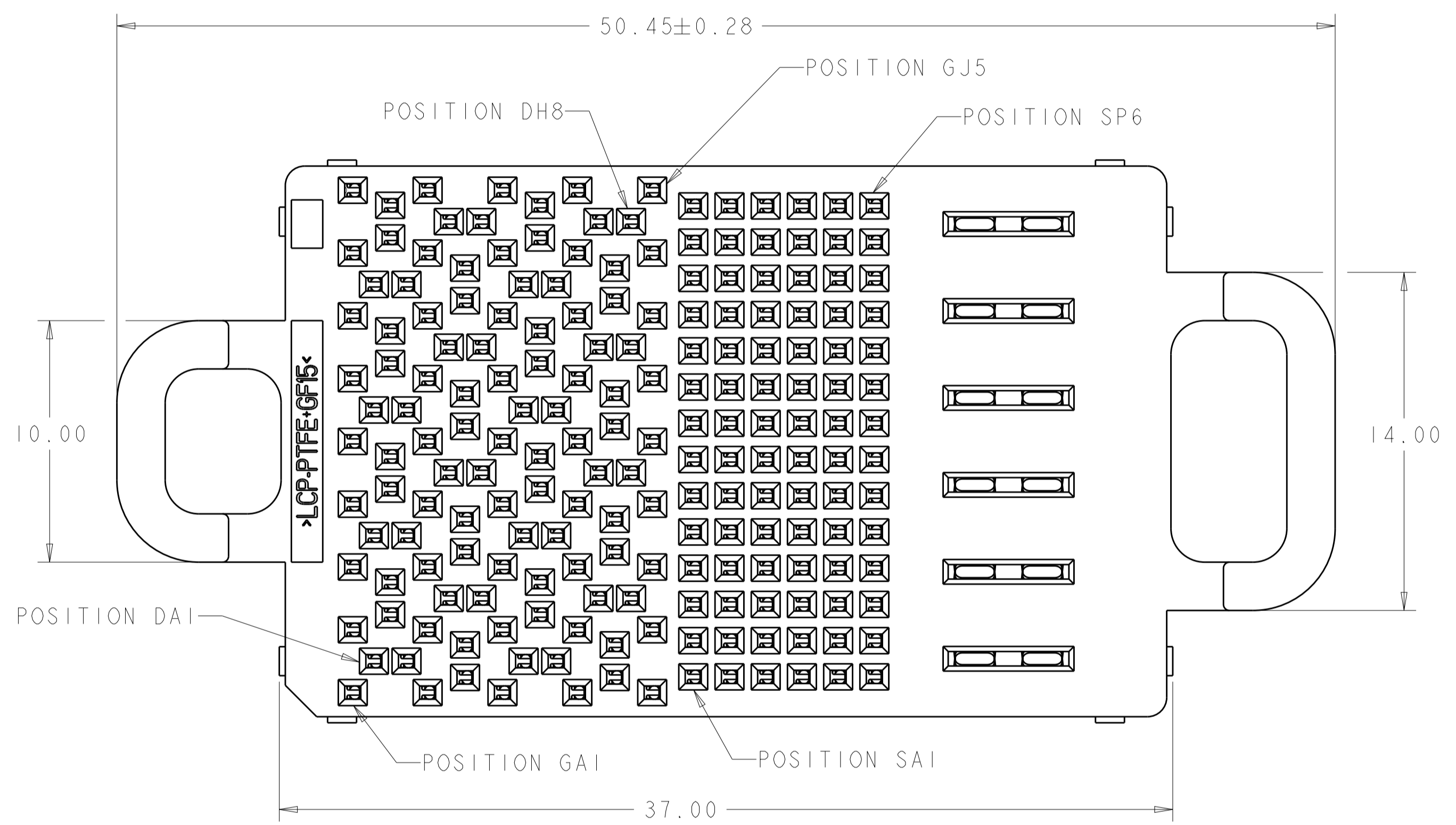


LOC		DIST		REVISONS			
GP	00	P	LTN	DESCRIPTION	DATE	DWN	APVD
		A1		REVISED PER ECO-17-013552	14SEP2017	A.S.	S.Y.



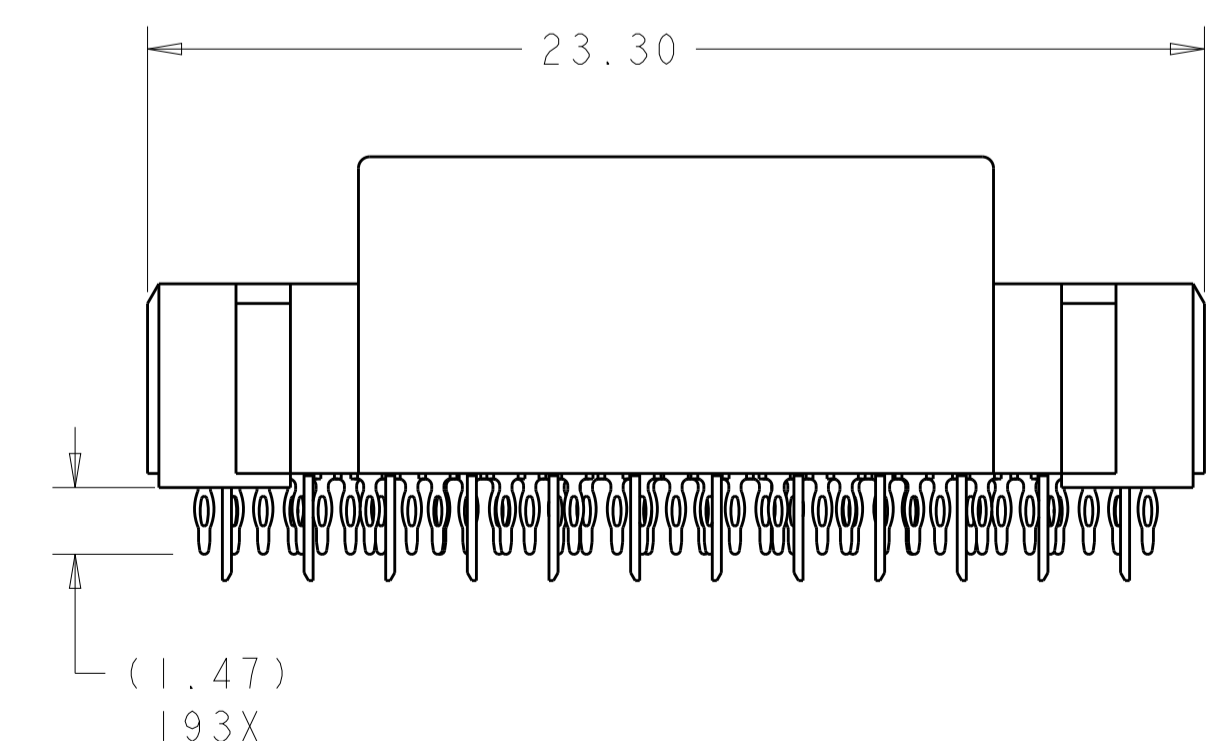
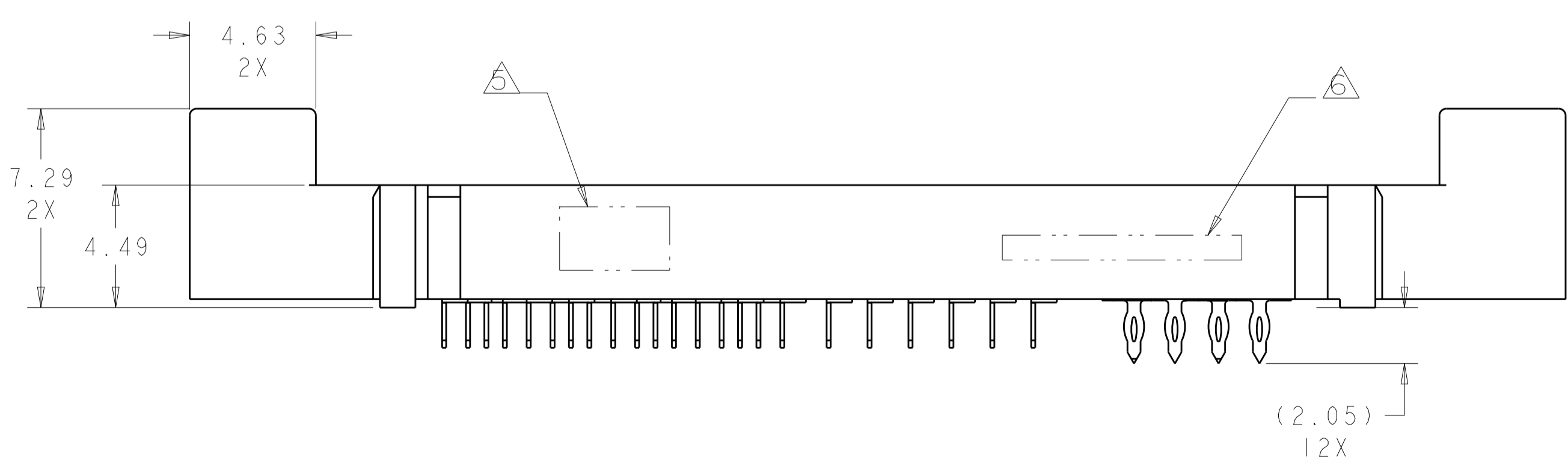
ISOMETRIC VIEWS
SCALE 3:1

- △ MATERIAL:
HOUSING: THERMOPLASTIC, FLAMMABILITY RATING UL94-VO
CONTACT: COPPER ALLOY
- 2. CONFORMS TO THE REQUIREMENTS OF TE PRODUCT SPECIFICATION, 108-2375; BASED ON TELCORDIA GR-1217-GP FOR SYSTEM QUALITY LEVEL III, APPLICATIONS IN CONTROLLED ENVIRONMENTS (CENTRAL OFFICE).
SEE TE PRODUCT SPECIFICATION 108-2375 FOR TEST SEQUENCES.
- △ ROWS GA THRU GJ (SHOWN DARKENED) ARE TYPICALLY USED AS GROUNDS.
- △ SPECIFIED POSITIONAL TOLERANCE DEFINES HOLE TO HOLE LOCATION WITHIN HOLE PATTERN. POSITIONAL TOLERANCE OF HOLE PATTERN TO FIDUCIAL MARKS OR PCB DATUMS SHALL BE DEFINED BY CUSTOMER.
- △ AREA RESERVED FOR TE CONNECTIVITY LOGO.
- △ AREA RESERVED FOR PART NUMBER (X-XXXXXXX-X) AND DATE CODE (YYWW).
- △ USE CENTERLINES INDICATED ON PCB HOLE PATTERN TO ESTABLISH ALIGNMENT BETWEEN HEADER AND RECEPTACLE BOARDS.
- △ PLATED THROUGH HOLE REQUIREMENTS - SIGNAL:
HOLE SIZE PRIOR TO PLATING = $\varnothing 0.420 \pm 0.013$
COPPER PLATING THICKNESS = 0.038 ± 0.013
CALCULATED FINISHED HOLE SIZE = $\varnothing 0.344 \pm 0.039$
THESE DIMENSIONS APPLY TO THE TOP 1.25mm OF THE PCB THICKNESS FROM THE CONNECTOR MOUNTING SIDE.
- △ PLATED THROUGH HOLE REQUIREMENTS - POWER:
HOLE SIZE PRIOR TO PLATING = $\varnothing 0.700 \pm 0.025$
COPPER PLATING THICKNESS = 0.038 ± 0.013
CALCULATED FINISHED HOLE SIZE = $\varnothing 0.624 \pm 0.051$
THESE DIMENSIONS APPLY TO THE TOP 1.50mm OF THE PCB THICKNESS FROM THE CONNECTOR MOUNTING SIDE.



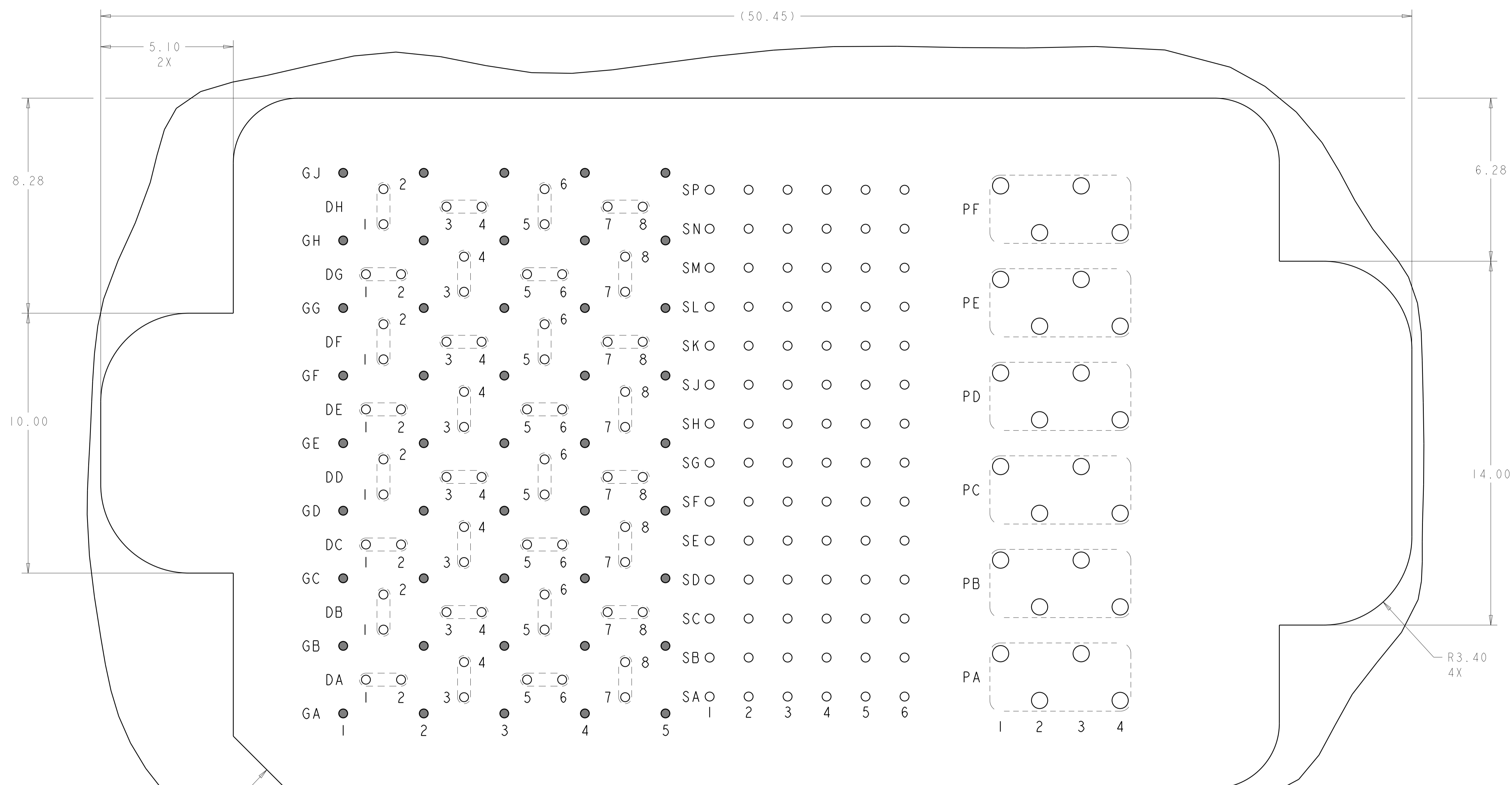
SIZE 2 HOUSING W/ GUIDE POSTS *
32 DIFFERENTIAL PAIRS
84 HIGH-DENSITY GRID
193 TOTAL SIGNAL CONTACTS
6 POWER CONTACTS

* SIZE 1 AND SIZE 3 ARE ALSO AVAILABLE



YES	MATTE Sn	5-2057471-1
	Sn/Pb	2057471-1
TOOLED	CONTACT TAIL PLATING	PART NUMBER
STE TE Connectivity		
DWN: D. RINGLER 05SEP2008 CHK: D. TROUT 05SEP2008 APVD: J. FEDDER 05SEP2008		NAME: RECEPTACLE ASSEMBLY 32/84/6P STRADA MESA MEZZANINE CONNECTOR
DIMENSIONS: mm TOLERANCES UNLESS OTHERWISE SPECIFIED: 0 PLC ± 1 PLC ±0.13 2 PLC ±0.13 3 PLC ±0.13 4 PLC ± ANGLES ± FINISH ±		PRODUCT SPEC: 108-2375 APPLICATION SPEC: 114-13249 SIZE: A1 CAGE CODE: 00779 DRAWING NO: C=2057471 RESTRICTED TO: -
MATERIAL: △		WEIGHT: - CUSTOMER DRAWING: SCALE 3:1 SHEET 1 OF 3 REV A1

LOC		DIST		REVISIONS			
P	LTN	DESCRIPTION	DATE	DWN	APVD		
-	-	SEE SHEET 1	-	-	-		



A1 CORNER INDICATORS.

PCB LAYOUT AND PIN IDENTIFICATION
 SHOWN FROM COMPONENT SIDE
 SCALE 12:1

MATED CONNECTOR OUTLINE
 SEE SHEET 3 FOR LOCATION TO HOLES

THIS DRAWING IS A CONTROLLED DOCUMENT.		DWN: D. RINGLER 05SEP2008		TE Connectivity
DIMENSIONS: mm		CHK: D. TROUT 05SEP2008		NAME: RECEPTACLE ASSEMBLY 32/84/6P
TOLERANCES UNLESS OTHERWISE SPECIFIED:		APVD: J. FEDDER 05SEP2008	PRODUCT SPEC: 108-2375	APPLICATION SPEC: STRADA MESA MEZZANINE CONNECTOR
MATERIAL: -		FINISH: -	SIZE: A1	CAGE CODE: 2057471
CUSTOMER DRAWING		SCALE: 3:1	SHEET: 2 OF 3	REV: A1

X-ON Electronics

Largest Supplier of Electrical and Electronic Components

Click to view similar products for [High Speed/Modular Connectors](#) category:

Click to view products by [TE Connectivity](#) manufacturer:

Other Similar products are found below :

[650827-1](#) [74040-1346](#) [1410191-1](#) [1410368-3](#) [1410964-2](#) [1410326-3](#) [1410367-3](#) [1410971-4](#) [1467833-1](#) [2000877-1](#) [2000878-1](#) [2041314-1](#)
[2065387-1](#) [2187307-1](#) [163P](#) [1934290-1](#) [2000875-1](#) [2065917-1](#) [2102736-2](#) [FSR-40](#) [2169868-2](#) [22354-8](#) [437-5040-000](#) [5-1393565-0](#) [039-](#)
[0246-000](#) [0761601016](#) [0784461022](#) [10123159-12ELF](#) [030-2415-003/100 PK](#) [030-7380-004](#) [030-2494-001](#) [532939-1](#) [5532901-3](#) [3-1469268-](#)
[7](#) [74748-102LF](#) [10041743-101LF](#) [10066670-100002LF](#) [1-533915-1](#) [249-4515-000](#) [7-1469373-3](#) [DL2-2J/S](#) [2000713-8](#) [2000713-7](#)
[10124313-101LF](#) [3011-21](#) [757105208](#) [EBTF-4-10-2.0-S-RA-1](#) [430305-001](#) [4395800100](#) [8140115](#)