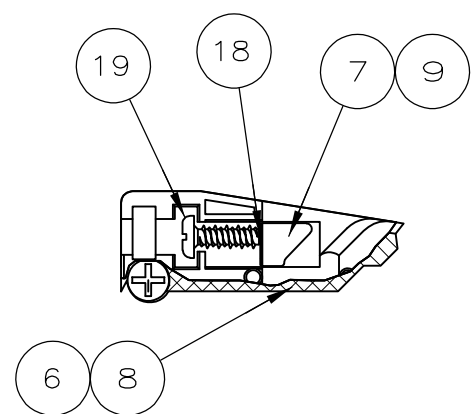
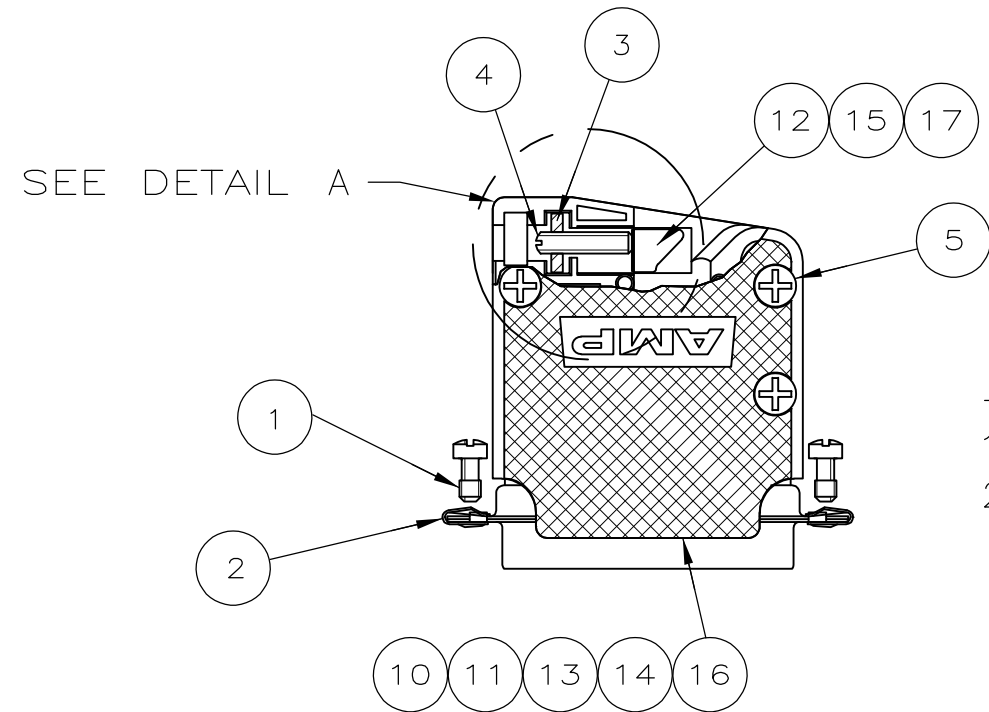


THIS DRAWING IS UNPUBLISHED. RELEASED FOR PUBLICATION
 © COPYRIGHT 2006 By - ALL RIGHTS RESERVED.

LOC	DIST	REVISIONS					
GP	00	P	LTR	DESCRIPTION	DATE	DWN	APVD
		A1		REVISED PER ECO-11-004835	11MAR11	RK	HMR



DETAIL A
FOR -1 & 2 ONLY



-3, -4, -5,
1--1, 1--2,
2--2 & 2--6

- 1 PARTS PACKAGED UNASSEMBLED.
- ② STAINLESS STEEL.
- ③ ZINC PLATED YELLOW CHROMATE COATING.
- ④ STEEL.
- ⑤ ZINC PLATED CLEAR CHROMATE COATING.
- ⑥ BRASS.
- ⑦ BLACK ZINC PHOSPHATE.
- ⑧ OBSOLETE.

CONTENTS BULK PACKAGED BY ITEM											
CONTENTS PACKAGED ONE KIT PER POLY BAG											
-	-	-	-	-	-	-	-	-	-	GATE SCREW ④ ⑦	19
-	-	-	-	-	-	-	-	-	-	SHIM ⑥	18
-	-	-	-	1	-	-	-	-	-	SIZE 5 GATE	17
-	-	-	-	1	-	-	-	-	-	SIZE 5 HOUSING	16
-	-	-	-	1	-	-	-	-	-	SIZE 4 GATE	15
-	-	-	-	1	-	-	-	-	-	SIZE 4 HOUSING	14
1	-	1	-	-	-	-	-	-	-	SIZE 3 SHORT HOUSING	13
1	1	1	-	-	-	1	-	-	-	SIZE 3 GATE	12
-	1	-	-	-	-	1	-	-	-	SIZE 3 HOUSING	11
-	-	-	1	-	-	-	-	-	-	SIZE 2 SHORT HOUSING	10
-	-	-	1	-	-	-	1	-	-	SIZE 2 GATE	9
-	-	-	-	-	-	-	1	-	-	SIZE 2 HOUSING	8
-	-	-	-	-	-	-	-	1	-	SIZE 1 GATE	7
-	-	-	-	-	-	-	-	1	-	SIZE 1 HOUSING	6
2	3	2	3	3	3	3	2	1	-	PH HD #5-21 HI-LO SCREW ④ ⑤	5
1	1	1	-	1	1	1	-	-	-	SLOTTED SET SCREW ④ ⑤	4
1	1	1	-	1	1	1	-	-	-	SQUARE NUT ④	3
2	2	2	2	2	2	2	2	2	-	CLIP ②	2
2	2	2	2	2	2	2	2	2	-	RETAINING SCREW ③ ④	1
2-6	2-2	1-2	1-1	-5	-4	-3	-2	-1		DESCRIPTION	ITEM NO

THIS DRAWING IS A CONTROLLED DOCUMENT.		DWN R.RICHARDSON 12SEPT05		
DIMENSIONS: INCHES		CHK C.ROHDE 12SEPT05		
TOLERANCES UNLESS OTHERWISE SPECIFIED:		APVD M.WALMSLEY 12SEPT05	NAME STRAIN RELIEF KIT, 45 /180 AMPLIMITE HD-20	
		PRODUCT SPEC	DRAWING NO A2 00779 C=5206478	
MATERIAL HOUSING & GATES: POLYPROPYLENE		APPLICATION SPEC	RESTRICTED TO	
HARDWARE: ② ④ ⑥		FINISH HOUSING & GATES: BLACK	SCALE 2:1 SHEET 1 of 1 REV A1	
HARDWARE: ③ ⑤ ⑦		WEIGHT -	CUSTOMER DRAWING	

X-ON Electronics

Largest Supplier of Electrical and Electronic Components

Click to view similar products for [D-Sub Backshells](#) category:

Click to view products by [TE Connectivity](#) manufacturer:

Other Similar products are found below :

[M85049/6-38N](#) [M85049/86-12N03](#) [M85049/90-13P03](#) [70.350.0636.4](#) [70.350.2435.1](#) [72.350.1035.2](#) [72.352.2435.1](#) [73.359.4035.3](#) [829472-1](#)
[PCS-E20W](#) [970-015-040R011](#) [970-025-040R011](#) [971-009-030R121](#) [971-009-040R011](#) [971-015-040R011](#) [1437013-9](#) [1484402-8](#) [156-3025-](#)
[EX](#) [16-500800](#) [165X02659X](#) [165X03329A](#) [165X03399A](#) [165X10259X](#) [165X11759X](#) [165X11889X](#) [165X13019X](#) [165X13029X](#)
[165X13169X](#) [165X13199X](#) [165X13239X](#) [165X13389X](#) [165X13489X](#) [165X14219X](#) [165X14449X](#) [165X17409X](#) [165X17439X](#)
[165X17569X](#) [165X17599X](#) [165X17609X](#) [165X17889X](#) [165X17979X](#) [L171373](#) [971-025-030R121](#) [300X10989X](#) [165X02609X](#)
[165X02639X](#) [165X02689X](#) [165X04219A](#) [165X10469X](#) [165X11279X](#)