

THIS DRAWING IS UNPUBLISHED.

RELEASED FOR PUBLICATION

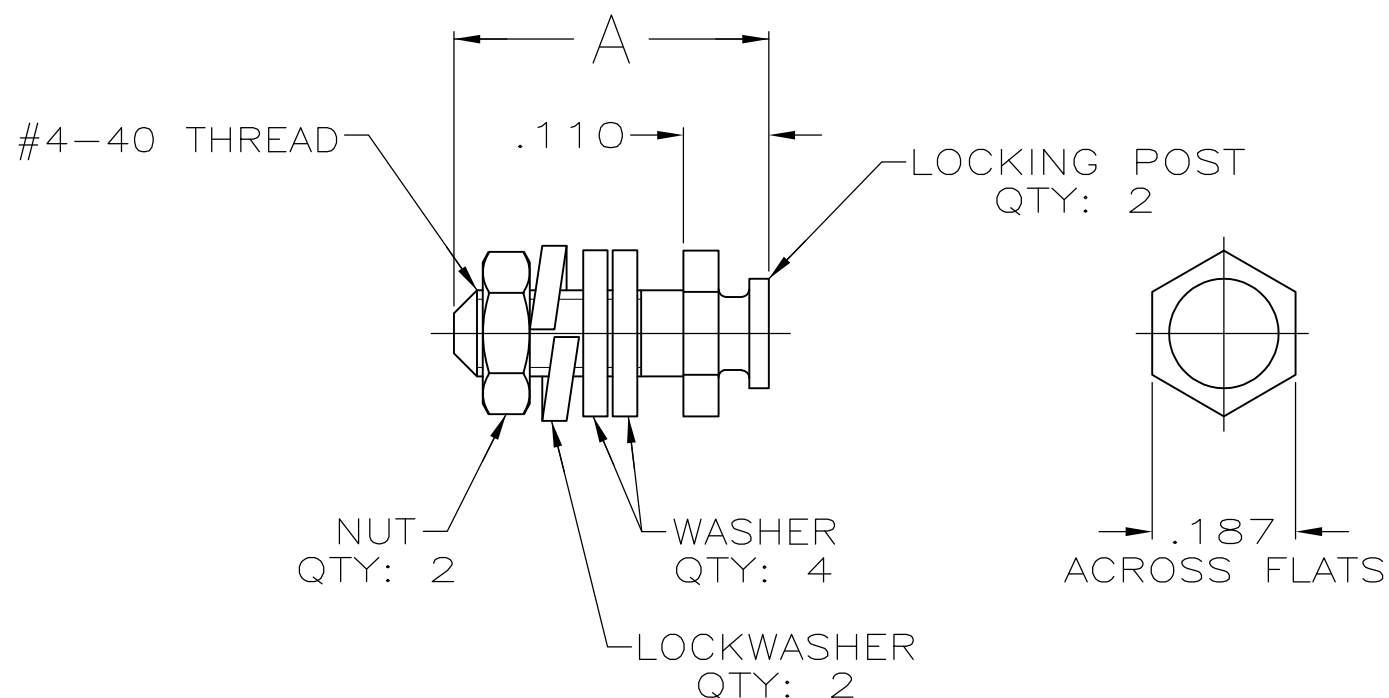
© COPYRIGHT - By -

ALL RIGHTS RESERVED.

LOC GP DIST 00

REVISIONS

P	LTR	DESCRIPTION	DATE	DWN	APVD
	P	REVISED PER ECO-11-004835	11MAR11	RK	HMR



- 1 ZINC PLATED .000200-.000400 THICK, YELLOW CHROMATE.
- 2 ZINC PLATED .000200-.000400 THICK, CLEAR CHROMATE.
- 3 PARTS PACKAGED UNASSEMBLED.
- 4 PARTS PACKAGED AS A UNIT KIT.
- 5 PARTS INDIVIDUALLY BULK PACKAGED & SHIPPED AS A UNIT PACKAGE.

5	1	.560	5206514-7
4	1	.560	5206514-6
4	2	.410	5206514-4
5	1	.410	5206514-3
4	1	.410	5206514-1
PACKAGING	FINISH	A	PART NO

THIS DRAWING IS A CONTROLLED DOCUMENT.

DIMENSIONS:	TOLERANCES UNLESS OTHERWISE SPECIFIED:
INCHES	

0 PLC	± -
1 PLC	± -
2 PLC	± -
3 PLC	± .015
4 PLC	± -
ANGLES	± -

MATERIAL COLD ROLLED STEEL

FINISH SEE TABLE

DWN	S.WAITMAN	27JUN05
CHK	C.ROHDE	27JUN05
APVD	M.WALMSLEY	27JUN05
PRODUCT SPEC	-	
APPLICATION SPEC	-	
WEIGHT	-	

STE TE Connectivity			
NAME LOCKING POST KIT, AMPLIMITE			
SIZE	CAGE CODE	DRAWING NO	RESTRICTED TO
A3	00779	C-5206514	-

CUSTOMER DRAWING SCALE 4:1 SHEET 1 OF 1 REV P

X-ON Electronics

Largest Supplier of Electrical and Electronic Components

Click to view similar products for [D-Sub Tools & Hardware](#) category:

Click to view products by [TE Connectivity](#) manufacturer:

Other Similar products are found below :

[000-01-09-132](#) [000-01-21-132](#) [000-01-31-162](#) [572019-00105-70](#) [000-01-37-162](#) [621-250-113-115](#) [D110550-2](#) [D20418-137](#) [780-518-50SG6-WS](#) [86552009](#) [86553115TLF](#) [86553117TLF](#) [1230032-1](#) [1-5021101-2](#) [15-000050](#) [1589283-4](#) [160-000-005R031](#) [16-000230](#) [160-025-004R031](#) [160-000-137R000](#) [160-020-209R000](#) [160X10909X](#) [164C03939A](#) [177-505-A-2-2](#) [1-966830-8](#) [21018-6](#) [2-1393560-9](#) [JS-1000](#) [L17D204182M3E](#) [L17D53018](#) [300X10779X](#) [160X10189X](#) [160X10419X](#) [162-000-050R000](#) [21018-5](#) [212561-3](#) [248C21550X](#) [CF15P](#) [QLOCKPOST-2](#) [D110277](#) [500-008NF1K-01](#) [500-008NF3R3KS-01](#) [500-017M09FN](#) [500-017M15MHN](#) [500-024M1](#) [500-068M3](#) [5-1393561-5](#) [C115373-0001](#) [C115373-0002](#) [3342-4-KIT](#)