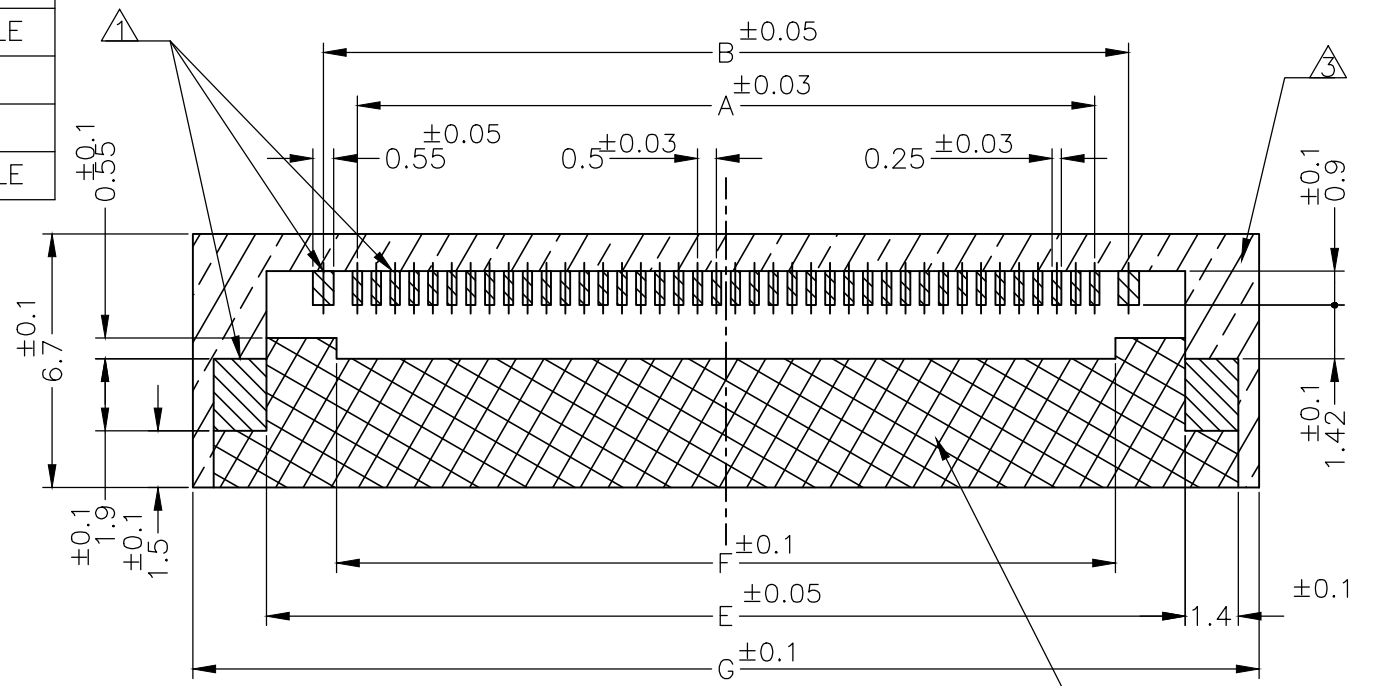
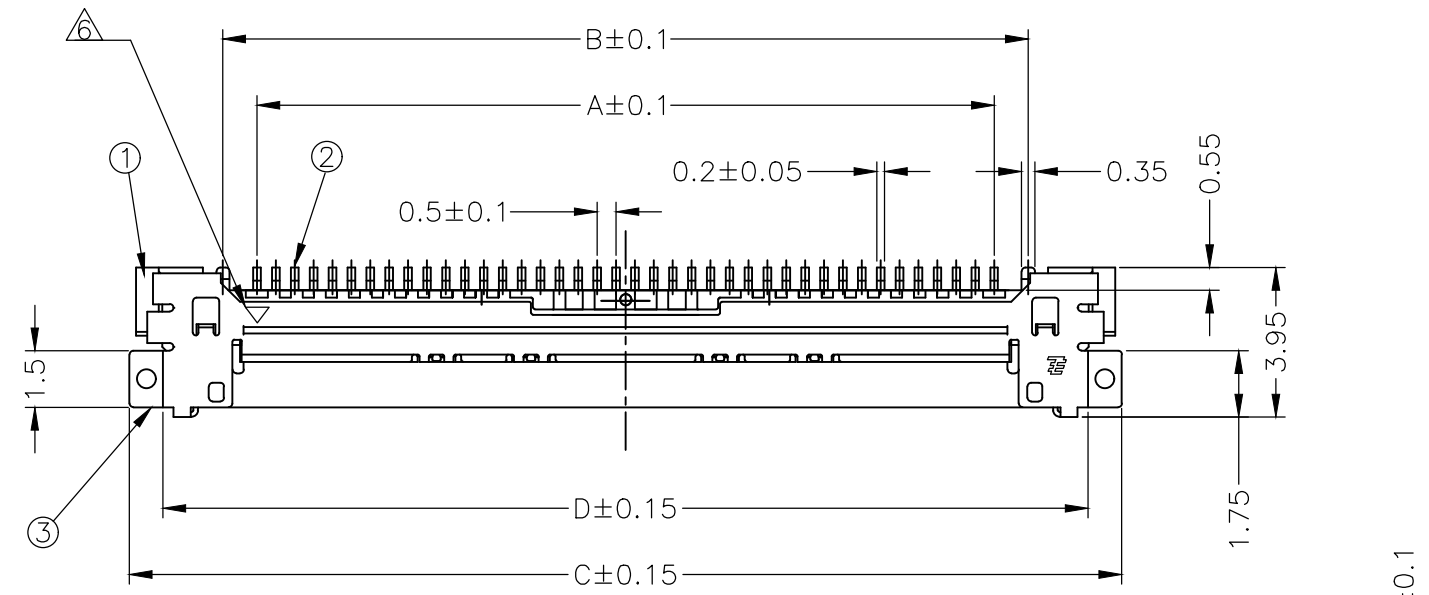


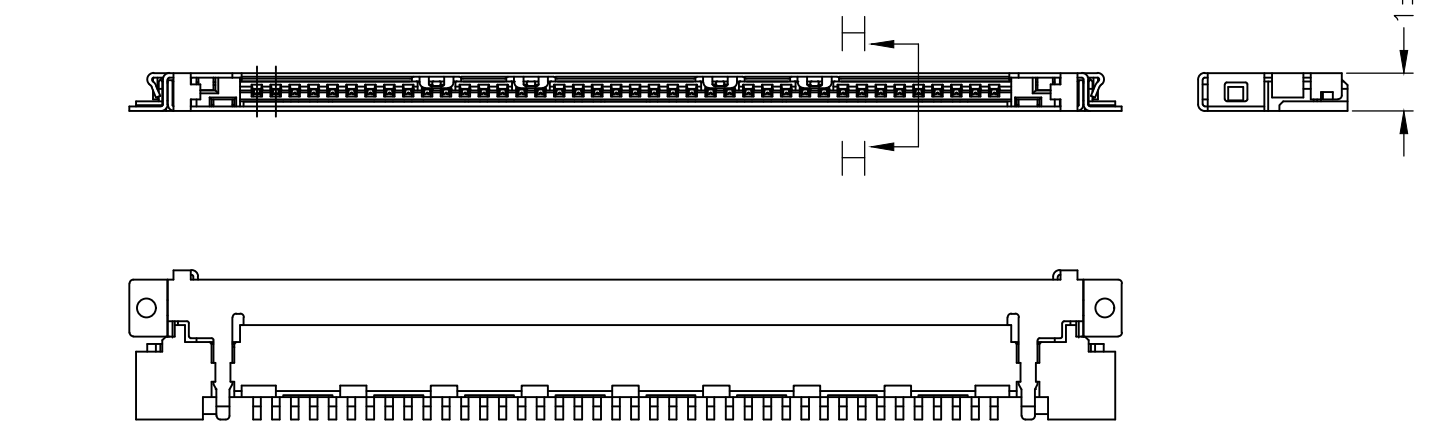
THIS DRAWING IS UNPUBLISHED.		RELEASED FOR PUBLICATION								
© COPYRIGHT - By -		ALL RIGHTS RESERVED.								
PART NO.	POS NO.	A	B	C	D	E	F	G	DATUM MARK	TOOLING STATUS
2069716-3	40	19.5	21.3	26.25	24.47	24.3	20.6	28.2	WITHOUT DATUM MARK	OBSOLETE
2069716-2	30	14.5	16.3	21.25	19.47	19.3	15.6	23.2		NOT AVAILABLE
2069716-1	20	9.5	11.3	16.25	14.47	14.3	10.6	18.2		NOT AVAILABLE
5-2069716-3	40	19.5	21.3	26.25	24.47	24.3	20.6	28.2	WITH DATUM MARK	OBSOLETE
5-2069716-2	30	14.5	16.3	21.25	19.47	19.3	15.6	23.2		OBSOLETE
5-2069716-1	20	9.5	11.3	16.25	14.47	14.3	10.6	18.2		NOT AVAILABLE

REVISIONS					
P	LTR	DESCRIPTION	DATE	DWN	APVD
	C	REVISED (ECO-19-000017)	14JAN2019	K.G	W.H

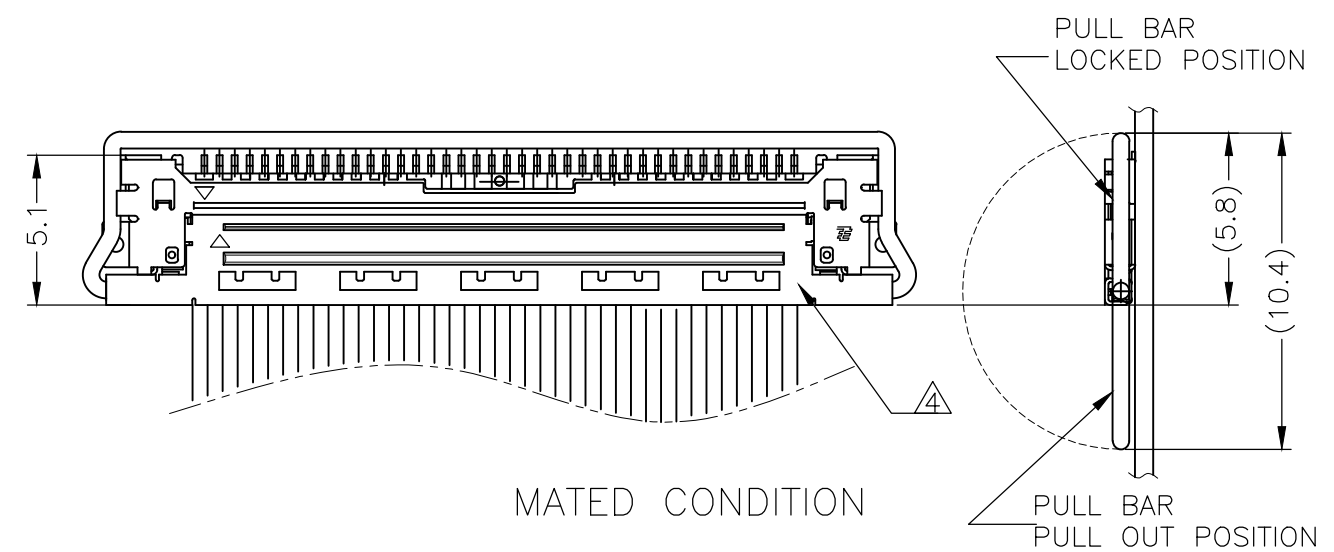
5-2069716-3 AS SHOWN



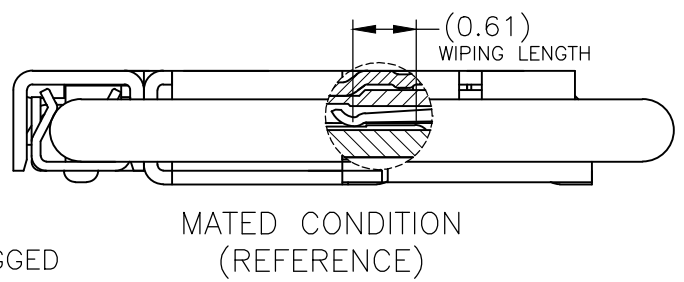
REFERENCE PWB LAYOUT



H-H (SCALE 10:1)



MATED CONDITION



MATED CONDITION (REFERENCE)

③	SHELL	COPPER ALLOY, Au OVER Ni
②	CONTACT	COPPER ALLOY, Au OVER Ni
①	HOUSING	HIGH TEMP. THERMOPLASTIC, UL94V-0, BLACK
ITEM	PART NAME	MATERIAL & FINISH

- SOLDERING AREA
- RESIST OR GND AREA
- PULL BAR MOVEMENT AREA
- THE CONNECTOR SHOULD BE PLUGGED WITH 2069715-3.
- 5. COPLANARITY 0.1MAX
- DATUM MARK
- 7. INSTRUCTION SHEET 411-78355

THIS DRAWING IS A CONTROLLED DOCUMENT.		DWN Y.SHINO 18SEP2009	STE TE Connectivity													
DIMENSIONS: mm		CHK S.KAJINUMA 18SEP2009														
TOLERANCES UNLESS OTHERWISE SPECIFIED:		APVD S.KAJINUMA 18SEP2009														
<table border="0"> <tr><td>0 RLC</td><td>± -</td></tr> <tr><td>1 PLC</td><td>± -</td></tr> <tr><td>2 PLC</td><td>± - ±0.2</td></tr> <tr><td>3 PLC</td><td>± - ±2°</td></tr> <tr><td>4 PLC</td><td>± -</td></tr> <tr><td>ANGLES</td><td>± -</td></tr> <tr><td>FINISH</td><td>± -</td></tr> </table>		0 RLC		± -	1 PLC	± -	2 PLC	± - ±0.2	3 PLC	± - ±2°	4 PLC	± -	ANGLES	± -	FINISH	± -
0 RLC	± -															
1 PLC	± -															
2 PLC	± - ±0.2															
3 PLC	± - ±2°															
4 PLC	± -															
ANGLES	± -															
FINISH	± -															
MATERIAL		PRODUCT SPEC 108-78659	LCD COAXIAL EMBEDDED DISPLAY INTERFACE (LCEDI) 0.5mm PITCH RECEPTACLE ASSEMBLY													
		APPLICATION SPEC	SIZE A3 CAGE CODE 00779 DRAWING NO C-2069716 RESTRICTED TO													
		WEIGHT	SCALE 5:1 SHEET 1 OF 2 REV C													
		CUSTOMER DRAWING														

THIS DRAWING IS UNPUBLISHED.

RELEASED FOR PUBLICATION

ALL RIGHTS RESERVED.

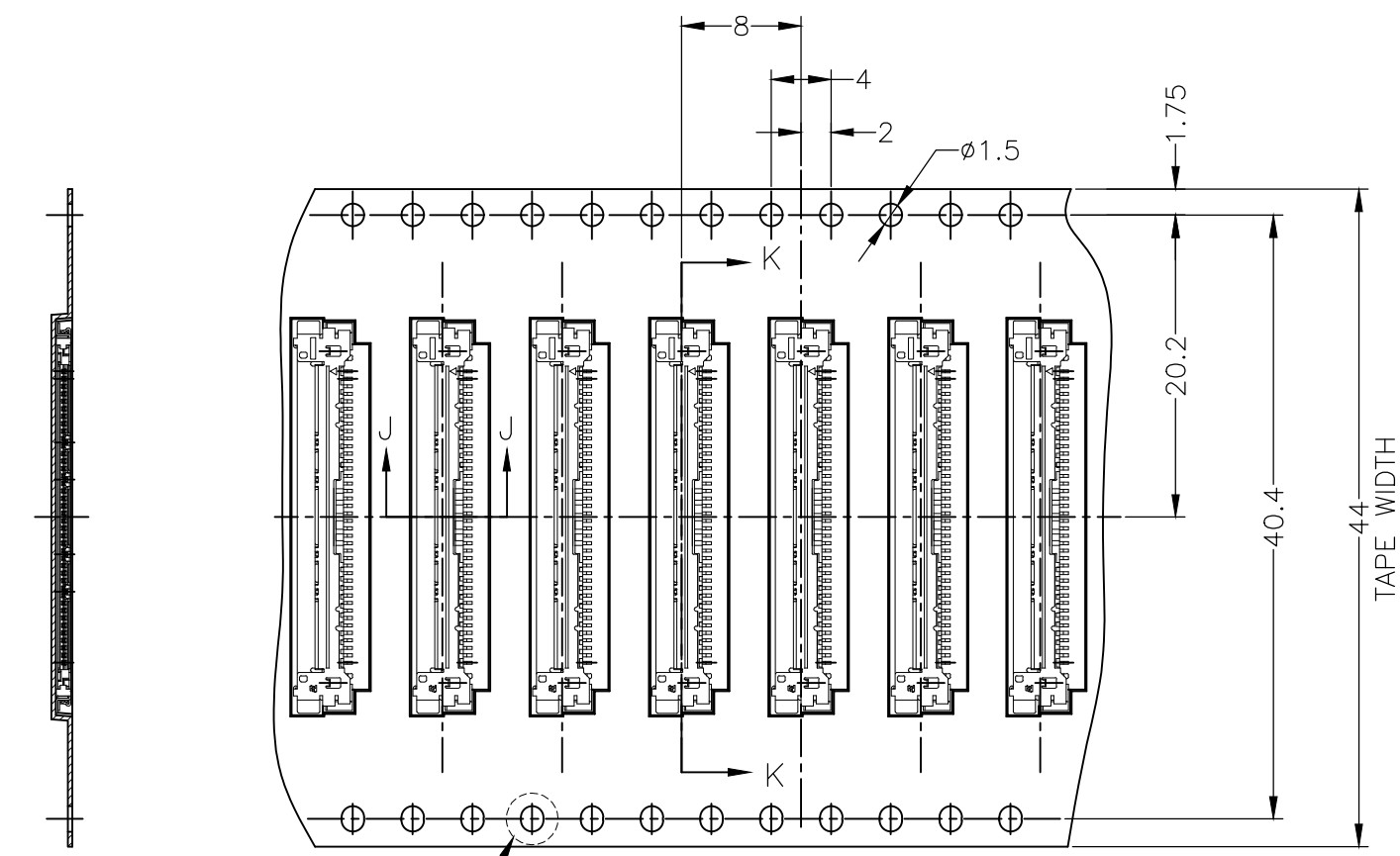
© COPYRIGHT - By -

REVISIONS

P	LTR	DESCRIPTION	DATE	DWN	APVD
-	-	SEE SHEET 1	-	-	-

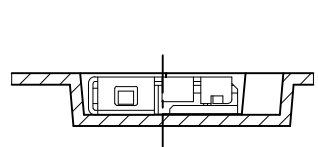
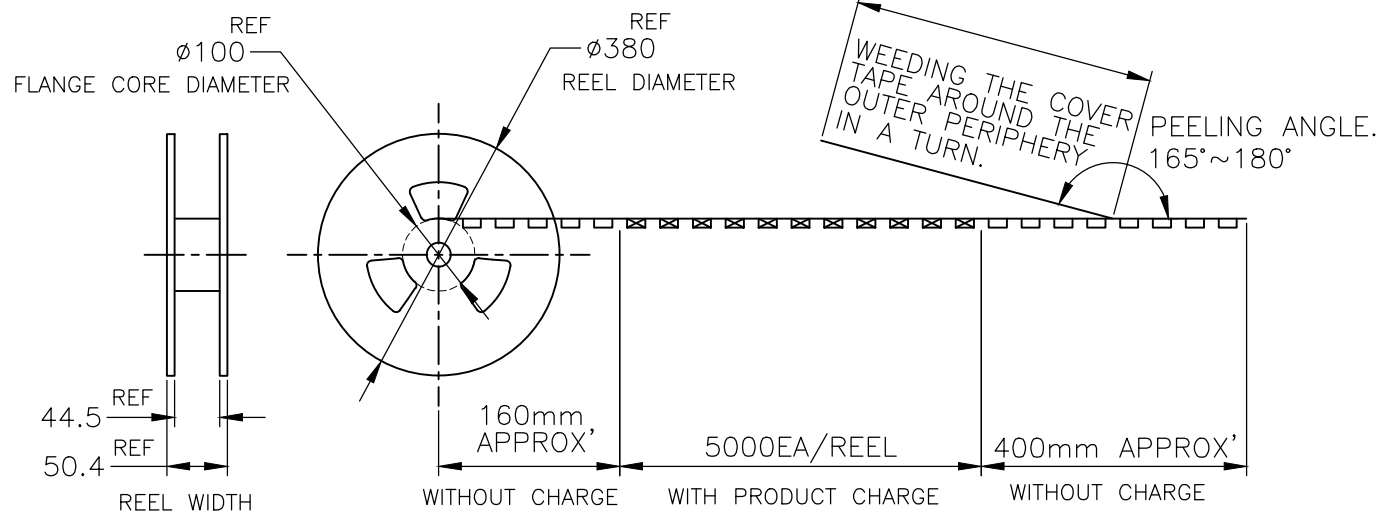
EMBOSS PACKING CONDITION

DIRECTION OF TOP OF REEL →

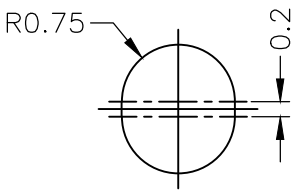


K-K

DETAIL L



J-J SCALE 5:1



DETAIL L SCALE 10:1

THIS DRAWING IS A CONTROLLED DOCUMENT.		DWN	-		
		CHK	-		
		APVD	-		
		PRODUCT SPEC	-		
		APPLICATION SPEC	-		
		WEIGHT	-		
		CUSTOMER DRAWING	-		
DIMENSIONS: mm					
TOLERANCES UNLESS OTHERWISE SPECIFIED:		0 PLC ± 0.3 1 PLC ± 0.3 2 PLC ± 0.3 3 PLC ± 0.3 4 PLC ANGLES ± 3°			
MATERIAL		FINISH			
				RESTRICTED TO	
		SIZE	CAGE CODE	DRAWING NO	
		A3	00779	C-2069716	
		SCALE	SHEET	REV	
		2:1	2 of 2	C	



LCD COAXIAL EMBEDDED DISPLAY INTERFACE (LCEDI) 0.5mm PITCH CONNECTOR RECEPTACLE ASSEMBLY

X-ON Electronics

Largest Supplier of Electrical and Electronic Components

Click to view similar products for [I/O Connectors](#) category:

Click to view products by [TE Connectivity](#) manufacturer:

Other Similar products are found below :

[571763P](#) [58098-0628](#) [72.250.1628.2](#) [72.250.2428.2](#) [74720-0505](#) [76.350.0729.0](#) [76871-1403](#) [FCN-244F080-G/1](#) [FCN-260A9920](#) [PCR-E36PM](#) [PCS-XE26MA+](#) [G38A71314B](#) [1571250010](#) [157-22500-3](#) [MS3471L14-19P L/C](#) [172501-4002](#) [172501-6002](#) [FCN-260C008-A/L0](#) [FCN-260C024-AL0](#) [FCN-261Z008](#) [2000314-1](#) [200331-1](#) [PCR-E36FC+](#) [PCS-E28FS+](#) [PCS-XE26SLFD+](#) [PCS-XE26SLFDT+](#) [G730VID08BDC24](#) [U90B2054081210](#) [38113800006](#) [DP3AR020WQ1R200](#) [Z4.102.0680.0](#) [500-1040](#) [500-1052](#) [500-1054](#) [ZP-4008-66L](#) [0709821002](#) [DX40-20P\(55\)](#) [5554841-1](#) [MS3474W18-8P-LC*](#) [U90B3054061110](#) [U65-E04-4020](#) [ZPF000000000097891](#) [747360449](#) [10099439-003C-TRLF](#) [10137239-0021LF](#) [E9320-001-01](#) [10137239-0011LF](#) [70289-001LF](#) [70.060.1028.0](#) [109029-ZZ](#)