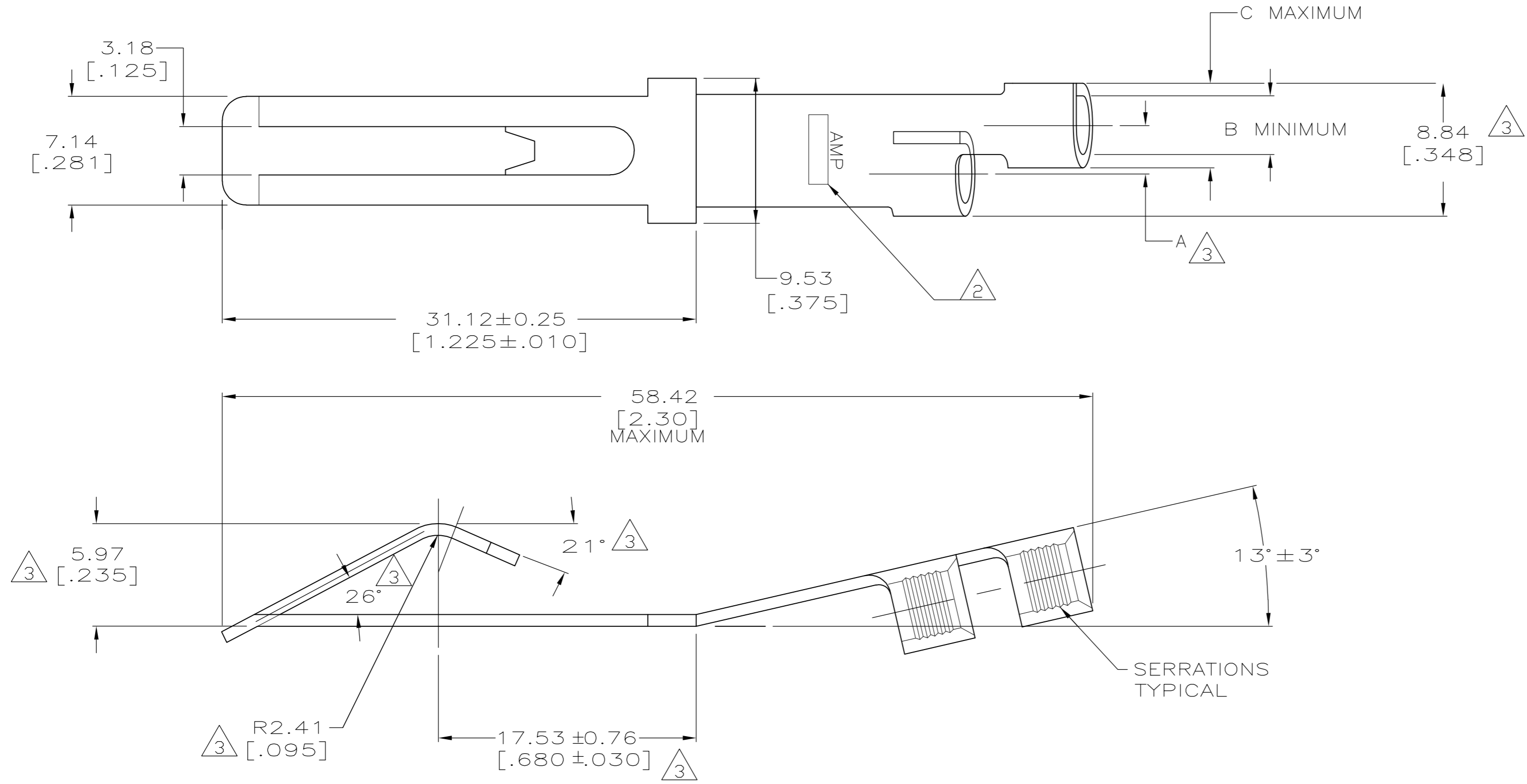


THIS DRAWING IS UNPUBLISHED. RELEASED FOR PUBLICATION
 © COPYRIGHT BY TYCO ELECTRONICS CORPORATION. ALL RIGHTS RESERVED.

| LOC | DIST | REVISIONS | | | |
|-----|------|-------------|---------------------------|---------|-------|
| P | LTR | DESCRIPTION | DATE | DWN | APVD |
| HM | 00 | H | REVISED PER ECR 09-027795 | 28DEC09 | JR TM |

- 1 MATERIAL: PHOSPHOR BRONZE, 0.79[.031] THICK, SILVER PLATE.
- 2 AMP AND WIRE GAUGE LOCATED APPROXIMATELY AS SHOWN. WIRE SIZE PER TABLE.
- 3 REFERENCE



| | | | | | |
|----------|-----------------|----------------|----------------|----------------|---------|
| OBSOLETE | 14-10 | 5.08 [.200] | 3.28 [.129] | 3.89 [.153] | 52075-2 |
| | 12-10 | 5.74 [.226] | 3.73 [.147] | 3.22 [.127] | 52075-1 |
| | 2 AWG WIRE SIZE | C | B | A | PART NO |

| | | | | |
|---|--|--------------------------------|---|--------------------|
| THIS DRAWING IS A CONTROLLED DOCUMENT. | | DWN L. HALL 07OCT02 | Tyco Electronics Corporation Harrisburg, PA 17105-3608 | |
| DIMENSIONS: mm | | CHK M. DELPHIAS 08OCT02 | NAME TERMINAL BODY, FLAG RELAY CONTACT | |
| TOLERANCES UNLESS OTHERWISE SPECIFIED: 0 PLC ± - 1 PLC ± - 2 PLC ± 0.51[.02] 3 PLC ± 0.20[.008] 4 PLC ± - ANGLES ± 5° | | APVD M. DELPHIAS 08OCT02 | DRAWING NO A2 00779 C=52075 | |
| MATERIAL 1 | | FINISH 1 | WEIGHT - | RESTRICTED TO - |
| CUSTOMER DRAWING | | | SCALE 4:1 | SHEET 1 OF 1 |

X-ON Electronics

Largest Supplier of Electrical and Electronic Components

Click to view similar products for [Terminals](#) category:

Click to view products by [TE Connectivity](#) manufacturer:

Other Similar products are found below :

[00-054007-01074-6](#) [00-054007-70206-1](#) [00-054007-70210-8](#) [00-054007-70217-7](#) [00-054007-70226-9](#) [00-054007-70228-3](#) [00-054007-70248-1](#) [00-054007-70256-6](#) [00-054007-70301-3](#) [00-054007-70316-7](#) [00-054007-49560-4](#) [00-054007-70209-2](#) [00-054007-70225-2](#) [00-054007-70227-6](#) [00-054007-70231-3](#) [00-054007-70241-2](#) [00-054007-70242-9](#) [00-054007-70244-3](#) [00-054007-70246-7](#) [00-054007-70263-4](#) [00-054007-70288-7](#) [00-054007-70290-0](#) [00-054007-70300-6](#) [00-054007-70304-4](#) [01-2065-1-0216](#) [01-2900-1-04412](#) [00581P0075](#) [600TS-10](#) [60205-1](#) [604200-1](#) [605601-1](#) [60598-1-CUT-TAPE](#) [61314-6-C](#) [61810-3](#) [61-S](#) [61-SN](#) [626-0194](#) [62-NBM-A](#) [62-SN](#) [62-SP](#) [63-S](#) [640179-1](#) [M55155/059I03](#) [M55155/079C01](#) [M55155/099H02](#) [M55155/109H01](#) [M55155/109H02](#) [M55155/12XH05](#) [M55155/16XH02](#) [M55155/29-5S](#)