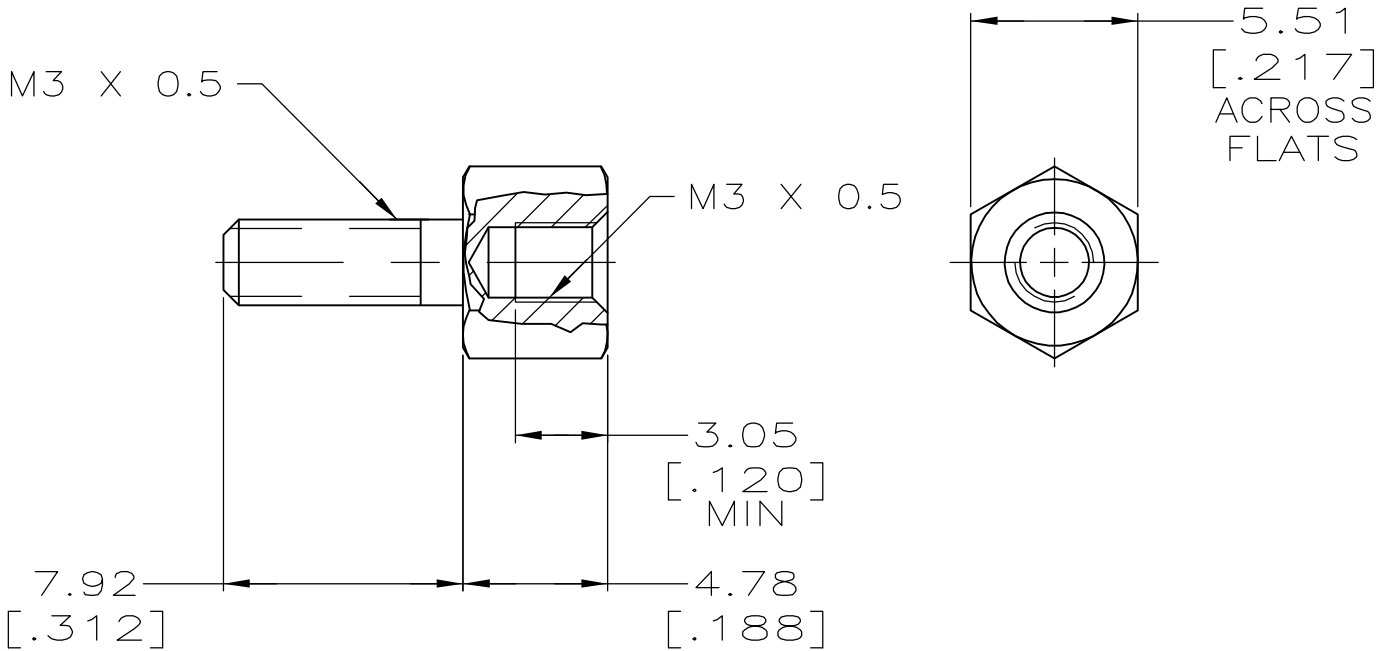


LOC	DIST	REVISIONS					
GP	00	P	LTR	DESCRIPTION	DATE	DWN	APVD
		0		RELEASED PER EC OS13-0207-05	23JUN05	RR	JG



- ① ZINC PLATED .000200-.000400 THICK, YELLOW CHROMATE COATING.
- ② ZINC PLATED .000200-.000400 THICK, CLEAR CHROMATE COATING.

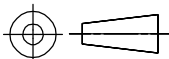
②	5207882-3
①	5207882-2
FINISH	PART NUMBER

THIS DRAWING IS UNPUBLISHED.

ALL RIGHTS RESERVED.

© COPYRIGHT - BY TYCO ELECTRONICS CORPORATION.

DIMENSIONS: mm [INCHES]	DWN R.RICHARDSON	23JUN05	MATERIAL CARBON STEEL	FINISH SEE TABLE
	CHK C.ROHDE	23JUN05	tyco Tyco Electronics Corporation Harrisburg, Pa 17105-3608 Electronics	
TOLERANCES UNLESS OTHERWISE SPECIFIED:	APVD M.WALMSLEY	23JUN05		
0 PLC ± -	PRODUCT SPEC	NAME SCREWLOCK, FEMALE, HD SERIES, METRIC, AMPLIMITE		
1 PLC ± -	APPLICATION SPEC	SIZE A4	CAGE CODE 00779	DRAWING NO C-5207882
2 PLC ± 0.13 [.005]	WEIGHT	RESTRICTED TO		
3 PLC ± -		-		
4 PLC ± -		CUSTOMER DRAWING		
ANGLES ± -		SCALE 4:1	SHEET 1 OF 1	REV 0



X-ON Electronics

Largest Supplier of Electrical and Electronic Components

Click to view similar products for te connectivity manufacturer:

Other Similar products are found below :

[570416-000](#) [CLTEQ-M81CE-SSRELAY-4-20V](#) [4-1633138-8](#) [D38999/24FJ4AN](#) [4-1195131-0](#) [650069-000](#) [SMD100-2](#) [2EDL4CM](#)
[DTS20W19-11PD-3028](#) [DTS20W19-11PD-3028-LC](#) [DTS20W19-32SD-3028-LC](#) [DTS20W19-32SD-3028](#) [NC6-P104-06](#) [TXR64AB90-](#)
[3616AI](#) [DTS26F21-41HE](#) [DTS26F21-41AE](#) [DTS26F21-41PE-LC](#) [DTS26F21-11SE-3028-LC](#) [D38999/24WF32JE](#) [D38999/24WF32SE-LC](#)
[DTS24W19-32HE](#) [D38999/20JB35HA](#) [D38999/24WJ20PA](#) [164-8033-08](#) [D38999/24FF32JE](#) [D38999/24FF32SE-LC](#) [D38999/24WF32JB](#)
[D38999/24WG11HA](#) [D38999/24WG11HN](#) [MS27467T21F11H](#) [DJT16E21-11HA](#) [DTS24F19-32HE](#) [DTS20W19-32SA-3028-LC](#) [DTS24F19-](#)
[11SC-3028-LC](#) [DTS24F19-11SC-3028](#) [DJT14E13-98HB](#) [D38999/20WC8BB](#) [1-330599-5](#) [DTS24F21-41HN-LC](#) [DTS24F21-41HN](#)
[DTS24F21-41AN](#) [DTS24F21-39HN](#) [DTS24F21-41PN-LC](#) [AFD50-10-6SN-1A-LC](#) [DJT10F17-26HC](#) [DTS24W19-32HB](#) [ACT20JE99HA](#)
[DJT10E17-26HC](#) [DJT10E17-26HN](#) [DJT10F17-26HA](#)