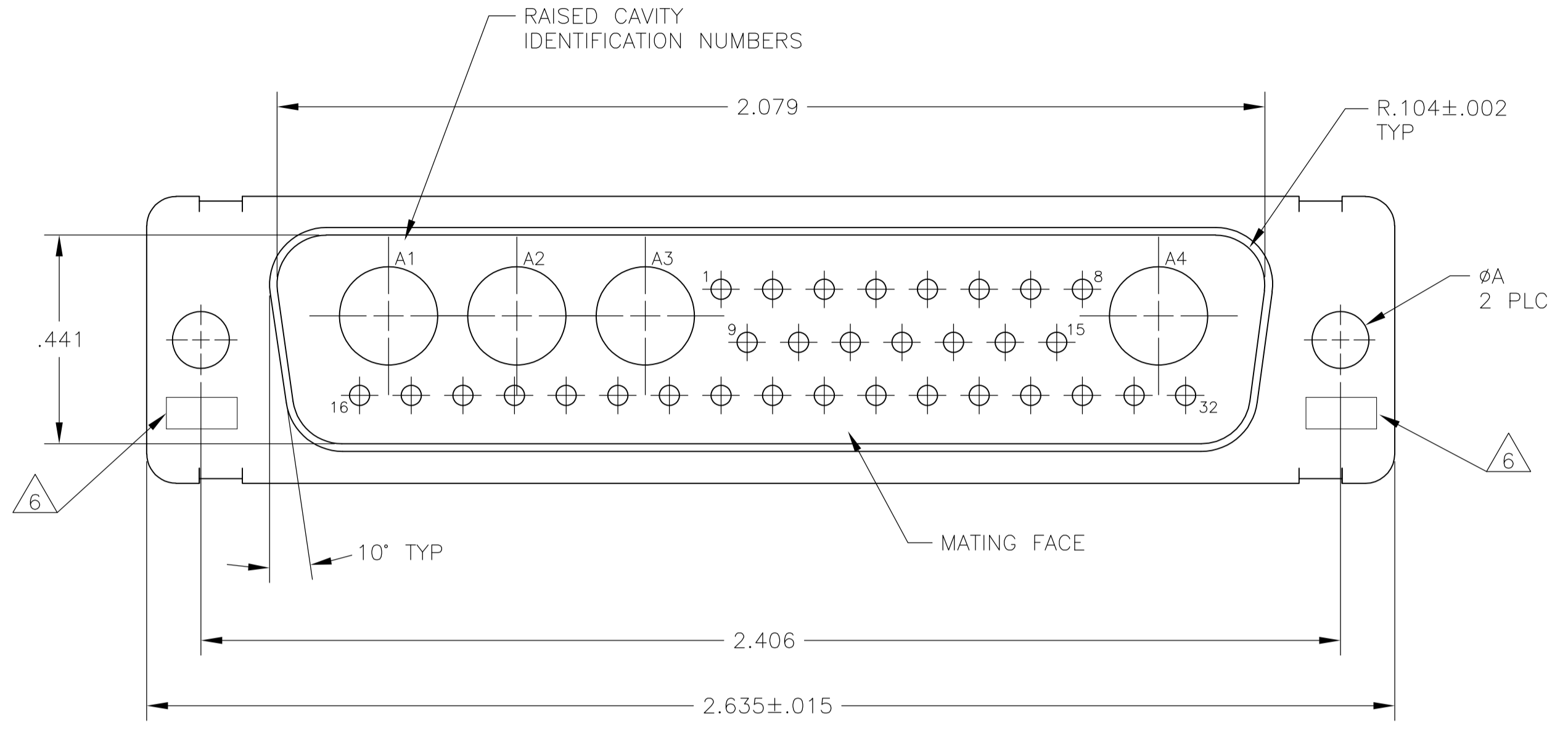
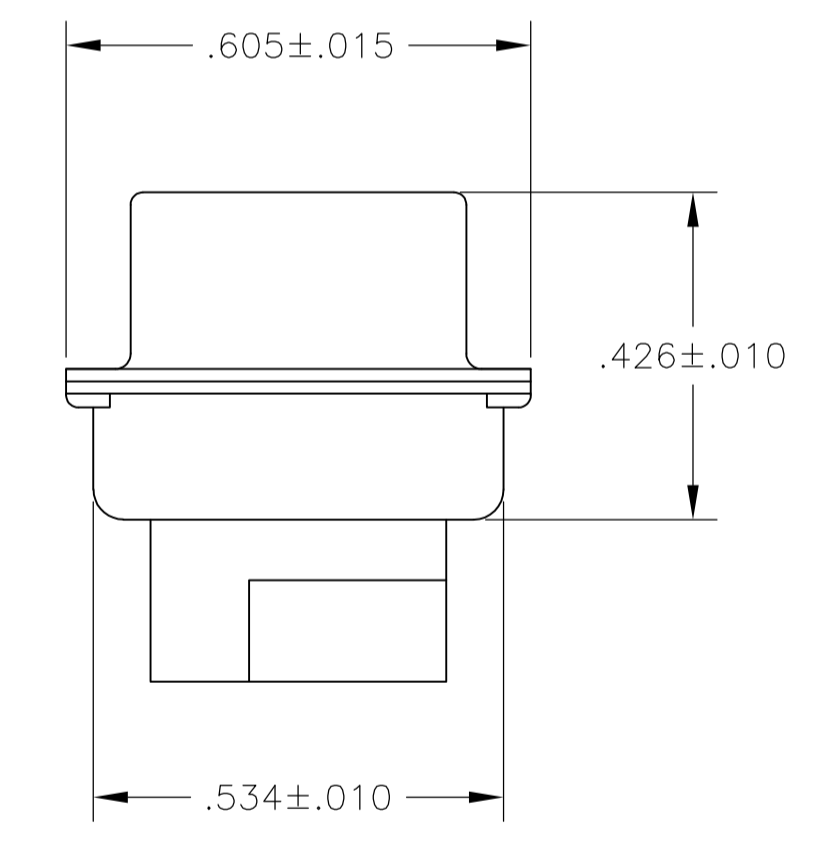
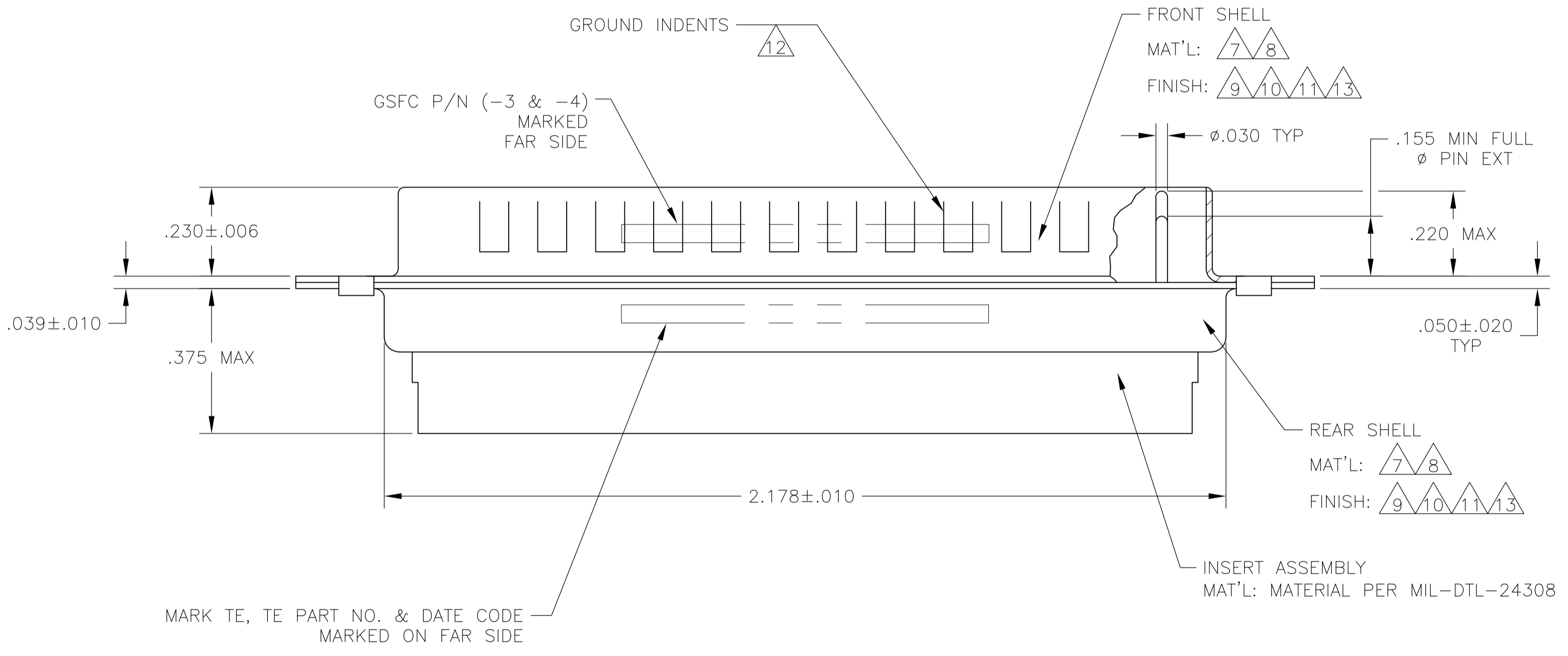


LOC		DIST		REVISIONS			
P	LTR	DESCRIPTION	DATE	DMN	APVD		
P		REVISED PER ECO-15-016251	13NOV15	KG	CD		



- THIS PLUG WILL MATE WITH ANY 36C4, SIZE 5 RECEPTACLE IN AMPLIMITE SERIES.
 - MAXIMUM WIRE INSULATION TO BE USED WITH THIS PLUG IS $\phi.072$.
 - THIS CONNECTOR ACCEPTS (4) POWER 8, OR COAX PIN CONTACTS IN POSITIONS A1 THRU A4, PURCHASED SEPARATELY.
 - THIS CONNECTOR ACCEPTS SIZE 20 PIN SIGNAL CONTACTS IN POSITIONS 1 THRU 32, PURCHASED SEPARATELY.
 - INSERTION/EXTRACTION TOOL USED FOR SIZE 20 PIN SIGNAL CONTACTS IS 91067-2.
- $\triangle 6$ UL/CSA DESIGNATION STAMPED IN THIS AREA, OPTIONAL.
 $\triangle 7$ STEEL PER ASTM-A-109.
 $\triangle 8$ BRASS PER MIL-C-50 AND ASTM-B-36 UNS NO. C26000.
 $\triangle 9$ FINISH: CADMIUM PLATED PER QQ-P-416, TYPE II, CLASS 2.
 $\triangle 10$ FINISH: GOLD PLATED PER MIL-G-45204 TYPE II, GRADE C, CLASS 1 OVER COPPER PER MIL-C-14550, CLASS IV.
 $\triangle 11$ FINISH: TIN PER ASTM-B-545, .000400 MIN THK OVER COPPER PER AMS2418, .000050 MIN THK.
 $\triangle 12$ GROUND INDENTS FOR 208744-5 & 5-208744-5 ONLY.
 $\triangle 13$ FINISH: ZINC PLATE PER ASTM-B-633 .000200-.000400 THK WITH SUPPLEMENTARY CHROMATE (Cr3+).



MARK TE, TE PART NO. & DATE CODE MARKED ON FAR SIDE

$\triangle 7, \triangle 12, \triangle 11$.120	-	5-208744-5
$\triangle 7, \triangle 13$.154	-	5-208744-2
$\triangle 7, \triangle 13$.120	-	5-208744-1
$\triangle 7, \triangle 11, \triangle 12$.120	-	208744-5
$\triangle 8, \triangle 10$.154	311P405-23P-B-15	208744-4
$\triangle 8, \triangle 10$.120	311P405-23P-B-12	208744-3
$\triangle 7, \triangle 9$.154	-	208744-2
$\triangle 7, \triangle 9$.120	-	208744-1
REMARKS	ØA	GSFC P/N	PART NO.

THIS DRAWING IS A CONTROLLED DOCUMENT.

DIMENSIONS: INCHES	TOLERANCES UNLESS OTHERWISE SPECIFIED:	DIN	MANJUNATH G.M. 27-May-15	TE Connectivity
0 PLC ± - 1 PLC ± - 2 PLC ± - 3 PLC ± .005(0.13) 4 PLC ± - ANGLES ± 0°30'		CHK	CHARLES THOMAS 27-May-15	
MATERIAL	FINISH	APVD	CHARLES THOMAS 27-May-15	NAME
		PRODUCT SPEC		PLUG ASSEMBLY AMPLIMITE 36C4 SIZE 5, COAX MIX
		APPLICATION SPEC		SIZE
		WEIGHT	A1 00779	CAGE CODE
		CUSTOMER DRAWING	SCALE 4:1	SHEET 1 of 1

X-ON Electronics

Largest Supplier of Electrical and Electronic Components

Click to view similar products for [D-Sub MIL Spec Connectors](#) category:

Click to view products by [TE Connectivity](#) manufacturer:

Other Similar products are found below :

[M24308/4-13Z](#) [M8351307-B](#) [D38999/24WE6SD](#) [D38999/24WG11PB-LC](#) [MDM-21SH003B-K139](#) [1218697-4](#) [MS27467T21F41S](#)
[MS27468T21F11P](#) [MS27468T21F11S](#) [17D25HV](#) [1996840-1](#) [243082-15](#) [1663962-1](#) [1757682-1](#) [17D-E51218-1](#) [17SDA15S](#) [1883533-1](#)
[1883886-1](#) [1883889-1](#) [192900-0377](#) [M24308/2-3Z](#) [M24308/4-3Z](#) [M24308/4-4F](#) [M24308/4-4Z](#) [M83513/03-E09C](#) [M83723/75W2212N L/C](#)
[D38999/24FJ29PN-LC](#) [D38999/24WG11SB-LC](#) [5-1218949-1](#) [550-031NF1R6K](#) [550E001NF1R3J0L](#) [550T001NF1R6K0L](#) [C115368-1612B](#)
[C115370-1717B](#) [DC121073157](#) [443869-3](#) [443869-4](#) [443869-5](#) [550S004NF1R1B0F03](#) [550-031NF1R2E](#) [550E003M2R9J0F04](#)
[550E003M3R9J0F05](#) [550E024M104R9J0](#) [550E024NF102R3J0B](#) [550E039NF1R3J1-02](#) [550S003M3R9B0F05](#) [550S004M4R7M0F04](#)
[550S004NF1R1B1F02](#) [550S086M5R3J0L](#) [550S100NF3F0E](#)