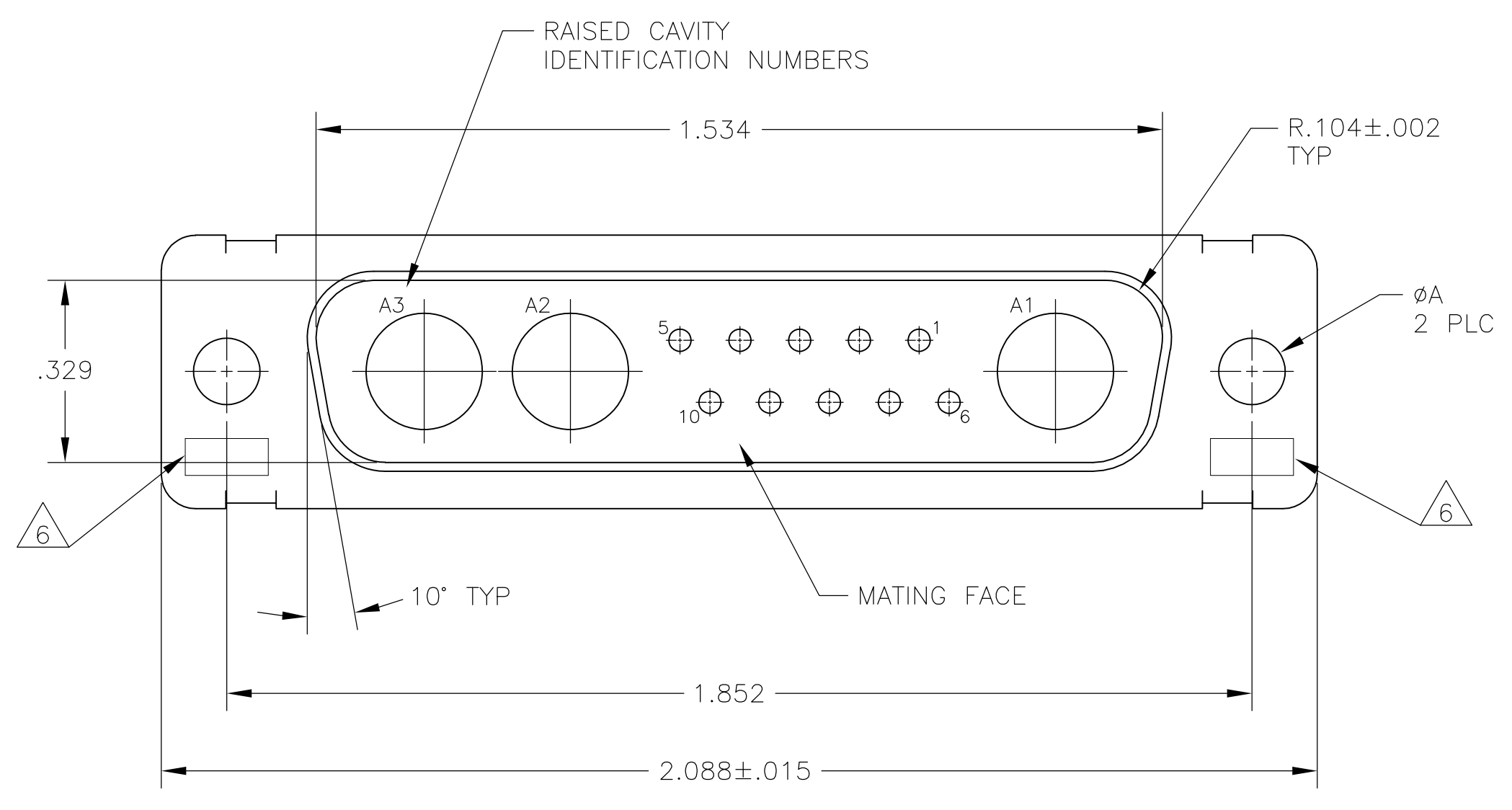
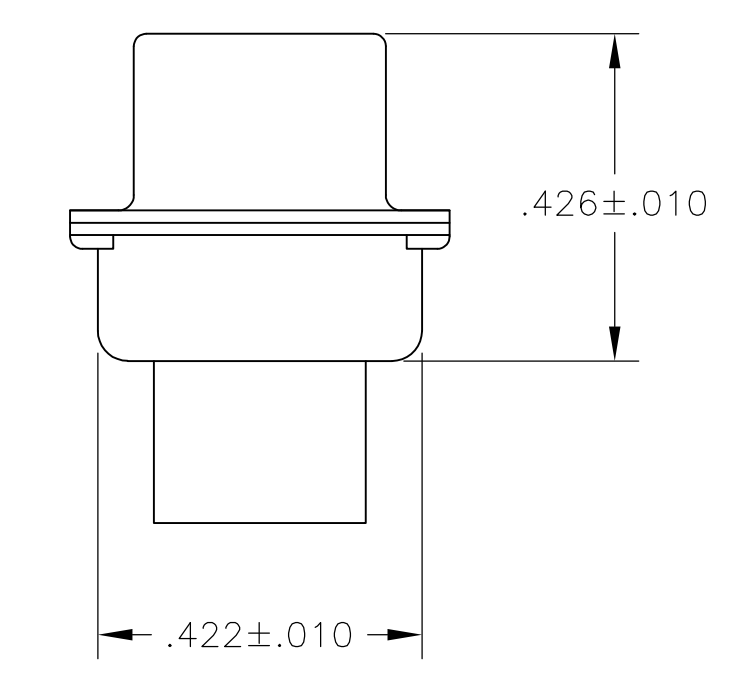
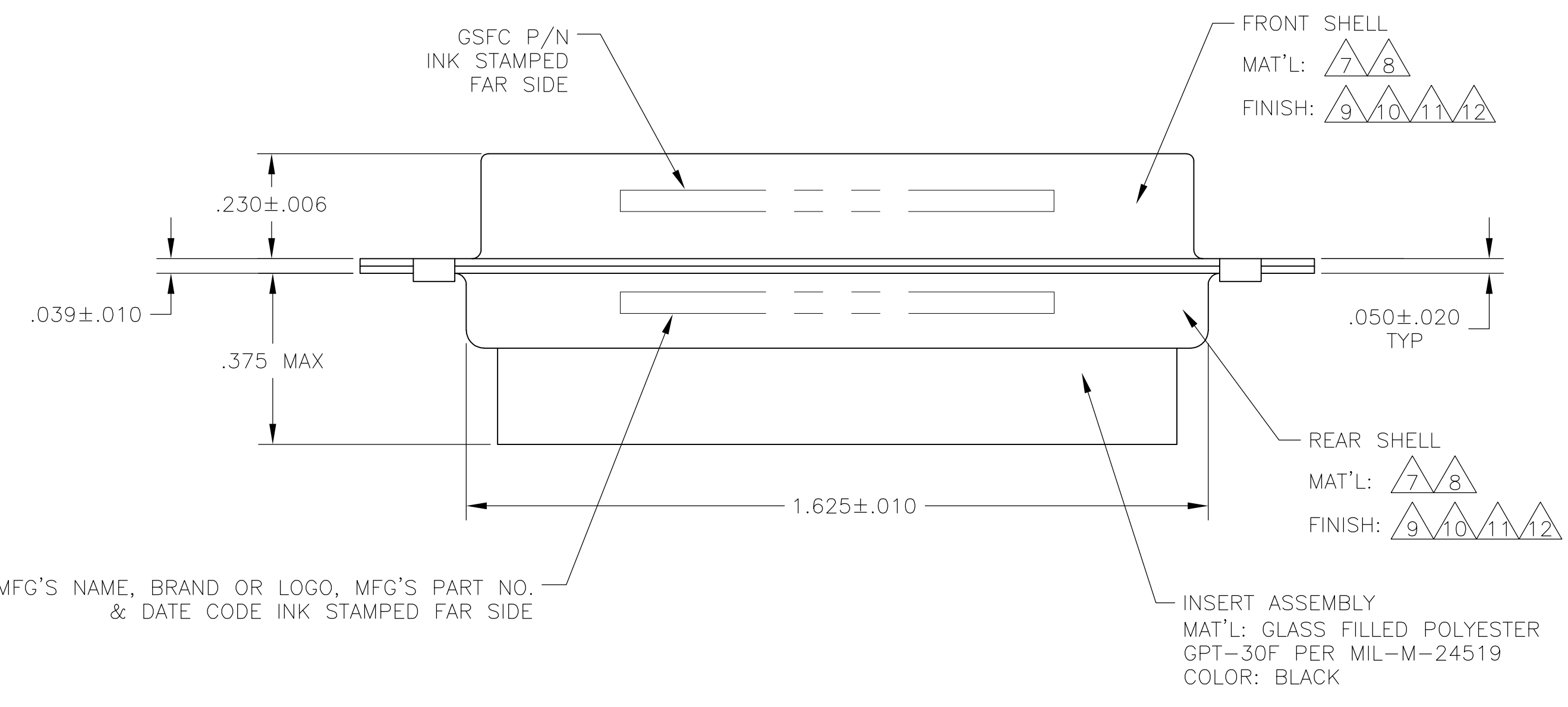


LOC		DIST		REVISIONS			
P	LTR	DESCRIPTION	DATE	DN	APVD		
S		REVISED PER ECO-15-016251	13NOV15	KG	CD		



1. THIS PLUG WILL MATE WITH ANY 13C3, SIZE 3 RECEPTACLE IN AMPLIMITE SERIES.
 2. MAXIMUM WIRE INSULATION TO BE USED WITH THIS PLUG IS ϕ .068.
 3. THIS CONNECTOR ACCEPTS (3) POWER 8, OR COAX PIN CONTACTS IN POSITIONS A1 THRU A3, PURCHASED SEPARATELY.
 4. THIS CONNECTOR ACCEPTS SIZE 20 PIN SIGNAL CONTACTS IN POSITIONS 1 THRU 10, PURCHASED SEPARATELY.
5. GROUNDING INDENTS FOR 208810-2 & 5-208810-2 ONLY (NOT SHOWN ON DRAWING).
6. UL/CSA DESIGNATION STAMPED IN THIS AREA, OPTIONAL.
7. STEEL PER ASTM-A-109.
8. BRASS PER MIL-C-50 AND ASTM-B-36 UNS NO. C26000.
9. FINISH: TIN PER ASTM-B-545 .000400 MIN THK OVER COPPER PER AMS2418 .000050 MIN THK.
10. CADMIUM PLATED PER QQ-P-416.
11. FINISH: GOLD PLATED PER MIL-G-45204 TYPE II, GRADE C, CLASS 1 OVER COPPER PER MIL-C-14550, CLASS IV.
12. FINISH: ZINC PLATE PER ASTM-B-633, .000200-.000400 THK WITH SUPPLEMENTARY CHROMATE (Cr3+)



REMARKS	ØA	GSFC P/N	MFG'S PART NO.
5 7 9	.120	-	5-208810-2
7 12	.120	-	5-208810-1
8 11	.154	311P405-12P-B-15	208810-4
8 11	.120	311P405-12P-B-12	208810-3
5 7 9	.120	-	208810-2
7 10	.120	-	208810-1

THIS DRAWING IS A CONTROLLED DOCUMENT.

DIMENSIONS: INCHES	TOLERANCES UNLESS OTHERWISE SPECIFIED:	DIN C.C.THOMAS 04FEB88	DRW C.C.THOMAS 04FEB88	TE Connectivity		
0 PLC ± -	1 PLC ± -	CHK A.FMADI 09FEB88	APVD A.FMADI 09FEB88			
2 PLC ± -	3 PLC ± .005(0.13)	NAME PLUG ASSEMBLY		AMPLIMITE 13C3 SIZE 3, SERIES 109, COAX MIX		
4 PLC ± -	ANGLES ± 0°30'	PRODUCT SPEC				
MATERIAL	FINISH	APPLICATION SPEC	SIZE A1	CAGE CODE 00779	DRAWING NO. 208810	RESTRICTED TO
CUSTOMER DRAWING		WEIGHT	SCALE 4:1	SHEET 1 OF 1	REV S	

X-ON Electronics

Largest Supplier of Electrical and Electronic Components

Click to view similar products for [D-Sub MIL Spec Connectors](#) category:

Click to view products by [TE Connectivity](#) manufacturer:

Other Similar products are found below :

[M24308/4-13Z](#) [M8351307-B](#) [D38999/24WG11PB-LC](#) [MDM-21SH003B-K139](#) [1218697-4](#) [MS27467T21F41S](#) [MS27468T21F11P](#)
[MS27468T21F11S](#) [17D25HV](#) [1996840-1](#) [243082-15](#) [1663962-1](#) [1757682-1](#) [17D-E51218-1](#) [17SDA15S](#) [1883533-1](#) [1883886-1](#) [1883889-1](#)
[192900-0377](#) [M24308/2-3Z](#) [M24308/4-3Z](#) [M24308/4-4F](#) [M24308/4-4Z](#) [M83513/03-E09C](#) [M83723/75W2212N L/C](#) [D38999/24FJ29PN-LC](#)
[D38999/24WG11SB-LC](#) [5-1218949-1](#) [550-031NF1R6K](#) [550E001NF1R3J0L](#) [550T001NF1R6K0L](#) [C115368-1612B](#) [C115370-1717B](#)
[DC121073157](#) [443869-3](#) [443869-4](#) [443869-5](#) [550S004NF1R1B0F03](#) [550-031NF1R2E](#) [550E003M2R9J0F04](#) [550E003M3R9J0F05](#)
[550E024M104R9J0](#) [550E024NF102R3J0B](#) [550E039NF1R3J1-02](#) [550S003M3R9B0F05](#) [550S004M4R7M0F04](#) [550S004NF1R1B1F02](#)
[550S086M5R3J0L](#) [550S100NF3F0E](#) [550T001M2R7E0L](#)