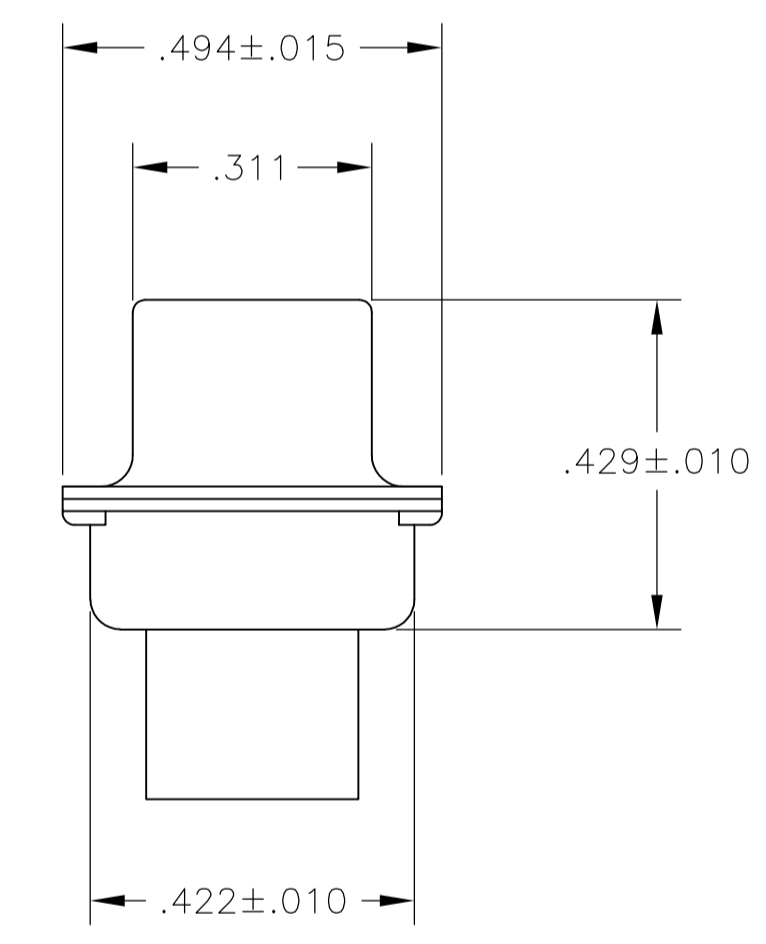
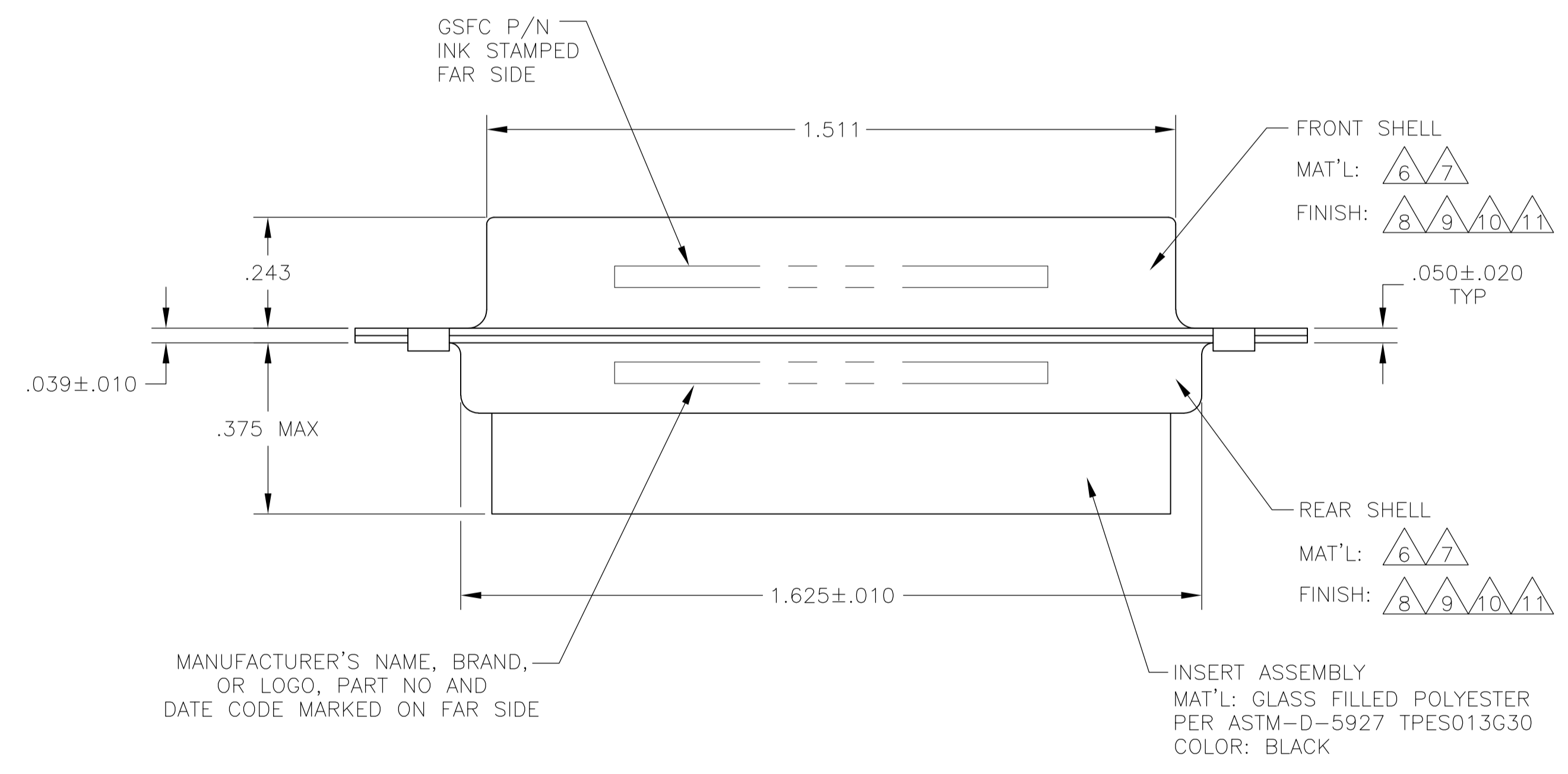
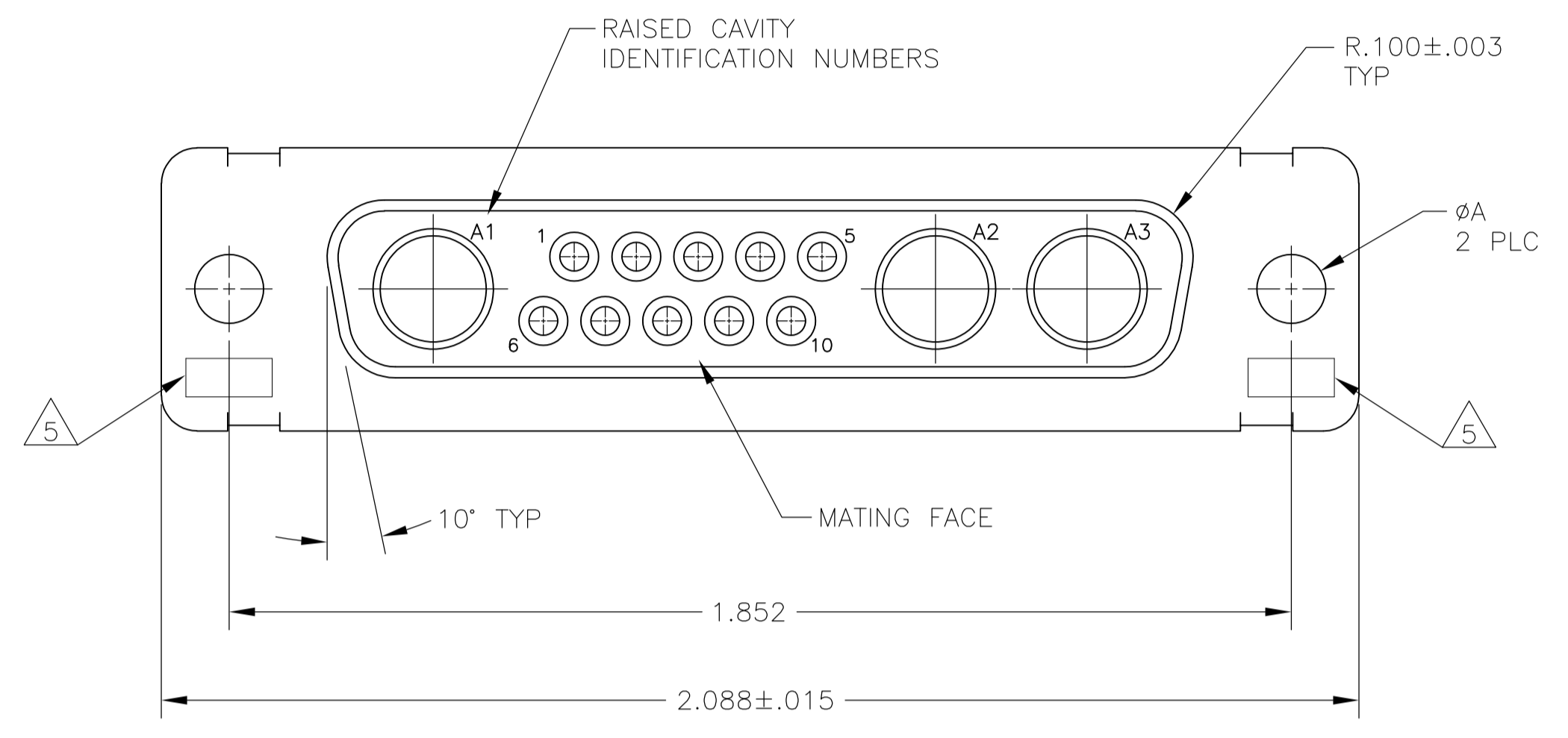


LOC		DIST		REVISIONS			
P	LTR	DESCRIPTION	DATE	DWN	APVD		
T		REVISED PER ECO-15-016251	13NOV15	KG	CD		

- THIS RECEPTACLE WILL MATE WITH ANY 13C3, SIZE 3 PLUG IN AMPLIMITE SERIES.
  - MAXIMUM WIRE INSULATION TO BE USED WITH THIS RECEPTACLE IS  $\phi .068$ .
  - THIS CONNECTOR ACCEPTS (3) POWER 8, OR COAX SOCKET CONTACTS IN POSITIONS A1 THRU A3, PURCHASED SEPARATELY.
  - THIS CONNECTOR ACCEPTS SIZE 20 SOCKET SIGNAL CONTACTS IN POSITIONS 1 THRU 10, PURCHASED SEPARATELY.
- 5 UL/CSA DESIGNATION STAMPED IN THIS AREA, OPTIONAL.
  - 6 STEEL PER ASTM-A-109.
  - 7 BRASS PER MIL-C-50 AND ASTM-B-36 UNS NO. C26000.
  - 8 FINISH: CADMIUM PLATED PER QQ-P-416.
  - 9 FINISH: TIN PER ASTM-B-545 .000400 MIN THK OVER COPPER PER AMS2418 .000050 MIN THK.
  - 10 GOLD PLATED PER ASTM-B-488 TYPE II, GRADE C, CLASS 1 OVER COPPER PER AMS2418, CLASS IV.
  - 11 FINISH: ZINC PLATE PER ASTM-B-633, .000200-.000400 THK WITH SUPPLEMENTARY CHROMATE (Cr3+)



REMARKS	$\phi A$	GSFC P/N	PART NO.
6, 9	.120	-	5-208811-2
6, 11	.120	-	5-208811-1
7, 10	.154	311P405-12S-B-15	208811-4
7, 10	.120	311P405-12S-B-12	208811-3
6, 9	.120	-	208811-2
6, 8	.120	-	208811-1

THIS DRAWING IS A CONTROLLED DOCUMENT.

DIMENSIONS: INCHES	TOLERANCES UNLESS OTHERWISE SPECIFIED:	DIN C.C.THOMAS 04FEB88	APVD A.FMADI 09FEB88	NAME RECEPTACLE ASSEMBLY AMPLIMITE 13C3 SIZE 3, SERIES 109, COAX MIX
0 PLC ± -	1 PLC ± -	2 PLC ± -	3 PLC ± .005(0.13)	4 PLC ± ± 0°/30°
MATERIAL	FINISH	WEIGHT	SCALE 4:1	SHEET 1 OF 1

STE TE Connectivity

RECEPTACLE ASSEMBLY AMPLIMITE 13C3 SIZE 3, SERIES 109, COAX MIX

SIZE A1 00779 C=208811

CUSTOMER DRAWING

## X-ON Electronics

Largest Supplier of Electrical and Electronic Components

*Click to view similar products for [D-Sub MIL Spec Connectors](#) category:*

*Click to view products by [TE Connectivity](#) manufacturer:*

Other Similar products are found below :

[M85049/50-5F](#) [850-056-0812](#) [1218697-4](#) [1484349-1](#) [17D25HV](#) [1996840-1](#) [243082-15](#) [1757682-1](#) [17D-E51218-1](#) [17SDA15S](#) [1883533-1](#)  
[1883886-1](#) [1883889-1](#) [192900-0377](#) [M24308/8-347](#) [M83513/03-E09C](#) [443961-3](#) [5-1218949-1](#) [550-031NF1R6K](#) [3-1236089-2](#)  
[550E001NF1R3J0L](#) [550T001NF1R6K0L](#) [557T283NF5B08](#) [DB121073-56](#) [DC121073157](#) [443869-3](#) [443869-4](#) [443869-5](#)  
[550S004NF1R1B0F03](#) [557E283NF1A06](#) [527-019NF0303R2K1F](#) [5-446405-1](#) [550-031NF1R2E](#) [550E003M2R9J0F04](#) [550E003M3R9J0F05](#)  
[550E024M104R9J0](#) [550E024NF102R3J0B](#) [550E039NF1R3J1-02](#) [550S003M3R9B0F05](#) [550S004M4R7M0F04](#) [550S004NF1R1B1F02](#)  
[550S008M3F0K0F04](#) [550S086M5R3J0L](#) [550S100NF3F0E](#) [550T001M2R7E0L](#) [550T001NF1F0B1L](#) [550T001NF1R1K0G](#)  
[550T001NF1R3K0G](#) [550T001NF1R4K0L](#) [550T001NF2R2K0L](#)