

THIS DRAWING IS UNPUBLISHED. RELEASED FOR PUBLICATION
 © COPYRIGHT - BY TYCO ELECTRONICS CORPORATION. ALL RIGHTS RESERVED.

LOC	DIST	REVISIONS					
EA	51	P	LTR	DESCRIPTION	DATE	DWN	APVD
			A	SEE SHEET 2	05JUN06	LGE	RP

- NOTES:**
- CONNECTOR KEYING CONFORMS TO ANSI X3T9.5/84-48.
 - LED IS "ON" WHEN IN INSERTED STATE.
 - THIS PRODUCT HAS NOT COMPLETED VALIDATION TESTING.

SPECIFICATIONS:

SWITCH LEGEND	
PI = PRIMARY IN	PTx = PRIMARY TRANSMIT
SO = SECONDARY OUT	STx = SECONDARY TRANSMIT
PO = PRIMARY OUT	PRx = PRIMARY RECEIVE
SI = SECONDARY IN	SRx = SECONDARY RECEIVE

FIBER TYPE
62.5/125/250

INSERTION LOSS

INSERTION LOSS DATA INCLUDES TWO CONNECTED PAIRS TESTED PER FOTP-34 METHOD A2

OPERATE MODE, POWER ON

PI LINE TO PRX STATION	2.3 DB MAX
SI LINE TO SRX STATION	2.3 DB MAX
PTX STATION TO PO LINE	2.3 DB MAX
STX STATION TO SO LINE	2.3 DB MAX

BYPASS MODE, POWER OFF

PI LINE TO PO LINE	2.8 DB MAX
SI LINE TO SO LINE	2.8 DB MAX
PTX STATION TO PRX STATION	5.0 DB MAX
STX STATION TO SRX STATION	5.0 DB MAX

OPTICAL CROSSTALK </= -45 DB, PER FOTP-42

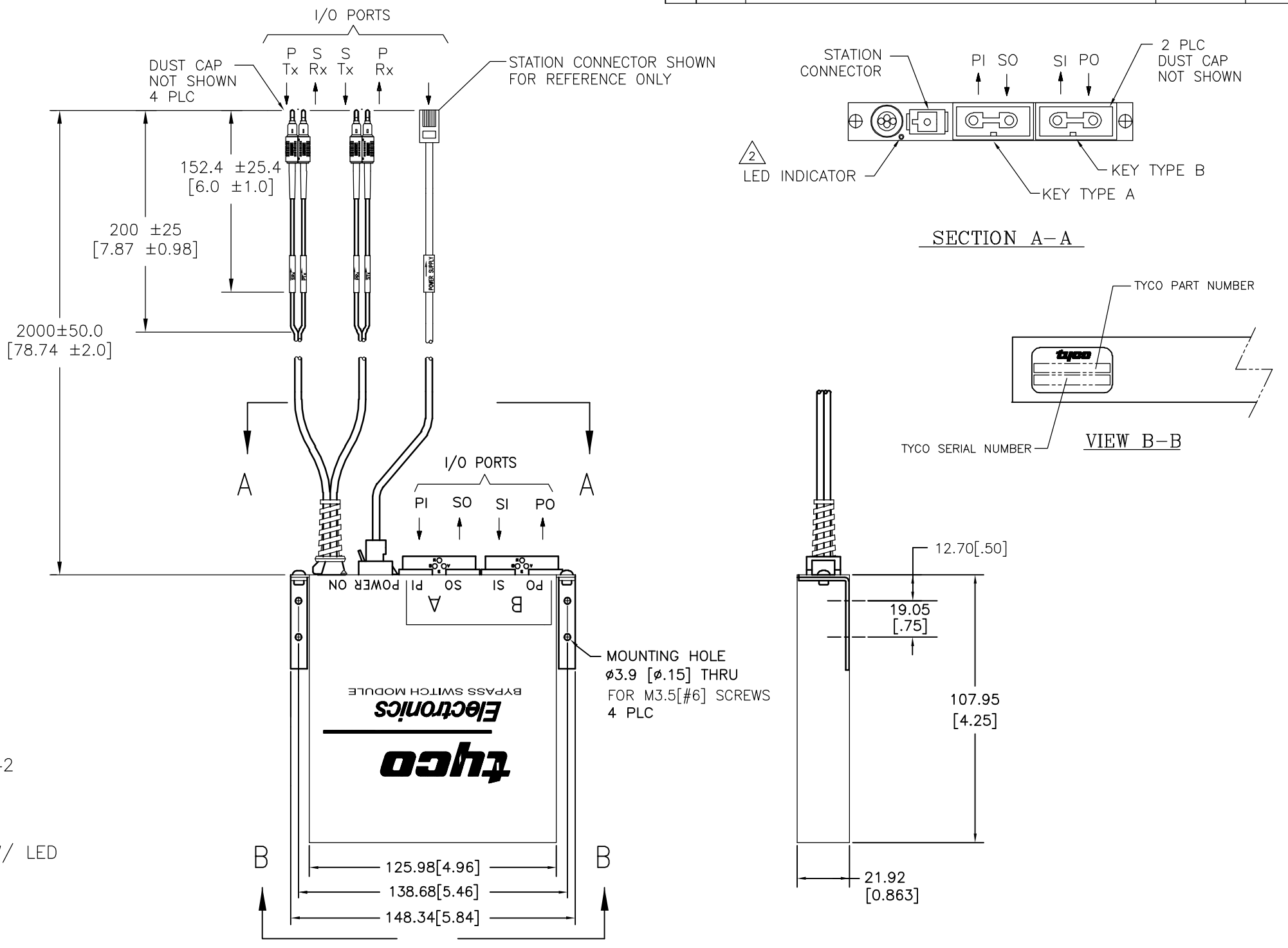
OPERATING WAVE LENGTH 750 TO 1450nm

TESTED WAVELENGTH 1300nm

POWER REQUIREMENTS 4.0 TO 5.5 VDC

190 MA MAX AT 5.0 VDC W/ LED

SWITCHING SPEED 10 MILLISECONDS MAX



KIT P/N	MODULE P/N	POWER CORD P/N	STATION CONNECTOR TYPE
5209166-3	5209662-4	5209503-2	6 POS. SHIELDED MOD PLUG
5209166-4	5209662-4	5209504-2	6 POS. SHIELDED MINI DIN
5209166-6	5209662-4	5209506-2	4 POS. MOD PLUG
5209166-8	5209662-4	5209659-2	6 MOD IV REC

THIS DRAWING IS A CONTROLLED DOCUMENT.

DIMENSIONS: mm [INCHES]	TOLERANCES UNLESS OTHERWISE SPECIFIED:	DWN S. MONGOLD 11JAN06	 Tyco Electronics Corporation Harrisburg, PA 17105-3608
		CHK R. PAUL 11JAN06	
		APVD F. ABENDSCHEIN 11JAN06	NAME
			PRODUCT SPEC
			APPLICATION SPEC
MATERIAL	FINISH	WEIGHT	SIZE CAGE CODE DRAWING NO RESTRICTED TO
			A3 00779 C-5209166
CUSTOMER DRAWING			SCALE 1:1 SHEET 1 OF 2 REV A

4

3

2


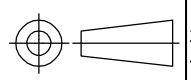
1

THIS DRAWING IS UNPUBLISHED. RELEASED FOR PUBLICATION

© COPYRIGHT - BY TYCO ELECTRONICS CORPORATION. ALL RIGHTS RESERVED.

LOC	DIST	REVISIONS					
EA	51	P	LTR	DESCRIPTION	DATE	DWN	APVD
			-	SEE REVISION CHART	-	-	-

DATE	REVISION	CHANGES	REASON	APPROVAL
11JAN06	1	PRINT CREATED	-	RP
01MAR06	2	UPDATED PER BYPASS SWITCH KIT EXAMPLE PRINT	-	RP
05JUN06	A	CHANGE STATUS TO ACTIVE	-	RP

THIS DRAWING IS A CONTROLLED DOCUMENT.		DWN	S. MONGOLD	11JAN06	 Tyco Electronics Corporation Harrisburg, PA 17105-3608
DIMENSIONS: mm [INCHES]		CHK	R. PAUL	11JAN06	
TOLERANCES UNLESS OTHERWISE SPECIFIED:		APVD	F. ABENDSCHEIN	11JAN06	
 0 PLC ± - 1 PLC ± - 2 PLC ± - 3 PLC ± - 4 PLC ± - ANGLES ± 2'		PRODUCT SPEC		NAME	
MATERIAL		APPLICATION SPEC		BYPASS SWITCH MODULE	
FINISH		WEIGHT		FSD MIC ADAPTOR/DUPLEX SC PIGTAIL	
		CUSTOMER DRAWING		SIZE	RESTRICTED TO
				A3	
				CAGE CODE	
				00779	
				DRAWING NO	
				C=5209166	
				SCALE	
				1:1	
				SHEET	
				2 OF 2	
				REV	
				A	

X-ON Electronics

Largest Supplier of Electrical and Electronic Components

Click to view similar products for [Fiber Optic Connectors](#) category:

Click to view products by [TE Connectivity](#) manufacturer:

Other Similar products are found below :

[0004700001](#) [6100-R](#) [6313](#) [F709034706](#) [F709722200](#) [F718183204](#) [F727403500](#) [F727752800](#) [FCXO-12-3BY](#) [FO-SCREW\(M2X6\)](#) [9440F20-27S-190](#) [944-120-6001](#) [944-125-6003](#) [9441F10SL-3P](#) [9441F10SL-3S](#) [9446F10SL-4S](#) [9446F12S-3S](#) [953-101-5310-P](#) [954-101-57202B](#)
[A0270169](#) [12-9122](#) [12-5702](#) [143025NC](#) [AX101713](#) [AX102420](#) [AX103923](#) [AX104141](#) [AX104193](#) [AX104228](#) [AX104230](#) [AX104562](#)
[AX105203-B25](#) [AX105205-S1](#) [EHSC2M](#) [17-300800](#) [181-011-126](#) [BT34IW](#) [HRFCP-HSCJ-1\(61\)](#) [HRFC-R2\(40\)](#) [NKSOPBUY](#) [20500002116](#)
[2064996-1](#) [20800001065](#) [2170](#) [9132](#) [2612](#) [2620](#) [9291](#) [9440F18-19S](#) [9440F20-14P](#)