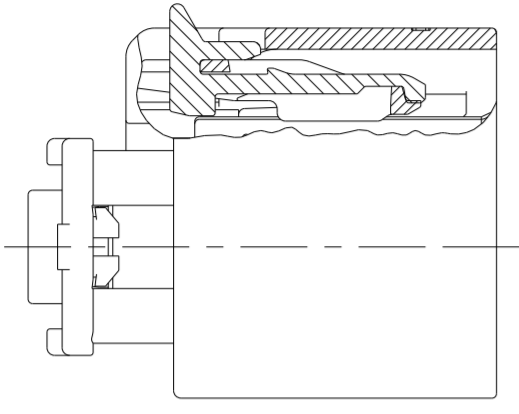
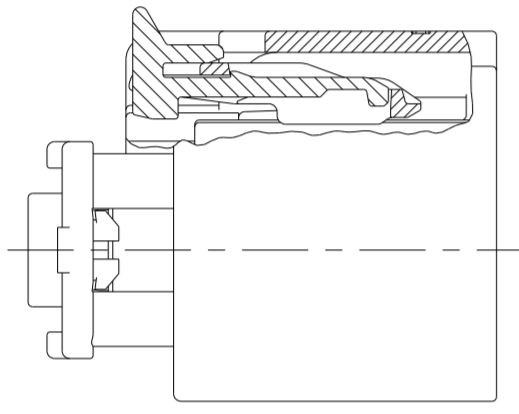


THIS DRAWING IS UNPUBLISHED. RELEASED FOR PUBLICATION 20  
 © COPYRIGHT 20 BY - ALL RIGHTS RESERVED.

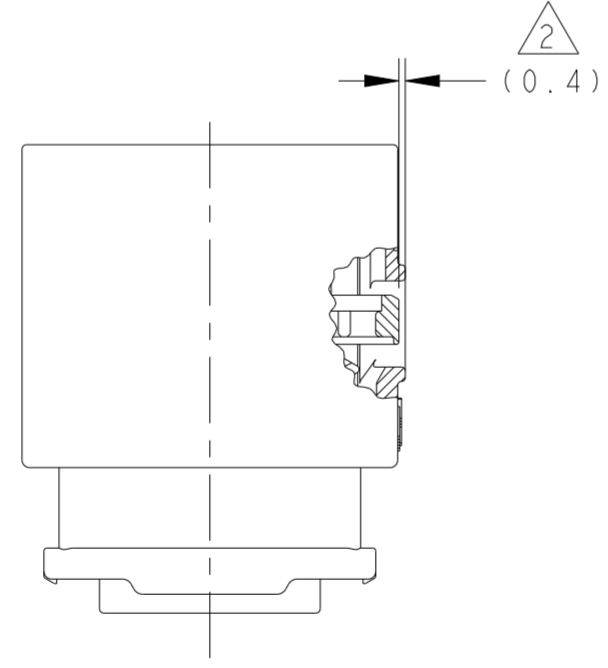
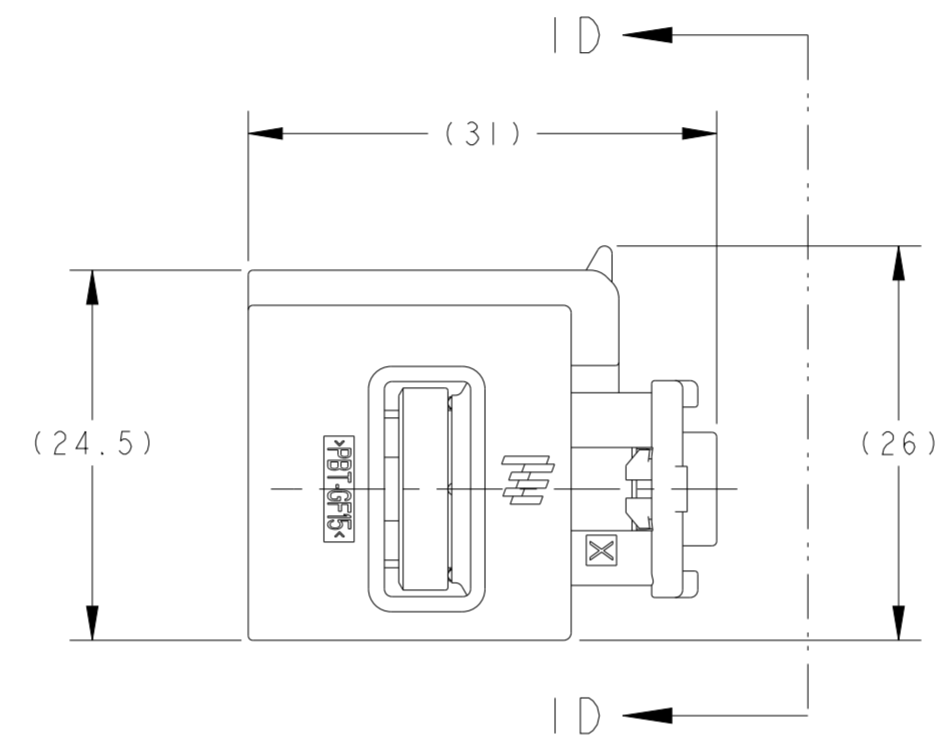
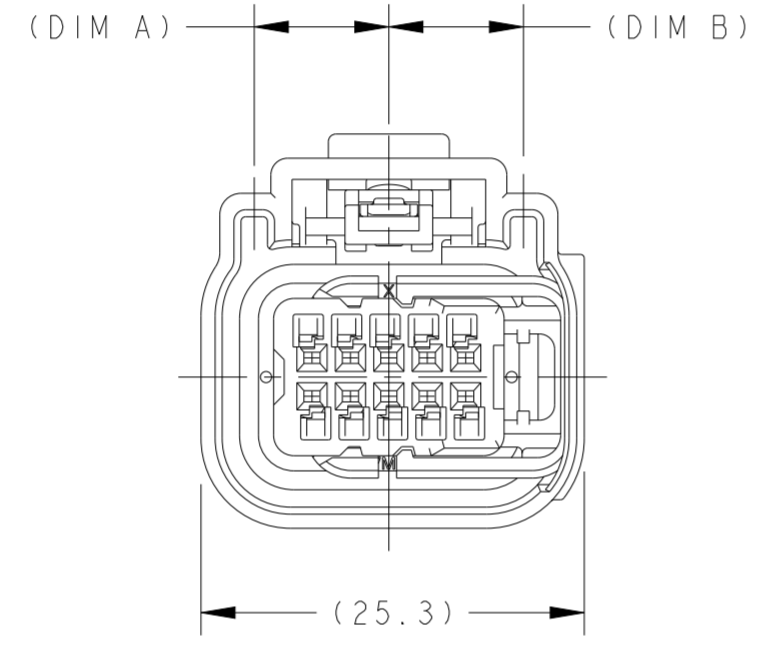
REVISIONS					
P	LTR	DESCRIPTION	DATE	DWN	APVD
B11		REVISED PER ECO-17-016057	02NOV2017	JMS	CS
B12		REVISED PER ECO-18-000662	16JAN2018	JMS	CS
B13		REVISED PER ECN-21-130901	07JAN2022	SMR	CS
B14		REVISED PER ECN-22-135983	31JAN2022	JMS	CS



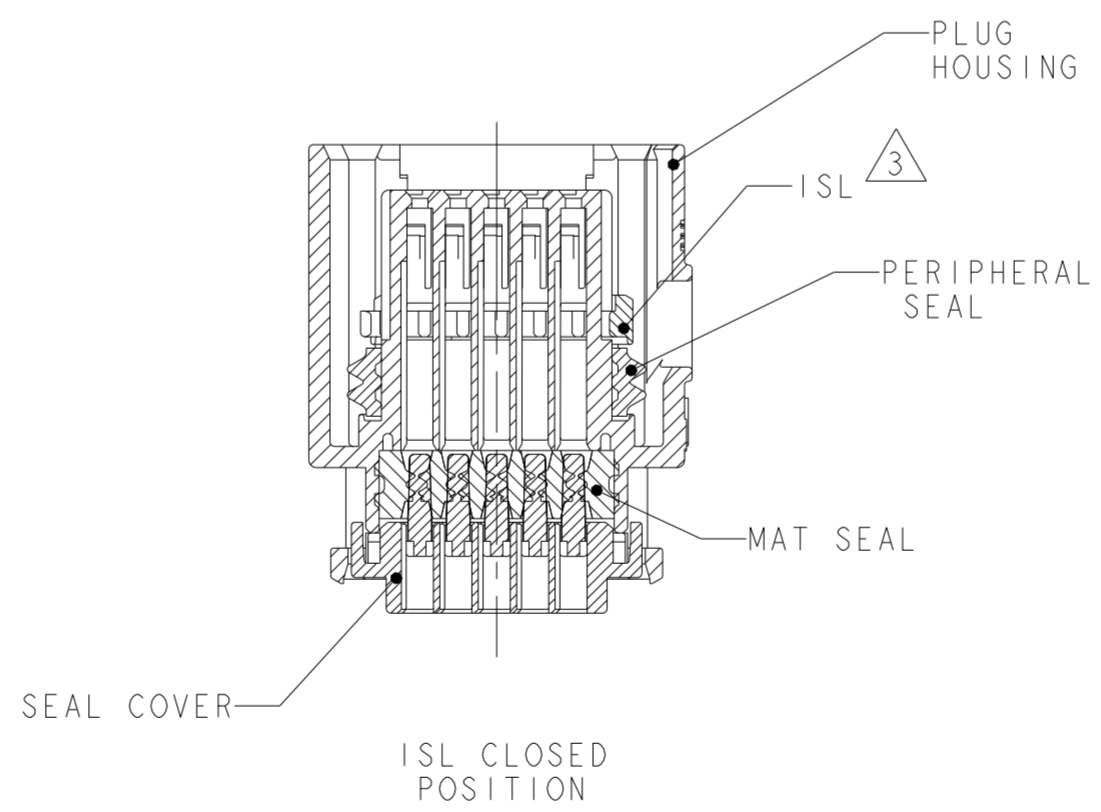
CPA CLOSED POSITION <sup>3</sup>



CPA PRE-LATCHED POSITION <sup>2</sup>



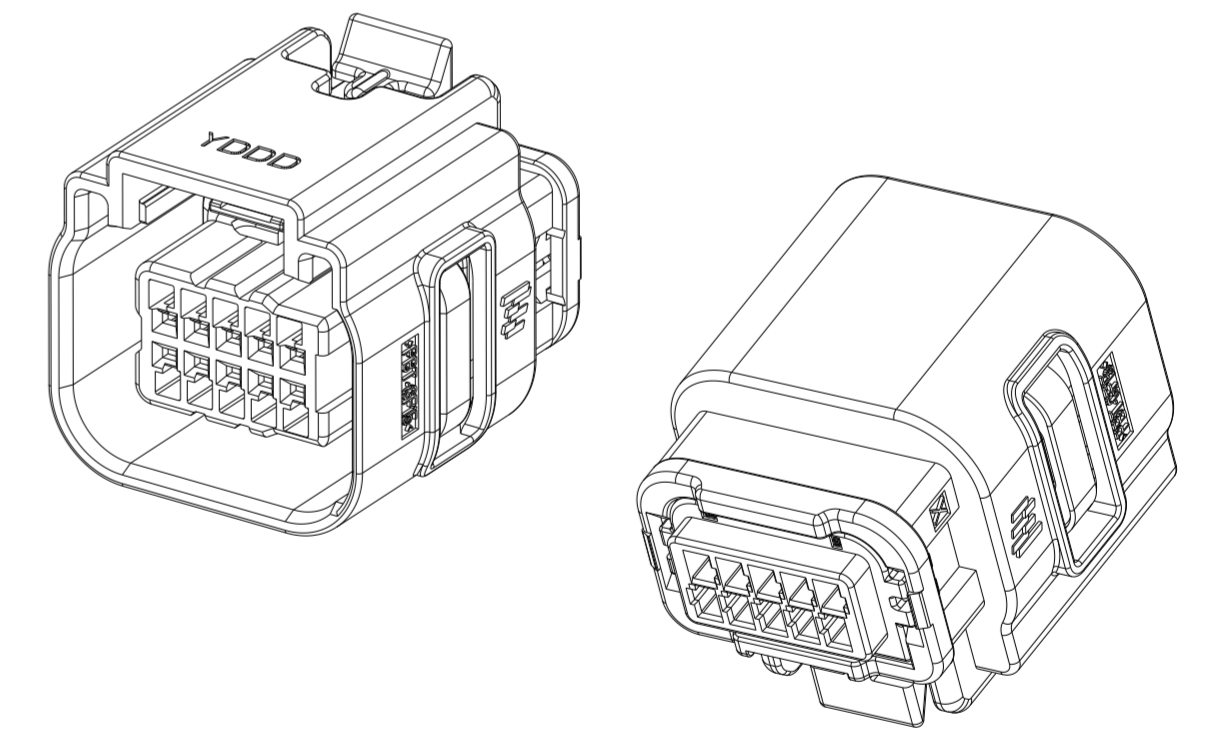
ISL PRE-LATCHED POSITION



ISL CLOSED POSITION

- <sup>1</sup> PLUG HOUSING: PBT, 15% GLASS-FILLED, COLOR: SEE TABLE  
 PERIPHERAL SEAL: SILICONE, GREEN  
 MAT SEAL: SILICONE, BLUE  
 SEAL COVER: NYLON 6/6, 15% GLASS-FILLED, BLACK  
 ISL: NYLON 6/6, 35% GLASS-FILLED, NATURAL  
 CPA: PBT, 33% GLASS-FILLED, GRAY

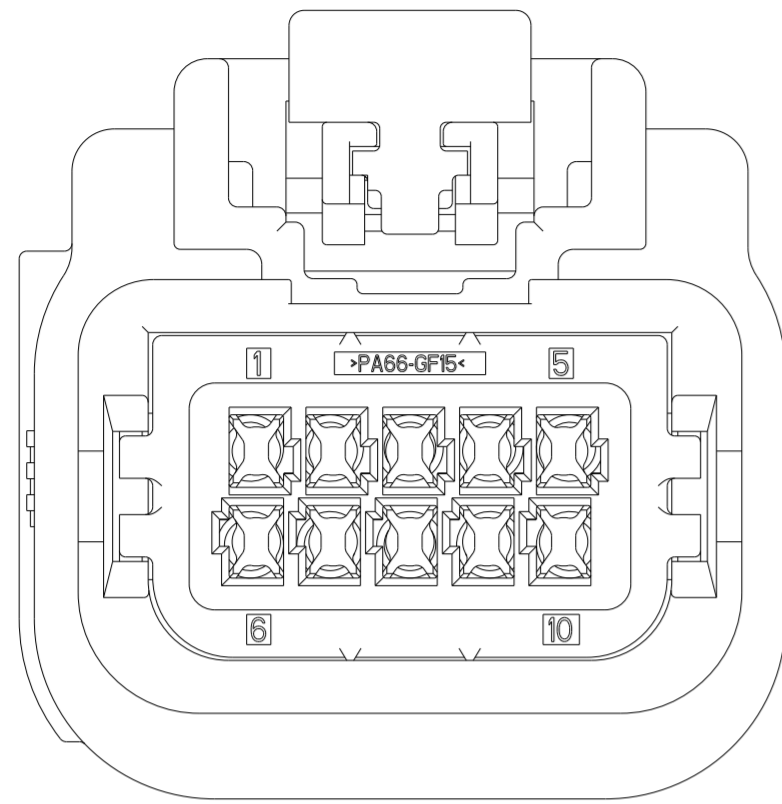
- <sup>2</sup> OPTIONAL CPA & ISL SHOWN IN PRE-LATCHED, AS SHIPPED, POSITION.
- <sup>3</sup> OPTIONAL CPA & ISL SHOWN IN CLOSED POSITION.
- 4. PLUG ASSEMBLY MATES WITH USCAR INTERFACE DRAWING 064-S-010-2-Z01.
- 5. PLUG ASSEMBLY WILL ACCEPT THE FOLLOWING TERMINAL PART NUMBERS: 2035170-1, 2035170-2
- <sup>6</sup> PART NUMBERS MARKED AS PRELIMINARY HAVE NOT BEEN RELEASED PER FORMAL QUALIFICATIONS.
- 7. REFERENCE INSTRUCTION SHEET 408-10350 FOR ASSEMBLY INSTRUCTIONS.



SEE SHEET 2 FOR PART NUMBERS AND CIRCUIT CONFIGURATIONS

THIS DRAWING IS A CONTROLLED DOCUMENT.		DWN S. VINAY 25MAR2009	TE Connectivity	
DIMENSIONS: mm		CHK MD BROWN 14APR2009		
TOLERANCES UNLESS OTHERWISE SPECIFIED:		APVD MD BROWN 14APR2009	NAME	
0 PLC ±	1 PLC ±0.3	PRODUCT SPEC	PLUG ASSEMBLY, 10 POSITION (2x5), SEALED, GENERATION Y	
2 PLC ±0.1	3 PLC ±	APPLICATION SPEC	SIZE	RESTRICTED TO
4 PLC ±	ANGLES ±1°	FINISH	A200779	C-2098269
MATERIAL		WEIGHT	DRAWING NO	
		CUSTOMER DRAWING	SCALE 2:1	SHEET 1 OF 2

REVISIONS					
P	LTR	DESCRIPTION	DATE	DWN	APVD
-	-	SEE SHEET 1	-	-	-



VIEW ID-ID  
SCALE 4:1

<table border="1"> <tr><td>1</td><td>2</td><td>3</td><td>4</td><td>5</td></tr> <tr><td>X</td><td>X</td><td></td><td></td><td></td></tr> <tr><td>6</td><td>7</td><td>8</td><td>9</td><td>10</td></tr> <tr><td>X</td><td>X</td><td>X</td><td>X</td><td>X</td></tr> </table>	1	2	3	4	5	X	X				6	7	8	9	10	X	X	X	X	X	C16	<table border="1"> <tr><td>1</td><td>2</td><td>3</td><td>4</td><td>5</td></tr> <tr><td></td><td></td><td></td><td>X</td><td></td></tr> <tr><td>6</td><td>7</td><td>8</td><td>9</td><td>10</td></tr> <tr><td>X</td><td>X</td><td>X</td><td>X</td><td></td></tr> </table>	1	2	3	4	5				X		6	7	8	9	10	X	X	X	X		C15	<table border="1"> <tr><td>1</td><td>2</td><td>3</td><td>4</td><td>5</td></tr> <tr><td>X</td><td>X</td><td></td><td></td><td>X</td></tr> <tr><td>6</td><td>7</td><td>8</td><td>9</td><td>10</td></tr> <tr><td>X</td><td>X</td><td>X</td><td>X</td><td>X</td></tr> </table>	1	2	3	4	5	X	X			X	6	7	8	9	10	X	X	X	X	X	C17
1	2	3	4	5																																																													
X	X																																																																
6	7	8	9	10																																																													
X	X	X	X	X																																																													
1	2	3	4	5																																																													
			X																																																														
6	7	8	9	10																																																													
X	X	X	X																																																														
1	2	3	4	5																																																													
X	X			X																																																													
6	7	8	9	10																																																													
X	X	X	X	X																																																													
<table border="1"> <tr><td>1</td><td>2</td><td>3</td><td>4</td><td>5</td></tr> <tr><td></td><td></td><td></td><td></td><td></td></tr> <tr><td>6</td><td>7</td><td>8</td><td>9</td><td>10</td></tr> <tr><td></td><td>X</td><td></td><td>X</td><td></td></tr> </table>	1	2	3	4	5						6	7	8	9	10		X		X		C14	<table border="1"> <tr><td>1</td><td>2</td><td>3</td><td>4</td><td>5</td></tr> <tr><td>X</td><td>X</td><td>X</td><td>X</td><td>X</td></tr> <tr><td>6</td><td>7</td><td>8</td><td>9</td><td>10</td></tr> <tr><td>X</td><td></td><td></td><td>X</td><td>X</td></tr> </table>	1	2	3	4	5	X	X	X	X	X	6	7	8	9	10	X			X	X	C13																						
1	2	3	4	5																																																													
6	7	8	9	10																																																													
	X		X																																																														
1	2	3	4	5																																																													
X	X	X	X	X																																																													
6	7	8	9	10																																																													
X			X	X																																																													
<table border="1"> <tr><td>1</td><td>2</td><td>3</td><td>4</td><td>5</td></tr> <tr><td>X</td><td>X</td><td>X</td><td>X</td><td>X</td></tr> <tr><td>6</td><td>7</td><td>8</td><td>9</td><td>10</td></tr> <tr><td></td><td></td><td></td><td>X</td><td>X</td></tr> </table>	1	2	3	4	5	X	X	X	X	X	6	7	8	9	10				X	X	C12	<table border="1"> <tr><td>1</td><td>2</td><td>3</td><td>4</td><td>5</td></tr> <tr><td></td><td></td><td></td><td></td><td></td></tr> <tr><td>6</td><td>7</td><td>8</td><td>9</td><td>10</td></tr> <tr><td>X</td><td>X</td><td>X</td><td></td><td></td></tr> </table>	1	2	3	4	5						6	7	8	9	10	X	X	X			C11																						
1	2	3	4	5																																																													
X	X	X	X	X																																																													
6	7	8	9	10																																																													
			X	X																																																													
1	2	3	4	5																																																													
6	7	8	9	10																																																													
X	X	X																																																															
<table border="1"> <tr><td>1</td><td>2</td><td>3</td><td>4</td><td>5</td></tr> <tr><td></td><td></td><td></td><td></td><td></td></tr> <tr><td>6</td><td>7</td><td>8</td><td>9</td><td>10</td></tr> <tr><td></td><td></td><td>X</td><td></td><td></td></tr> </table>	1	2	3	4	5						6	7	8	9	10			X			C10	<table border="1"> <tr><td>1</td><td>2</td><td>3</td><td>4</td><td>5</td></tr> <tr><td>X</td><td>X</td><td></td><td></td><td></td></tr> <tr><td>6</td><td>7</td><td>8</td><td>9</td><td>10</td></tr> <tr><td>X</td><td>X</td><td></td><td></td><td>X</td></tr> </table>	1	2	3	4	5	X	X				6	7	8	9	10	X	X			X	C9																						
1	2	3	4	5																																																													
6	7	8	9	10																																																													
		X																																																															
1	2	3	4	5																																																													
X	X																																																																
6	7	8	9	10																																																													
X	X			X																																																													
<table border="1"> <tr><td>1</td><td>2</td><td>3</td><td>4</td><td>5</td></tr> <tr><td>X</td><td>X</td><td>X</td><td></td><td></td></tr> <tr><td>6</td><td>7</td><td>8</td><td>9</td><td>10</td></tr> <tr><td></td><td>X</td><td>X</td><td></td><td></td></tr> </table>	1	2	3	4	5	X	X	X			6	7	8	9	10		X	X			C8	<table border="1"> <tr><td>1</td><td>2</td><td>3</td><td>4</td><td>5</td></tr> <tr><td></td><td></td><td></td><td></td><td></td></tr> <tr><td>6</td><td>7</td><td>8</td><td>9</td><td>10</td></tr> <tr><td>X</td><td>X</td><td></td><td></td><td>X</td></tr> </table>	1	2	3	4	5						6	7	8	9	10	X	X			X	C7																						
1	2	3	4	5																																																													
X	X	X																																																															
6	7	8	9	10																																																													
	X	X																																																															
1	2	3	4	5																																																													
6	7	8	9	10																																																													
X	X			X																																																													
<table border="1"> <tr><td>1</td><td>2</td><td>3</td><td>4</td><td>5</td></tr> <tr><td></td><td></td><td></td><td></td><td></td></tr> <tr><td>6</td><td>7</td><td>8</td><td>9</td><td>10</td></tr> <tr><td></td><td></td><td>X</td><td></td><td>X</td></tr> </table>	1	2	3	4	5						6	7	8	9	10			X		X	C6	<table border="1"> <tr><td>1</td><td>2</td><td>3</td><td>4</td><td>5</td></tr> <tr><td></td><td></td><td></td><td></td><td></td></tr> <tr><td>6</td><td>7</td><td>8</td><td>9</td><td>10</td></tr> <tr><td></td><td></td><td></td><td></td><td>X</td></tr> </table>	1	2	3	4	5						6	7	8	9	10					X	C5																						
1	2	3	4	5																																																													
6	7	8	9	10																																																													
		X		X																																																													
1	2	3	4	5																																																													
6	7	8	9	10																																																													
				X																																																													
<table border="1"> <tr><td>1</td><td>2</td><td>3</td><td>4</td><td>5</td></tr> <tr><td></td><td></td><td>X</td><td>X</td><td></td></tr> <tr><td>6</td><td>7</td><td>8</td><td>9</td><td>10</td></tr> <tr><td></td><td></td><td>X</td><td>X</td><td>X</td></tr> </table>	1	2	3	4	5			X	X		6	7	8	9	10			X	X	X	C4	<table border="1"> <tr><td>1</td><td>2</td><td>3</td><td>4</td><td>5</td></tr> <tr><td>X</td><td></td><td></td><td></td><td></td></tr> <tr><td>6</td><td>7</td><td>8</td><td>9</td><td>10</td></tr> <tr><td></td><td></td><td></td><td></td><td></td></tr> </table>	1	2	3	4	5	X					6	7	8	9	10						C3																						
1	2	3	4	5																																																													
		X	X																																																														
6	7	8	9	10																																																													
		X	X	X																																																													
1	2	3	4	5																																																													
X																																																																	
6	7	8	9	10																																																													
<table border="1"> <tr><td>1</td><td>2</td><td>3</td><td>4</td><td>5</td></tr> <tr><td>X</td><td>X</td><td></td><td>X</td><td></td></tr> <tr><td>6</td><td>7</td><td>8</td><td>9</td><td>10</td></tr> <tr><td></td><td></td><td></td><td></td><td></td></tr> </table>	1	2	3	4	5	X	X		X		6	7	8	9	10						C2	<table border="1"> <tr><td>1</td><td>2</td><td>3</td><td>4</td><td>5</td></tr> <tr><td></td><td></td><td></td><td></td><td></td></tr> <tr><td>6</td><td>7</td><td>8</td><td>9</td><td>10</td></tr> <tr><td></td><td></td><td></td><td></td><td></td></tr> </table>	1	2	3	4	5						6	7	8	9	10						C1																						
1	2	3	4	5																																																													
X	X		X																																																														
6	7	8	9	10																																																													
1	2	3	4	5																																																													
6	7	8	9	10																																																													

**CIRCUIT CONFIGURATION**  
 [X] INDICATES UNAVAILABLE (BLOCKED) CIRCUIT

GRAY	RELEASED	C16	YES	B	5-2098269-4
GRAY	RELEASED	C17	YES	B	5-2098269-3
BLACK	RELEASED	C17	YES	A	5-2098269-2
BLACK	RELEASED	C16	YES	A	5-2098269-1
GRAY	RELEASED	C15	YES	B	5-2098269-0
GRAY	RELEASED	C14	YES	B	4-2098269-9
GRAY	RELEASED	C8	YES	B	4-2098269-8
GREEN	RELEASED	C13	YES	D	4-2098269-7
BLACK	RELEASED	C12	YES	A	4-2098269-6
BLACK	RELEASED	C11	YES	A	4-2098269-5
BLACK	RELEASED	C10	YES	A	4-2098269-4
BLACK	RELEASED	C9	YES	A	4-2098269-3
BLACK	RELEASED	C8	YES	A	4-2098269-2
BLACK	RELEASED	C7	YES	A	4-2098269-1
BROWN	RELEASED	C6	YES	C	4-2098269-0
GRAY	RELEASED	C6	YES	B	3-2098269-9
BLACK	RELEASED	C5	YES	A	3-2098269-8
BLACK	RELEASED	C4	YES	A	3-2098269-7
BLACK	RELEASED	C3	YES	A	3-2098269-6
BLACK	RELEASED	C2	YES	A	3-2098269-5
GREEN	PRELIMINARY	C1	YES	D	3-2098269-4
BROWN	RELEASED	C1	YES	C	3-2098269-3
GRAY	RELEASED	C1	YES	B	3-2098269-2
BLACK	RELEASED	C1	YES	A	3-2098269-1
BLACK	RELEASED	C2	NO	A	2098269-5
GREEN	RELEASED	C1	NO	D	2098269-4
BROWN	PRELIMINARY	C1	NO	C	2098269-3
GRAY	PRELIMINARY	C1	NO	B	2098269-2
BLACK	RELEASED	C1	NO	A	2098269-1

THIS DRAWING IS A CONTROLLED DOCUMENT.		DWN S. VINAY 25MAR2009	 TE Connectivity	PLUG ASSEMBLY, 10 POSITION (2x5), SEALED, GENERATION Y
DIMENSIONS: mm		CHK MD BROWN 14APR2009		
TOLERANCES UNLESS OTHERWISE SPECIFIED: 0 PLC ±0.3 1 PLC ±0.1 2 PLC ±0.1 3 PLC ±0.1 4 PLC ±0.1 ANGLES ±1° FINISH		APVD MD BROWN 14APR2009		
MATERIAL		PRODUCT SPEC		
		APPLICATION SPEC	NAME	
		WEIGHT	SIZE	CAGE CODE
		CUSTOMER DRAWING	A200779	DRAWING NO
		SCALE	2:1	RESTRICTED TO
		SHEET	2 OF 2	REV
				B14

6.6	6.6	D
6.6	8.9	C
8.9	6.6	B
8.9	8.9	A
DIM B	DIM A	KEYING OPTION

## X-ON Electronics

Largest Supplier of Electrical and Electronic Components

*Click to view similar products for [Automotive Connectors](#) category:*

*Click to view products by [TE Connectivity](#) manufacturer:*

Other Similar products are found below :

[003-018-000](#) [60993906-B](#) [M902-2131](#) [M902-2161](#) [M902-2344](#) [72.330.1035.1](#) [73.353.4028.0](#) [F166900](#) [F358300-B](#) [F407400](#) [776880-1](#)  
[827153-1](#) [8N1515-32-24P](#) [9-1326729-8](#) [925474-1](#) [928905-1](#) [964562-4](#) [968782-1](#) [98891-1012](#) [12004475-L](#) [12020308](#) [12041318-B](#)  
[12052466](#) [12064869](#) [12015909](#) [1-21030-1](#) [12041254](#) [12041318](#) [12047946-B](#) [12110546-B](#) [12131792](#) [12084688](#) [12092346](#) [HD34-18-14PT](#)  
[HD46-24-23SN-059](#) [HDB36-24-16PN-059](#) [HDP26-24-9SE-L015](#) [12185280](#) [12185550](#) [12336-12](#) [12191172-B](#) [12S](#) [13545280](#) [13577943](#)  
[13681974](#) [13737722-B](#) [13830674](#) [13832576](#) [13849772](#) [13542772](#)