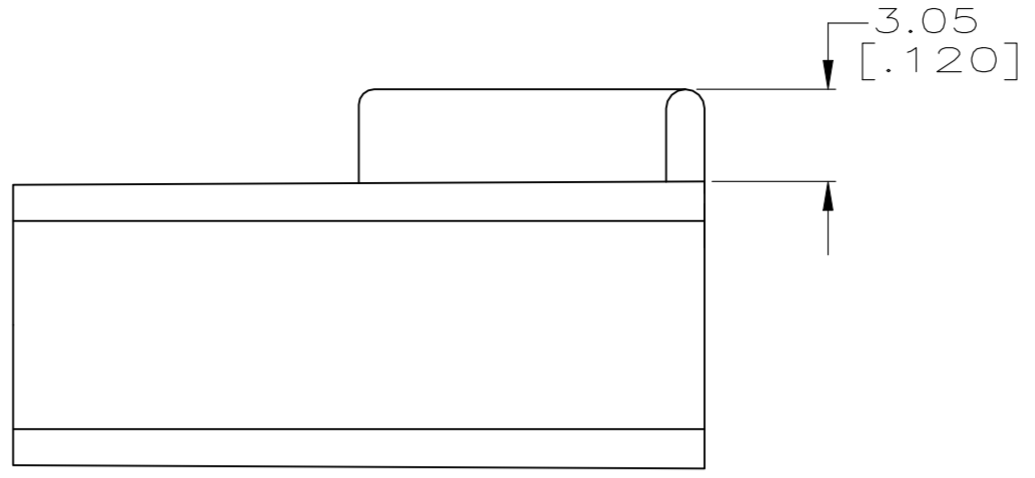
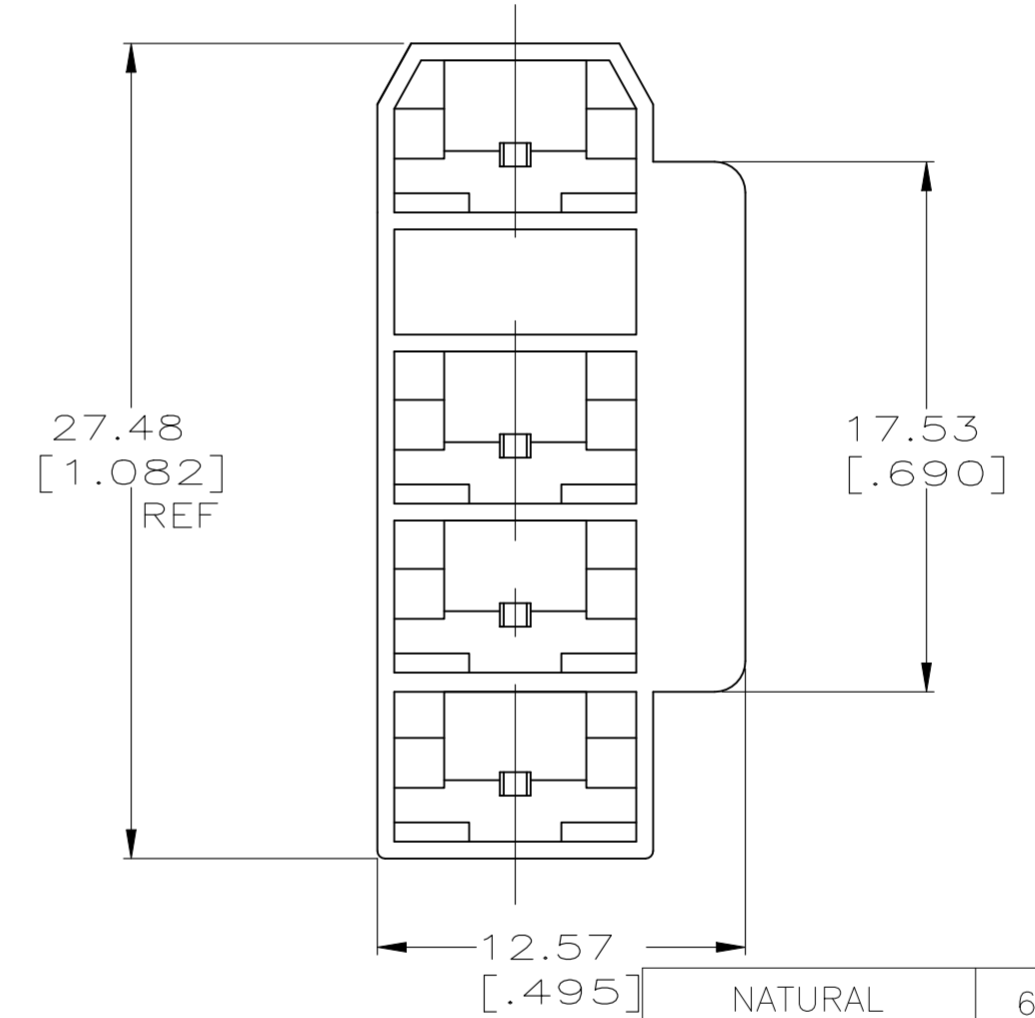
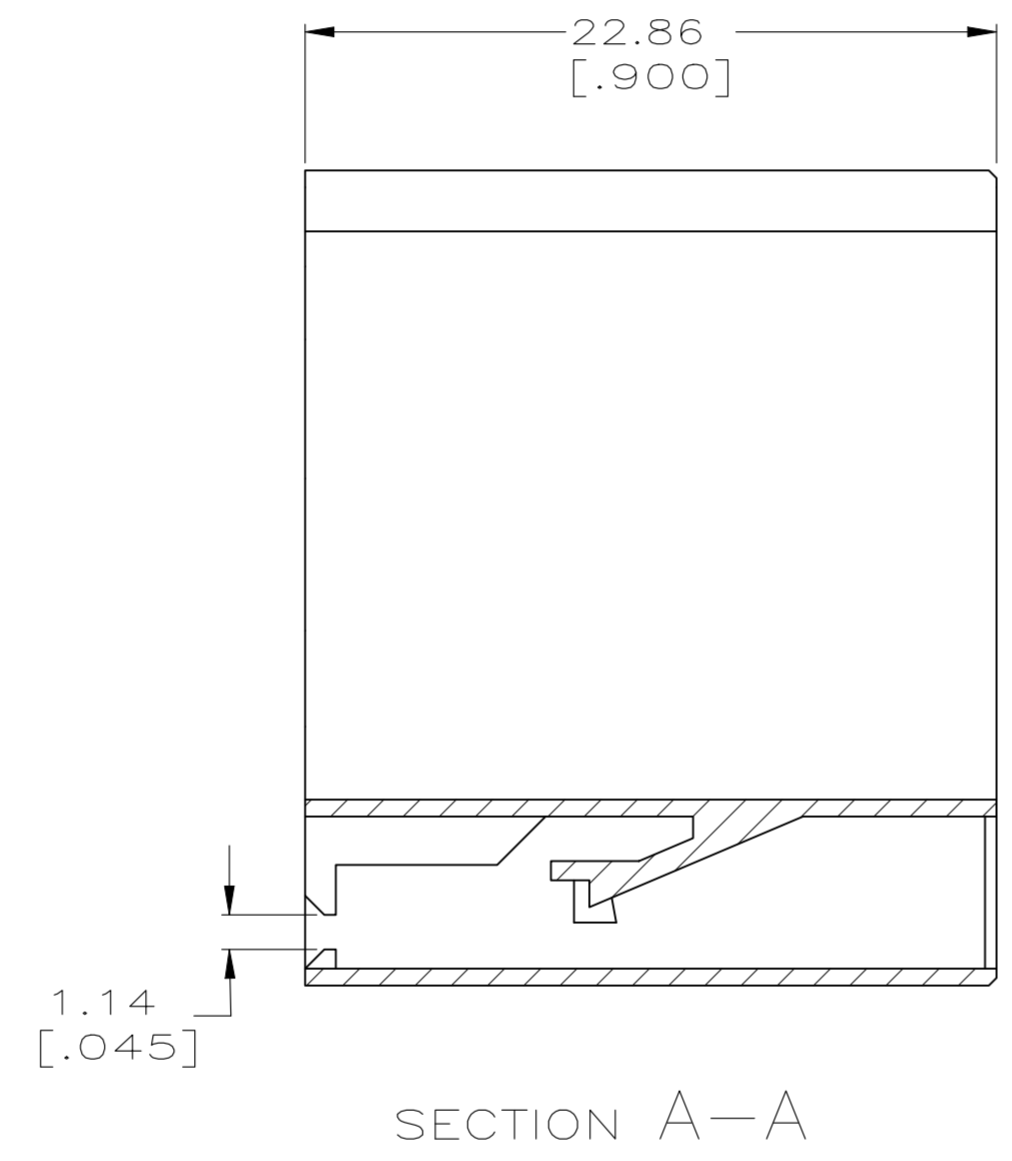
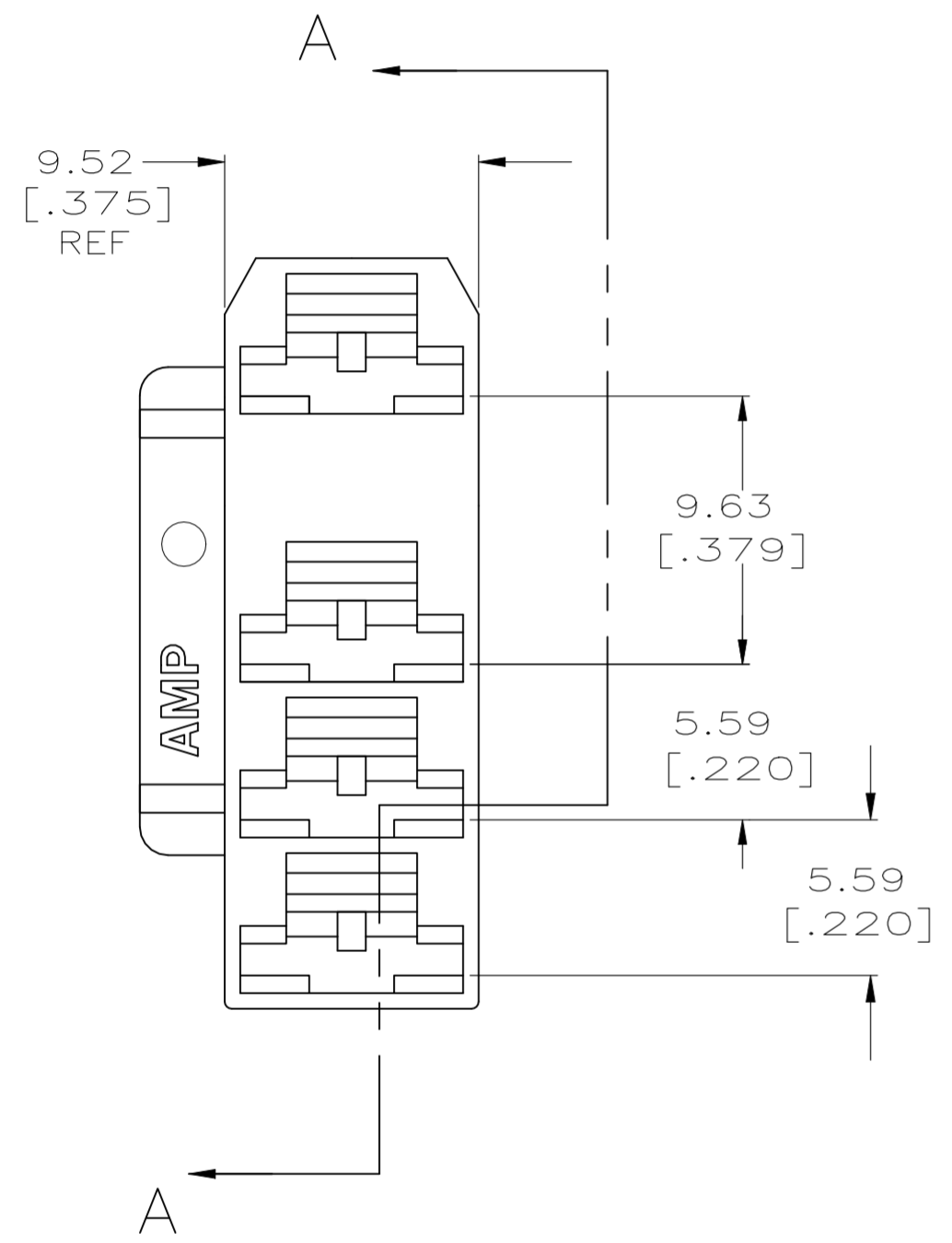


REVISIONS					
P	LTR	DESCRIPTION	DATE	DWN	APVD
K19		REVISED PER ECR-21-120874	24NOV2021	AA	DS



- 1 FOR USE WITH TE CONNECTIVITY 250 SERIES LOW INSERTION RECEPTACLES.
- 2 PRELIMINARY - NOT FOR PRODUCTION.
- 3 GLOW WIRE APPROVED, CONTACT TE CONNECTIVITY FOR ENGN SPECIFICATIONS, ALL WALL THICKNESSES ARE BETWEEN 0.4MM AND 3.0MM.
- 4 OBSOLETE PARTS
- 5 PARTS MAY APPEAR MEDIUM COLORED TO LIGHT COLORED AND EXHIBIT A MARBLING EFFECT.



SUPERSEDED BY 1-520987-4

COLOR	MATERIAL	PART NUMBER
NATURAL	66 NYLON V0 GWT	1-520987-6
BLACK	66 NYLON V0 GWT	1-520987-4
NATURAL	66 NYLON, V0	520987-7
NATURAL	V2	520987-6
NATURAL	66 NYLON, V0	520987-5
BLACK	66 NYLON, V0	520987-4
GRAY	6/6 NYLON, V2	520987-3
NATURAL	6/6 NYLON	520987-2
BLACK	6/6 NYLON	520987-1

THIS DRAWING IS A CONTROLLED DOCUMENT.		DWN M.S. FEHER 22SEP2003	TE Connectivity Ltd.	
DIMENSIONS: mm [INCHES]		CHK J.R. RUTH 22SEP2003		
TOLERANCES UNLESS OTHERWISE SPECIFIED:		APVD P. DESANTIS 22SEP2003	NAME HOUSING, RECEPTACLE, FASTON, 6.35 [.250] SERIES	
0 PLC ± - 1 PLC ± - 2 PLC ± - 3 PLC ± 0.25 [.010] 4 PLC ± - ANGLES ± -		PRODUCT SPEC -	SIZE A2	
MATERIAL SEE TABLE		APPLICATION SPEC -	CAGE CODE 00779	DRAWING NO C-520987
FINISH SEE TABLE		WEIGHT	RESTRICTED TO	REV K19
CUSTOMER DRAWING			SCALE 4:1	SHEET 1 OF 1

## X-ON Electronics

Largest Supplier of Electrical and Electronic Components

*Click to view similar products for [Terminals](#) category:*

*Click to view products by [TE Connectivity](#) manufacturer:*

Other Similar products are found below :

[00-054007-01074-6](#) [00-054007-70206-1](#) [00-054007-70210-8](#) [00-054007-70217-7](#) [00-054007-70226-9](#) [00-054007-70228-3](#) [00-054007-70248-1](#) [00-054007-70256-6](#) [00-054007-70301-3](#) [00-054007-70316-7](#) [0-0320562-0](#) [00-054007-49560-4](#) [00-054007-70209-2](#) [00-054007-70225-2](#) [00-054007-70227-6](#) [00-054007-70231-3](#) [00-054007-70241-2](#) [00-054007-70242-9](#) [00-054007-70244-3](#) [00-054007-70246-7](#) [00-054007-70263-4](#) [00-054007-70288-7](#) [00-054007-70290-0](#) [00-054007-70300-6](#) [00-054007-70304-4](#) [01-2065-1-0216](#) [01-2900-1-04412](#) [00581P0075](#) [600TS-10](#) [60205-1](#) [604200-1](#) [605601-1](#) [60598-1-CUT-TAPE](#) [61314-6-C](#) [61810-3](#) [61-S](#) [61-SN](#) [626-0194](#) [62-NBM-A](#) [62-SN](#) [62-SP](#) [63-S](#) [640179-1](#) [M55155/059I03](#) [M55155/079C01](#) [M55155/099H02](#) [M55155/109H01](#) [M55155/109H02](#) [M55155/12XH05](#) [M55155/16XH02](#)