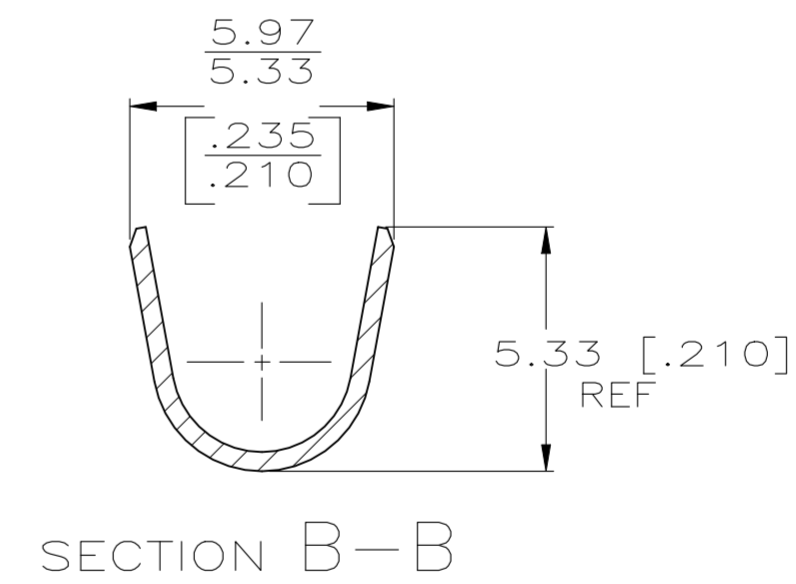
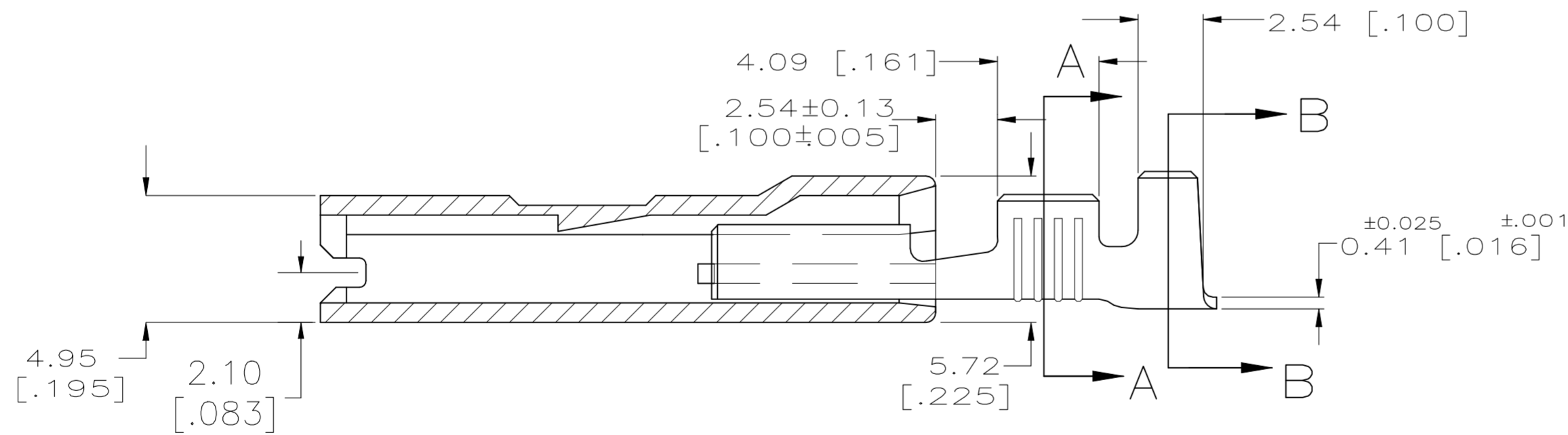
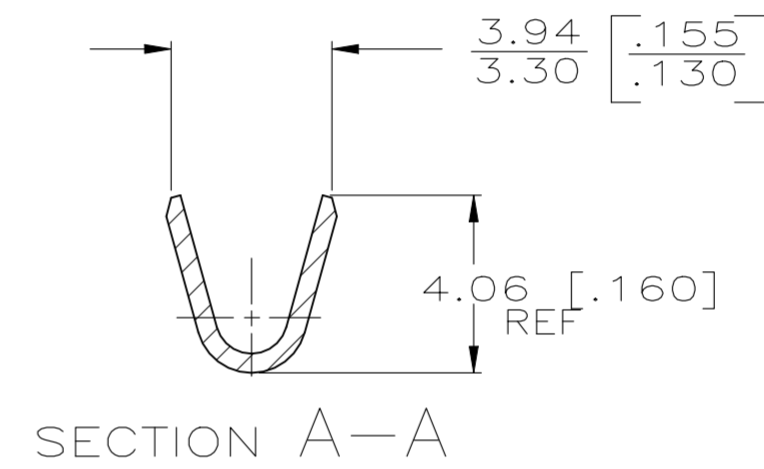
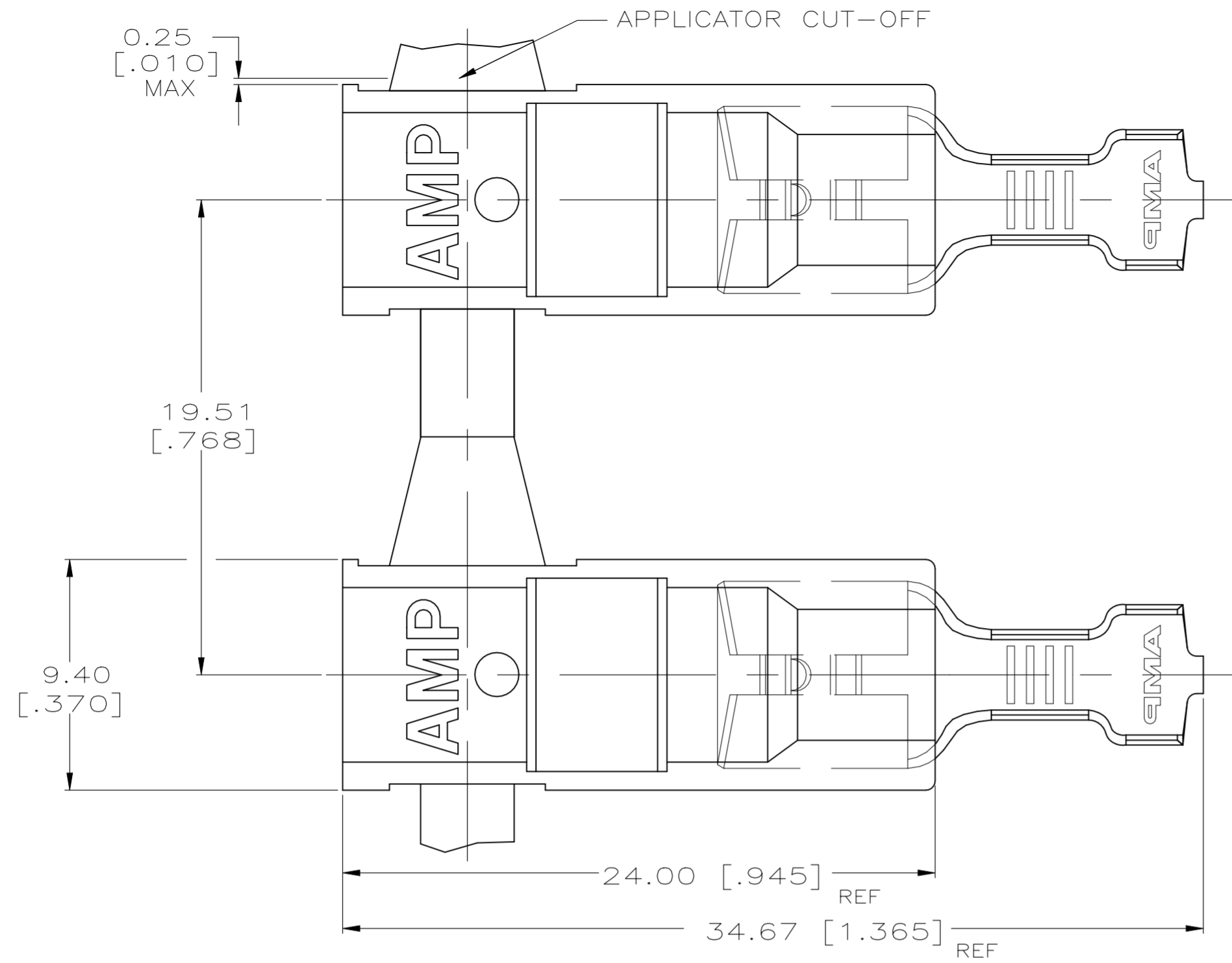


REVISIONS					
P	LTR	DESCRIPTION	DATE	DWN	APVD
K3		REVISED PER ECR-22-160893	14DEC2022	DB	BW



1 PREMIER FASTON TERMINALS, BASE P/N 42219 ARE USED FOR -1. LOW-INSERTION FASTONS, BASE P/N 63306 ARE USE FOR -2.

2 MATERIAL: HOUSING - 4/6 NYLON (150°C)
TERMINAL - SEE TABLE

3 FINISH: HOUSING - COLOR, BLACK
TERMINAL - SEE TABLE

OBSOLETE	BULK	#4M HD BRASS	TIN	2.79-4.32 [.110-.170] DIA	0.8-2.0 mm ² [18-14]	0.813 [.032]	5-521011-2
OBSOLETE	BULK	#2 HD STEEL	NICKEL				5-521011-1
	STANDARD	BRASS	TIN				521011-2
	STANDARD	#2 HD STEEL	NICKEL				521011-1
	PACKAGING	TERMINAL MATERIAL	TERMINAL FINISH	INSULATION RANGE	WIRE SIZE	MATING TAB THK ±0.025 [±.001]	PART NO.

THIS DRAWING IS A CONTROLLED DOCUMENT.		DWN	JR RUTH	12/7/92
DIMENSIONS:		CHK	MS FEHER	12/7/92
mm [INCHES]	TOLERANCES UNLESS OTHERWISE SPECIFIED:	APVD	V KARABCEVSKY	12/7/92
0 PLC ± -	1 PLC ± -	PRODUCT SPEC	108-1285	
2 PLC ± -	3 PLC ± 0.25 [.010]	APPLICATION SPEC	114-2124	
4 PLC ± -	ANGLES ± -	WEIGHT	0.000000	
MATERIAL	FINISH	CUSTOMER DRAWING		

ASSEMBLY, ULTRA-POD, RECEPTACLE, 6.35 [.250] SERIES			
SIZE	CAGE CODE	DRAWING NO	RESTRICTED TO
A2	00779	C=521011	-
SCALE	SHEET	REV	
5:1	1 of 1	K3	

X-ON Electronics

Largest Supplier of Electrical and Electronic Components

Click to view similar products for [Terminals category](#):

Click to view products by [TE Connectivity manufacturer](#):

Other Similar products are found below :

[00-054007-01074-6](#) [00-054007-70206-1](#) [00-054007-70210-8](#) [00-054007-70217-7](#) [00-054007-70228-3](#) [00-054007-70256-6](#) [00-054007-70316-7](#) [00-054007-49560-4](#) [00-054007-70209-2](#) [00-054007-70231-3](#) [00-054007-70241-2](#) [00-054007-70242-9](#) [00-054007-70246-7](#) [00-054007-70263-4](#) [00-054007-70288-7](#) [00-054007-70290-0](#) [00-054007-70300-6](#) [00-054007-70304-4](#) [01-2900-1-04412](#) [00581P0075](#) [600TS-10](#) [604200-1](#) [605601-1](#) [60598-1-CUT-TAPE](#) [60617-1-C](#) [61314-6-C](#) [61810-3](#) [62149-1](#) [626-0194](#) [62-NBM-A](#) [62-SP](#) [63-S](#) [M55155/059I03](#)
[M55155/079C01](#) [M55155/099B03](#) [M55155/099H02](#) [M55155/109H01](#) [M55155/12XH05](#) [M55155/16XH02](#) [M55155/29-5S](#) [M55155/29XJ08](#)
[M55155/30-6S](#) [M55155/30-9S](#) [M55155/30XI09](#) [M6-14RSX](#) [696683-1](#) [696861-1](#) [696999-1](#) [M86700006](#) [D18-110B-C](#)