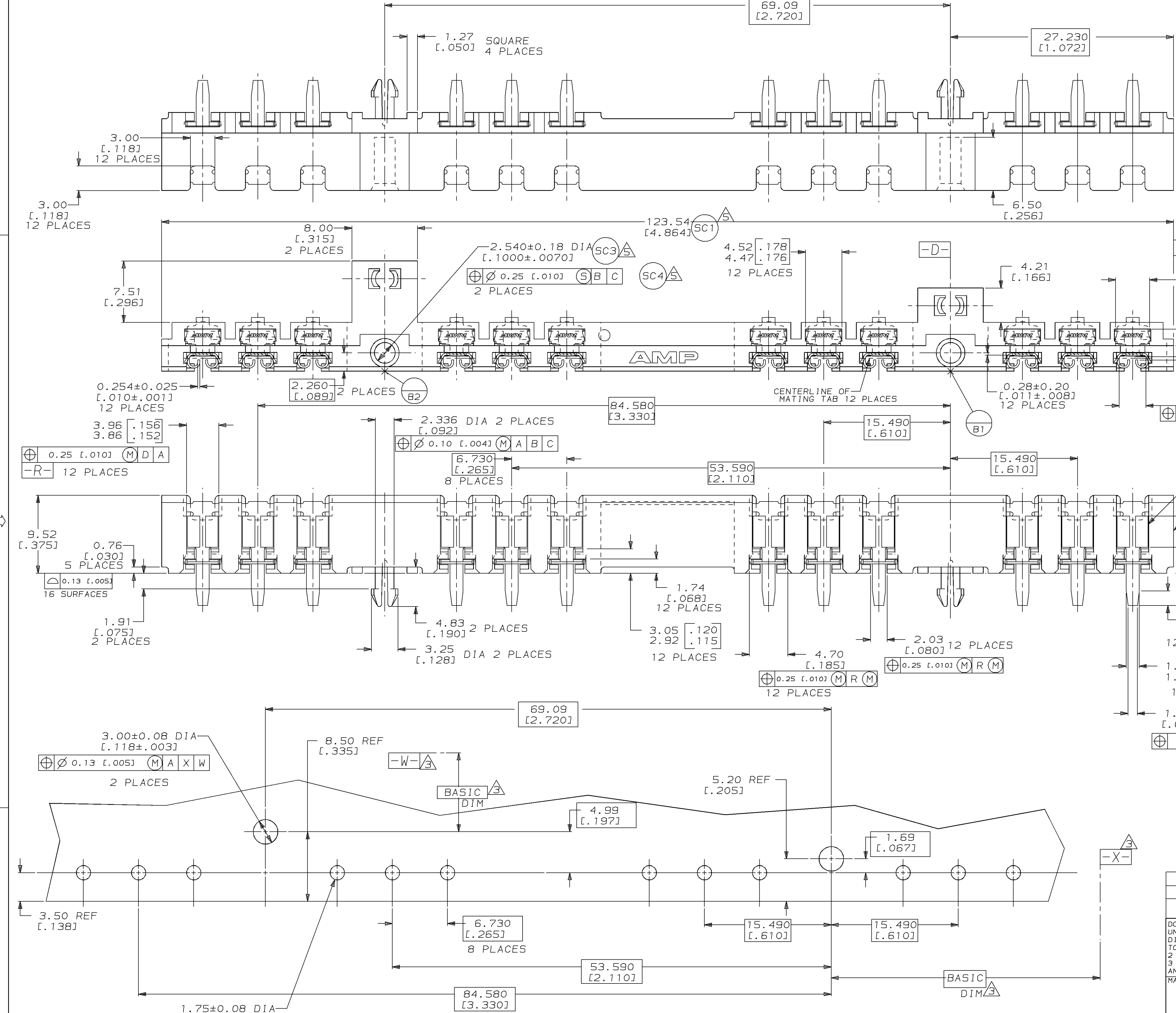
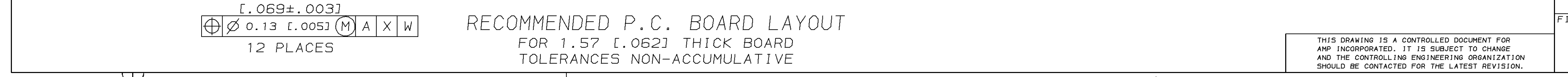
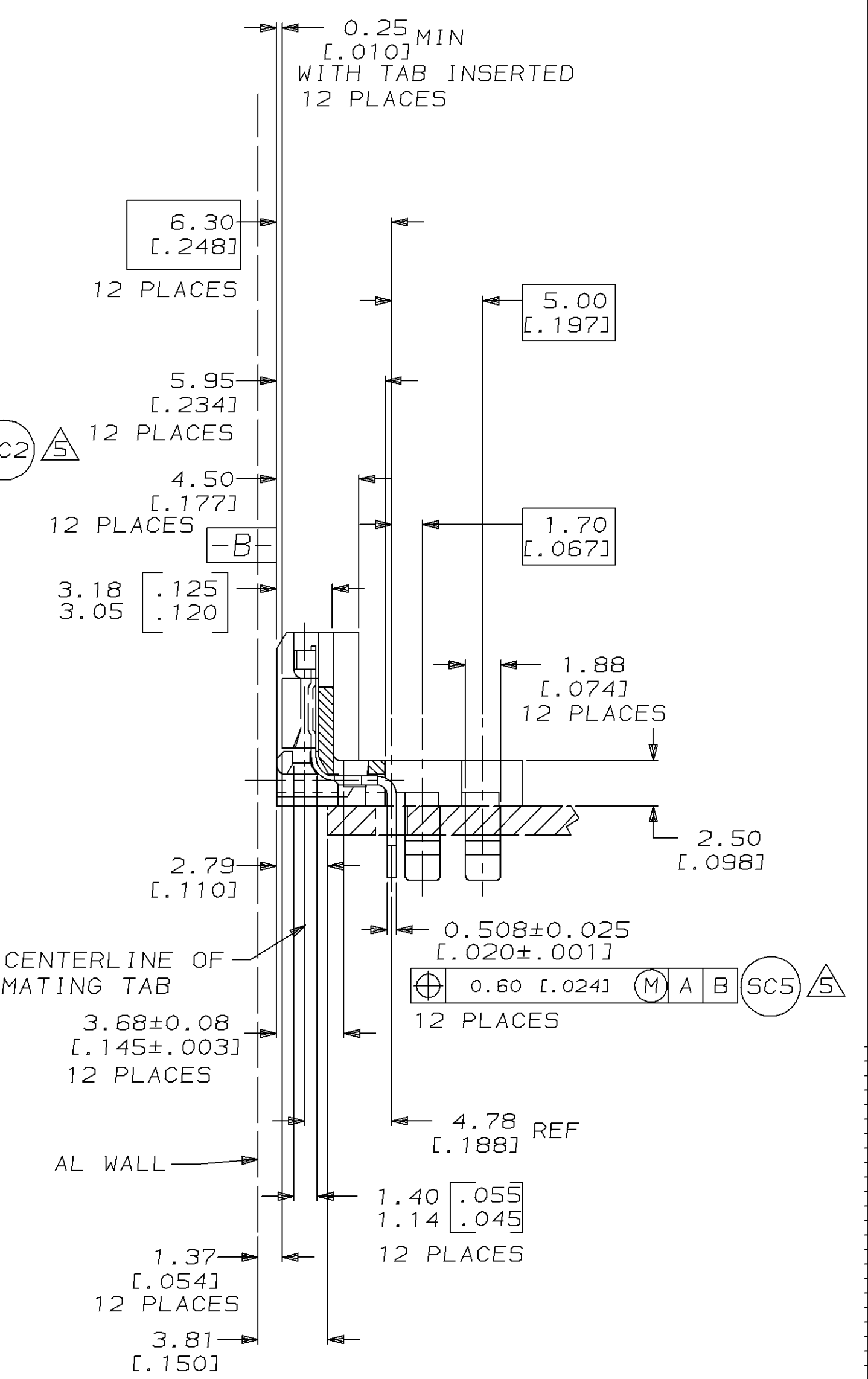


LOC	DIST	P	F	ZONE	LTR	REVISIONS	DATE	APPD
AF	50				J	REVISED PER 0710-0491-95	02NOV95	RG/NN



- 1 0.00508 [.00200] MIN TIN IN FUNCTIONAL PLATE AREA, 0.00254 [.000100] MIN TIN ON REMAINDER, OVER 0.00254 [.000100] MIN COPPER UNDERPLATE.
- 2 PRODUCT COMPLIES WITH AMP SOLDERABILITY SPEC 109-11-5 WHEN PLATED AND 109-11-1 AFTER TWO YEARS OF SHELF LIFE.
- 3 DATUMS AND BASIC DIMENSIONS TO BE DETERMINED BY CUSTOMER.
- 4 FITS A 0.508±0.025 [.020±.001] THICK TAB. 12 PLACES
- 5 CUSTOMER SIGNIFICANT CHARACTERISTIC.



1	HO4 PRE-MILLED BRASS	12	TAB RECEPTACLE	2	521018-1
BLACK	LIQUID CRYSTAL POLYMER	1	HEADER HOUSING	1	
FINISH	MATERIAL	QUANTITY	DESCRIPTION	ITEM NO	PART NO
DO NOT SCALE PRINT. UNLESS SPECIFIED DIMENSIONS IN mm [INCHES] TOLERANCES ON:					
1 [1] DEC ± 0.25 [0.010]					
2 [2] PLC DEC ± 0.25 [0.010]					
3 [3] PLC DEC ± 0.10 [0.004]					
ANGLES ± -					
MATERIAL	SEE TABLE	DR 1/18/93 MICHAEL S. FEHER	AMP Incorporated Harrisburg, PA 17105-3608		
FINISH	SEE TABLE	CHK 1/20/93 JEFF R. RUTH	NAME ASSEMBLY, HEADER, RECEPTACLE, TAB, 2.79 [.110], P.C. BOARD, 12 POSITION, MAG-MATE™		
		APPD 1/20/93 NELSON E. NEFF	SIZE	CAGE CODE	DRAWING NO
		APPD 1/20/93 TERRY L. SHUTTER	D	00779	521018
		PRODUCT SPEC	SCALE	4:1	SHEET 1 OF 1
		APPLICATION SPEC			
		WEIGHT			

THIS DRAWING IS A CONTROLLED DOCUMENT FOR AMP INCORPORATED. IT IS SUBJECT TO CHANGE AND THE CONTROLLING ENGINEERING ORGANIZATION SHOULD BE CONTACTED FOR THE LATEST REVISION.

X-ON Electronics

Largest Supplier of Electrical and Electronic Components

Click to view similar products for [Terminals](#) category:

Click to view products by [TE Connectivity](#) manufacturer:

Other Similar products are found below :

[HT-13-10](#) [71M-250-32-NB](#) [01-2065-1-0216](#) [00581P0075](#) [M10-10RX](#) [M10BCK](#) [60205-1](#) [604200-1](#) [60598-1-CUT-TAPE](#) [60617-1-C](#) [60873-1](#) [M14-516R/SK](#) [M14-6RSX](#) [M18-10FLX](#) [M18-8FBX](#) [M18-8R/LX](#) [M18BCK](#) [61314-6-C](#) [61-S](#) [61-SN-A](#) [62-NBM-A](#) [63-S](#) [640179-1](#) [640917-2-CUT-TAPE](#) [6501550002](#) [66107-2-C](#) [66107-4-C](#) [696683-1](#) [696834-1](#) [696861-1](#) [696931-1](#) [696999-1](#) [M8-516RK](#) [M86700006](#) [MA250DMFMX-A](#) [701-2007](#) [701-2307](#) [701-7761-03](#) [70F-110-32-PB](#) [718-N-A](#) [71M-187-20-NBL](#) [71M-250-32-NBL](#) [72F-187-20-NBL](#) [72M-250-32-NBL](#) [7310](#) [73F-250-32](#) [73F-250-32-NBL](#) [73F-250-32-NL](#) [F14-10C](#) [F-1M](#)