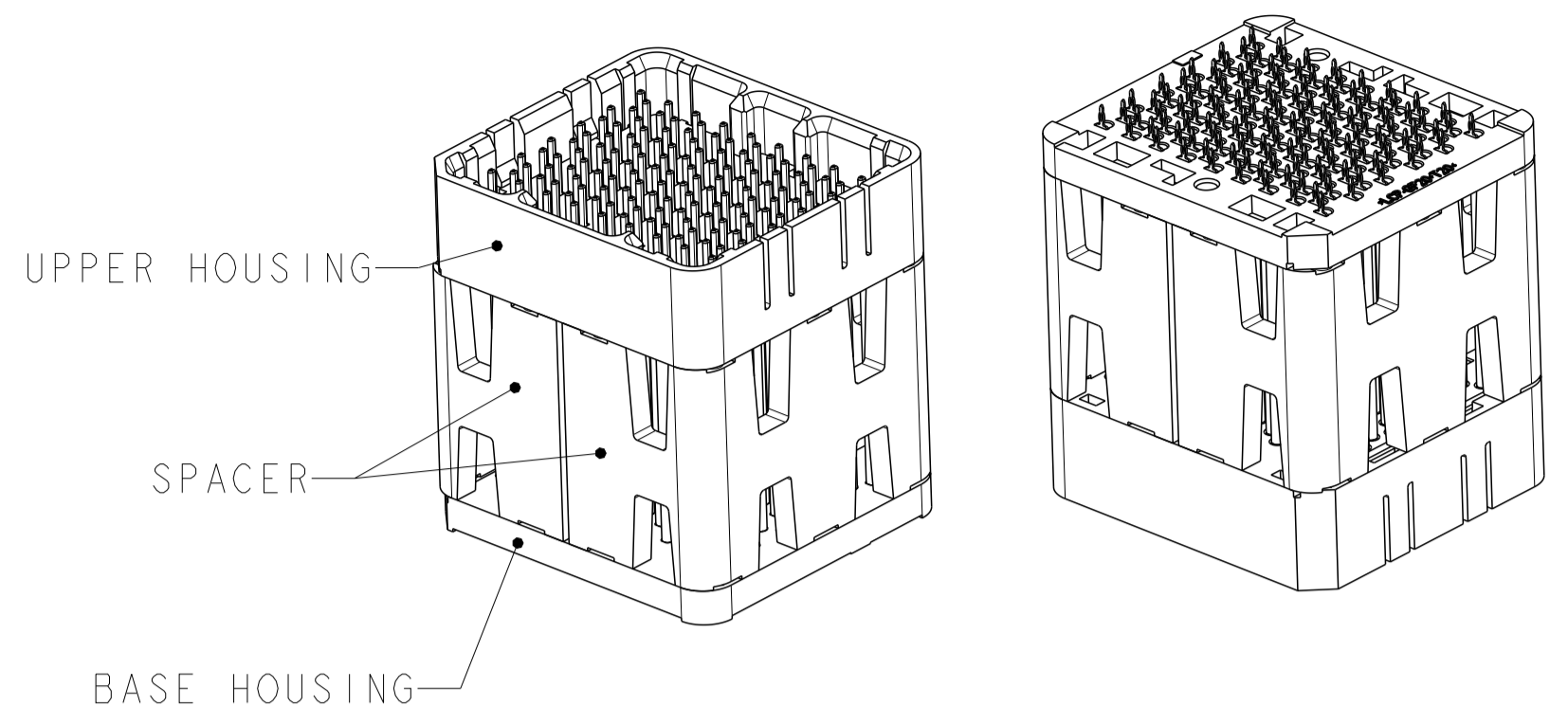
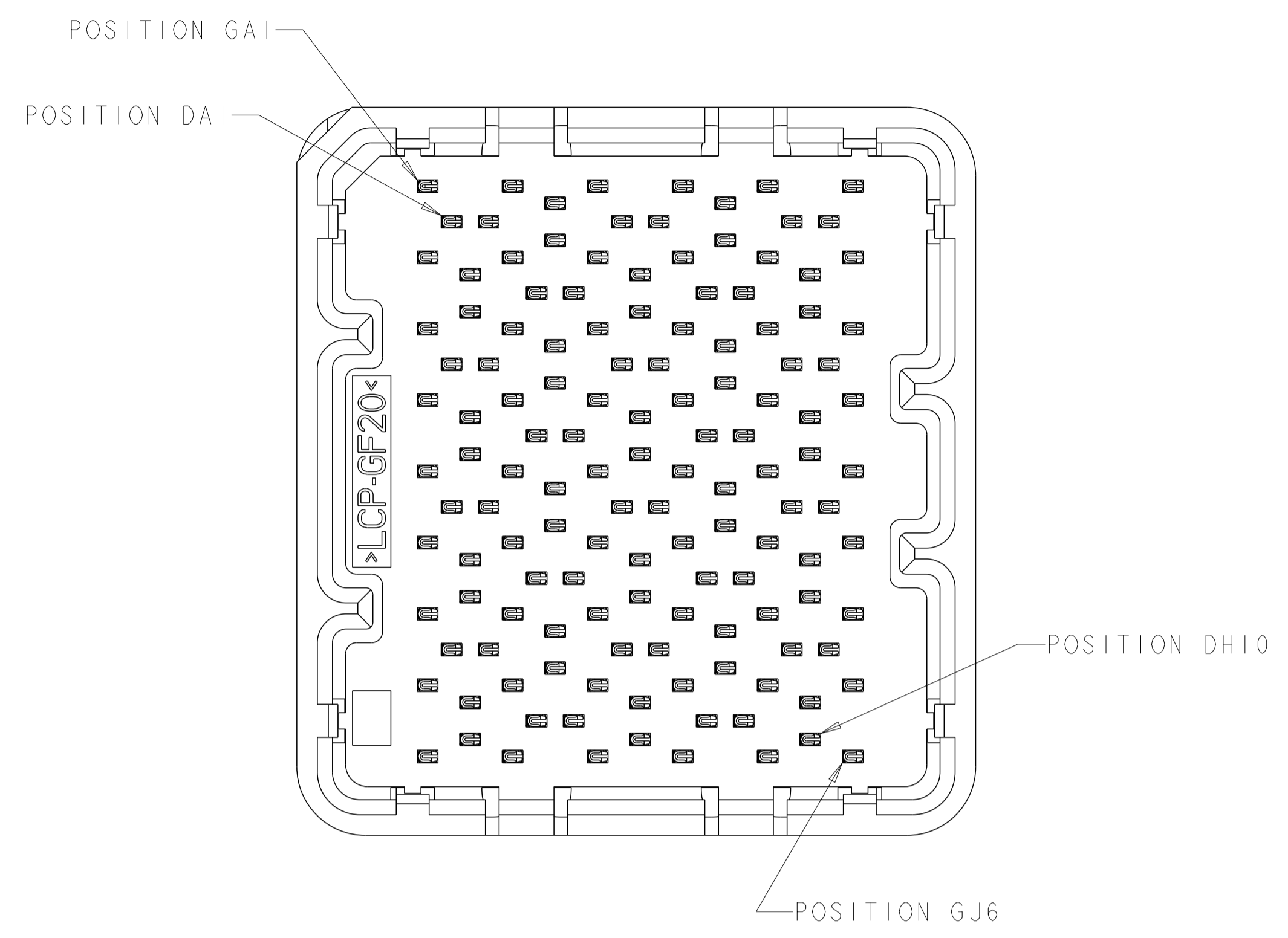
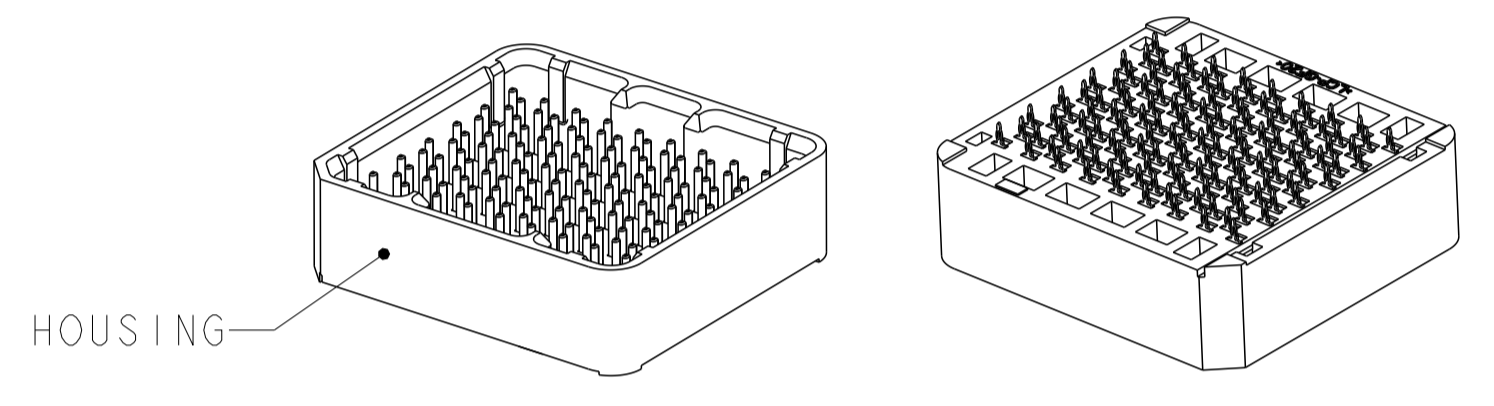


LOC	DIST	REVISIONS					
GP	00	P	LYR	DESCRIPTION	DATE	DWN	APVD
		A		REVISED PER ECO-13-006286	22APR2013	KH	MH

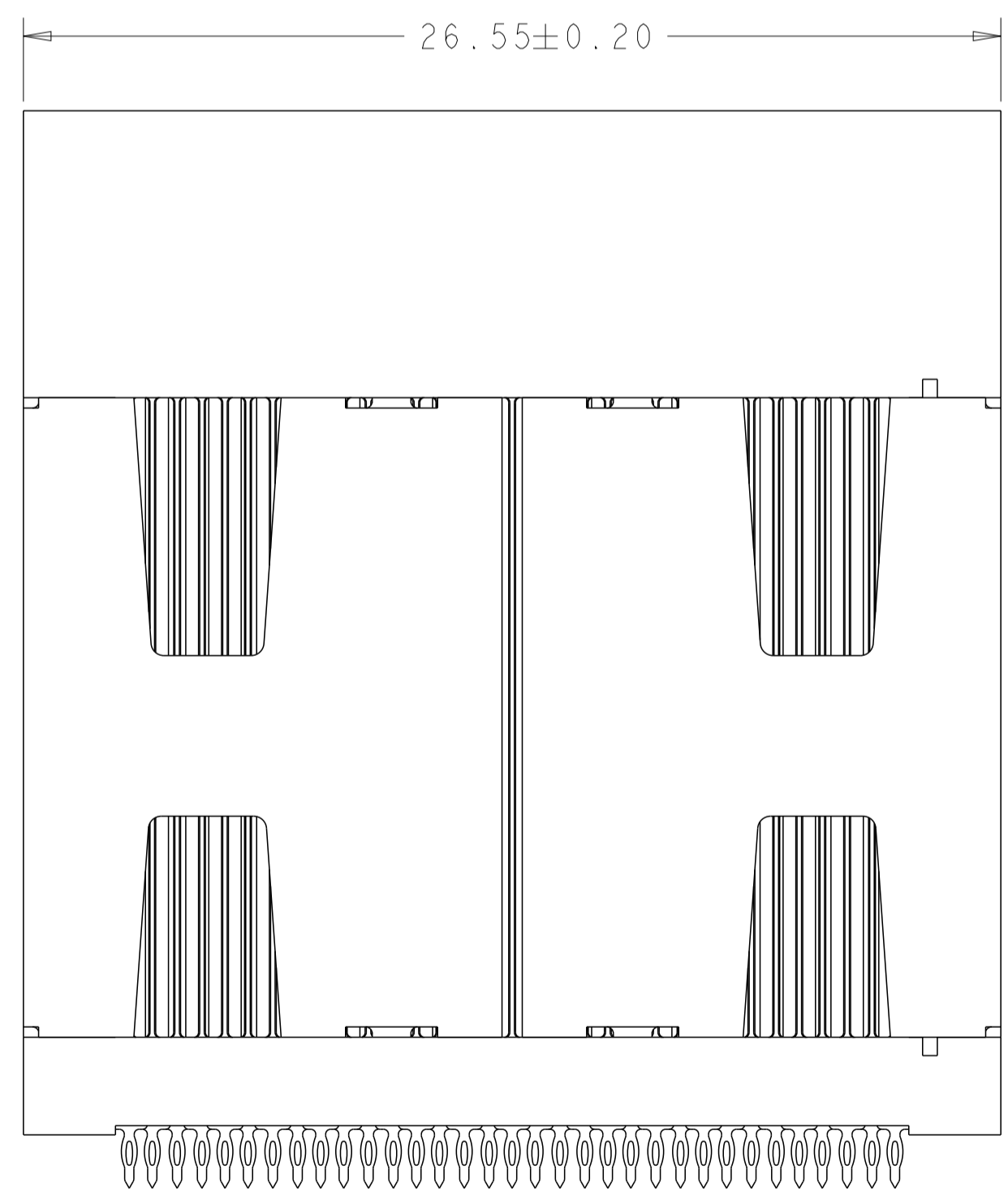
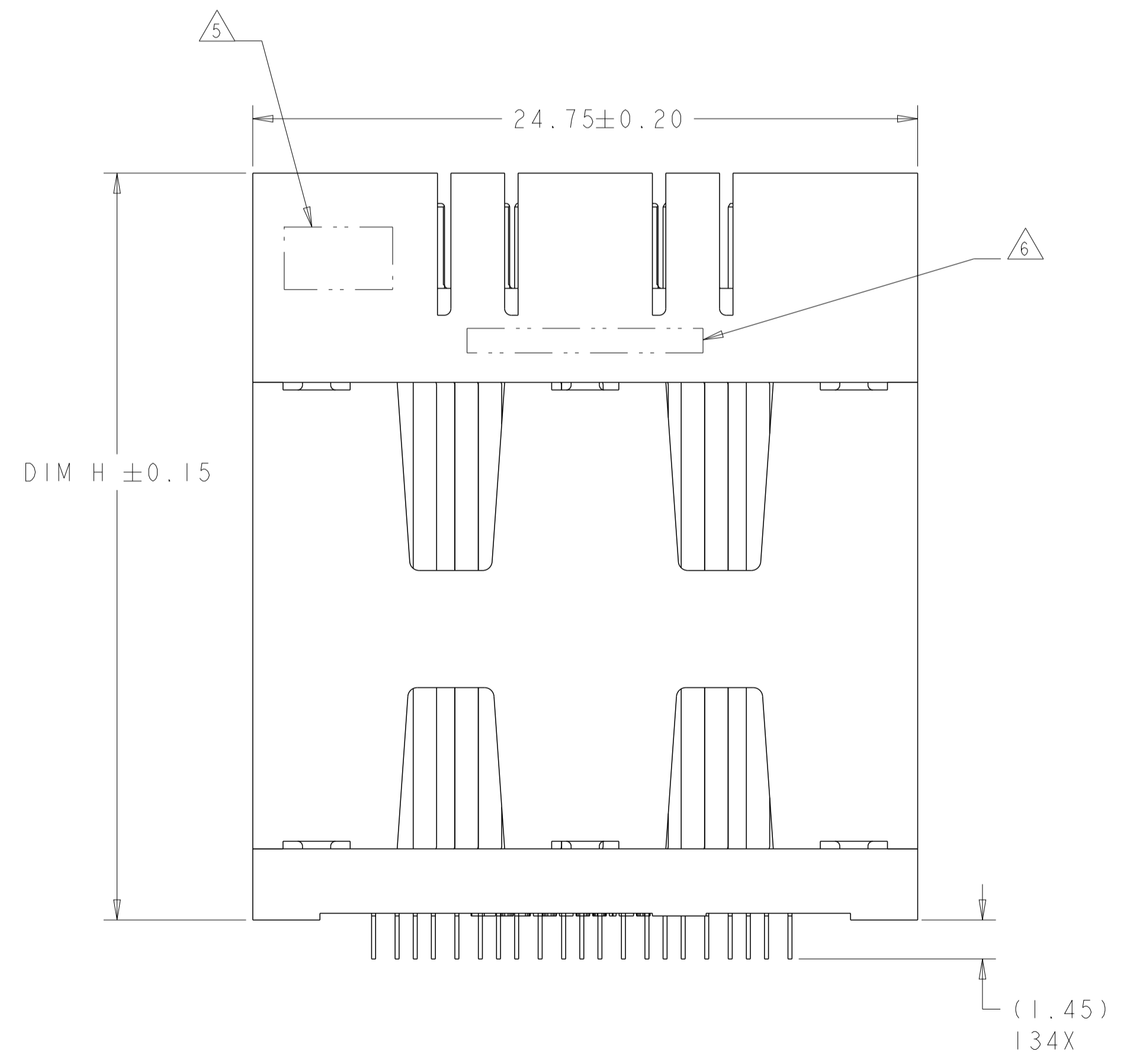


ISOMETRIC VIEWS  
 TYPICAL CONFIGURATION FOR 14mm THRU 42mm  
 28mm SHOWN  
 SCALE 2:1



ISOMETRIC VIEWS  
 TYPICAL CONFIGURATION FOR 8mm THRU 13mm  
 8mm SHOWN  
 SCALE 2:1

- 1 MATERIAL:  
 BASE HOUSING, UPPER HOUSING, ORGANIZER,  
 AND SPACER: THERMOPLASTIC, FLAMMABILITY  
 RATING UL94-V0  
 CONTACT: COPPER ALLOY
- 2. CONFORMS TO THE REQUIREMENTS OF TE PRODUCT  
 SPECIFICATION, 108-2375; BASED ON TELCORDIA  
 GR-1217-CORE FOR SYSTEM QUALITY LEVEL III,  
 APPLICATIONS IN CONTROLLED ENVIRONMENTS  
 (CENTRAL OFFICE).  
 SEE TE PRODUCT SPECIFICATION 108-2375 FOR  
 TEST SEQUENCES.
- 3 ROWS GA THRU GJ (SHOWN DARKENED) ARE TYPICALLY  
 USED AS GROUNDS.
- 4 SPECIFIED POSITIONAL TOLERANCE DEFINES HOLE TO  
 HOLE LOCATION WITHIN HOLE PATTERN. POSITIONAL  
 TOLERANCE OF HOLE PATTERN TO FIDUCIAL MARKS  
 OR PCB DATUMS SHALL BE DEFINED BY CUSTOMER.
- 5 AREA RESERVED FOR TE CONNECTIVITY LOGO.
- 6 AREA RESERVED FOR PART NUMBER (X-XXXXXX-X)  
 AND DATE CODE (YYWW).
- 7 USE CENTERLINES INDICATED ON PCB HOLE PATTERN  
 TO ESTABLISH ALIGNMENT BETWEEN HEADER AND  
 RECEPTACLE BOARDS.
- 8 PLATED THROUGH HOLE REQUIREMENTS:  
 HOLE SIZE PRIOR TO PLATING =  $\varnothing 0.420 \pm 0.013$   
 COPPER PLATING THICKNESS =  $0.038 \pm 0.013$   
 CALCULATED FINISHED HOLE SIZE =  $\varnothing 0.344 \pm 0.039$   
 THESE DIMENSIONS APPLY TO THE TOP 1.25mm OF  
 THE PCB THICKNESS FROM THE CONNECTOR MOUNTING  
 SIDE.
- 9 CONTACT SALES FOR AVAILABILITY OF THIS STACK  
 HEIGHT.



**SIZE 1 HOUSING \***  
**40 DIFFERENTIAL PAIRS**  
**134 TOTAL SIGNAL CONTACTS**

\* SIZE 2 AND SIZE 3 ARE ALSO AVAILABLE


THIS DRAWING IS A CONTROLLED DOCUMENT.		DWN D. RINGLER 14FEB2009	TE Connectivity
DIMENSIONS: mm		CHK D. TROUT 14FEB2009	
TOLERANCES UNLESS OTHERWISE SPECIFIED: 0 PLC ± 1 PLC ± 2 PLC ±0.13 3 PLC ±0.013 4 PLC ± ANGLES ±1 FINISH		APVD J. FEEDER 14FEB2009	NAME HEATER ASSEMBLY 40/134 SIGNAL STRADA MESA MEZZANINE CONNECTOR
MATERIAL		PRODUCT SPEC 108-2375	SIZE A1
		APPLICATION SPEC 114-13249	CAGE CODE DRAWING NO 00779C=2110320
		WEIGHT	RESTRICTED TO
		Customer Drawing	SCALE 6:1 SHEET 1 OF 4 REV A

THIS DRAWING IS UNPUBLISHED. RELEASED FOR PUBLICATION 20  
 © COPYRIGHT 20 BY - ALL RIGHTS RESERVED.

LOC	DIST	REVISIONS			
P	LYN	DESCRIPTION	DATE	OWN	APVD
-	-	SEE SHEET 1	-	-	-

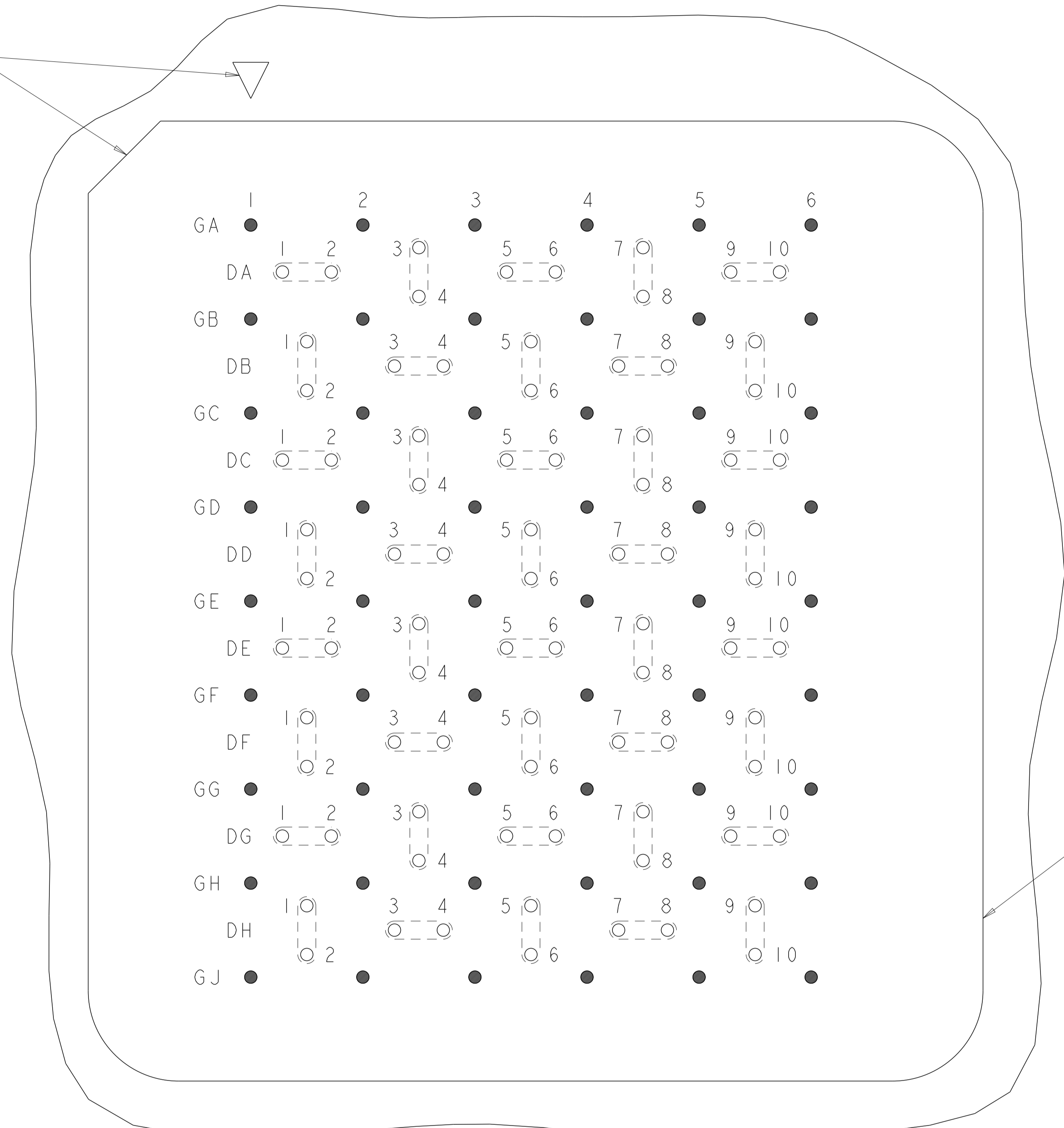
△	41.8	42mm	MATTE Sn	9-2110320-2
△	40.8	41mm	MATTE Sn	9-2110320-1
△	39.8	40mm	MATTE Sn	9-2110320-0
△	38.8	39mm	MATTE Sn	8-2110320-9
△	37.8	38mm	MATTE Sn	8-2110320-8
△	36.8	37mm	MATTE Sn	8-2110320-7
△	35.8	36mm	MATTE Sn	8-2110320-6
△	34.8	35mm	MATTE Sn	8-2110320-5
△	33.8	34mm	MATTE Sn	8-2110320-4
△	32.8	33mm	MATTE Sn	8-2110320-3
△	31.8	32mm	MATTE Sn	8-2110320-2
△	30.8	31mm	MATTE Sn	8-2110320-1
△	29.8	30mm	MATTE Sn	8-2110320-0
△	28.8	29mm	MATTE Sn	7-2110320-9
△	27.8	28mm	MATTE Sn	7-2110320-8
△	26.8	27mm	MATTE Sn	7-2110320-7
△	25.8	26mm	MATTE Sn	7-2110320-6
△	24.8	25mm	MATTE Sn	7-2110320-5
△	23.8	24mm	MATTE Sn	7-2110320-4
△	22.8	23mm	MATTE Sn	7-2110320-3
△	21.8	22mm	MATTE Sn	7-2110320-2
△	20.8	21mm	MATTE Sn	7-2110320-1
△	19.8	20mm	MATTE Sn	7-2110320-0
△	18.8	19mm	MATTE Sn	6-2110320-9
△	17.8	18mm	MATTE Sn	6-2110320-8
△	16.8	17mm	MATTE Sn	6-2110320-7
△	15.8	16mm	MATTE Sn	6-2110320-6
△	14.8	15mm	MATTE Sn	6-2110320-5
△	13.8	14mm	MATTE Sn	6-2110320-4
△	12.8	13mm	MATTE Sn	6-2110320-3
△	11.8	12mm	MATTE Sn	6-2110320-2
△	10.8	11mm	MATTE Sn	6-2110320-1
△	9.8	10mm	MATTE Sn	6-2110320-0
YES	8.8	9mm	MATTE Sn	5-2110320-9
YES	7.8	8mm	MATTE Sn	5-2110320-8
TOOLED	DIM H	STACK HEIGHT	CONTACT TAIL PLATING	PART NUMBER

△	41.8	42mm	Sn/Pb	4-2110320-2
△	40.8	41mm	Sn/Pb	4-2110320-1
△	39.8	40mm	Sn/Pb	4-2110320-0
△	38.8	39mm	Sn/Pb	3-2110320-9
△	37.8	38mm	Sn/Pb	3-2110320-8
△	36.8	37mm	Sn/Pb	3-2110320-7
△	35.8	36mm	Sn/Pb	3-2110320-6
△	34.8	35mm	Sn/Pb	3-2110320-5
△	33.8	34mm	Sn/Pb	3-2110320-4
△	32.8	33mm	Sn/Pb	3-2110320-3
△	31.8	32mm	Sn/Pb	3-2110320-2
△	30.8	31mm	Sn/Pb	3-2110320-1
△	29.8	30mm	Sn/Pb	3-2110320-0
△	28.8	29mm	Sn/Pb	2-2110320-9
△	27.8	28mm	Sn/Pb	2-2110320-8
△	26.8	27mm	Sn/Pb	2-2110320-7
△	25.8	26mm	Sn/Pb	2-2110320-6
△	24.8	25mm	Sn/Pb	2-2110320-5
△	23.8	24mm	Sn/Pb	2-2110320-4
△	22.8	23mm	Sn/Pb	2-2110320-3
△	21.8	22mm	Sn/Pb	2-2110320-2
△	20.8	21mm	Sn/Pb	2-2110320-1
△	19.8	20mm	Sn/Pb	2-2110320-0
△	18.8	19mm	Sn/Pb	1-2110320-9
△	17.8	18mm	Sn/Pb	1-2110320-8
△	16.8	17mm	Sn/Pb	1-2110320-7
△	15.8	16mm	Sn/Pb	1-2110320-6
△	14.8	15mm	Sn/Pb	1-2110320-5
△	13.8	14mm	Sn/Pb	1-2110320-4
△	12.8	13mm	Sn/Pb	1-2110320-3
△	11.8	12mm	Sn/Pb	1-2110320-2
△	10.8	11mm	Sn/Pb	1-2110320-1
△	9.8	10mm	Sn/Pb	1-2110320-0
YES	8.8	9mm	Sn/Pb	2110320-9
YES	7.8	8mm	Sn/Pb	2110320-8
TOOLED	DIM H	STACK HEIGHT	CONTACT TAIL PLATING	PART NUMBER

THIS DRAWING IS A CONTROLLED DOCUMENT.		OWN D. RINGLER 14FEB2009	 TE Connectivity
DIMENSIONS: mm		CHK D. TROUT 14FEB2009	
TOLERANCES UNLESS OTHERWISE SPECIFIED:		APVD J. FEEDER 14FEB2009	NAME HEADER ASSEMBLY 40/134 SIGNAL STRADA MESA MEZZANINE CONNECTOR
0 PLC ± 1 PLC ±0.13 2 PLC ±0.13 3 PLC ±0.13 4 PLC ± ANGLES ±1 FINISH		PRODUCT SPEC 108-2375 APPLICATION SPEC 114-13249	SIZE A1
MATERIAL		WEIGHT	CAGE CODE DRAWING NO 00779C=2110320
		Customer Drawing	RESTRICTED TO SCALE 6:1 SHEET 2 OF 4 REV A


LOC	DIST	REVISIONS					
		P	LTN	DESCRIPTION	DATE	DWN	APVD
GP	00	-	-	SEE SHEET 1	-	-	-

AI CORNER INDICATORS.

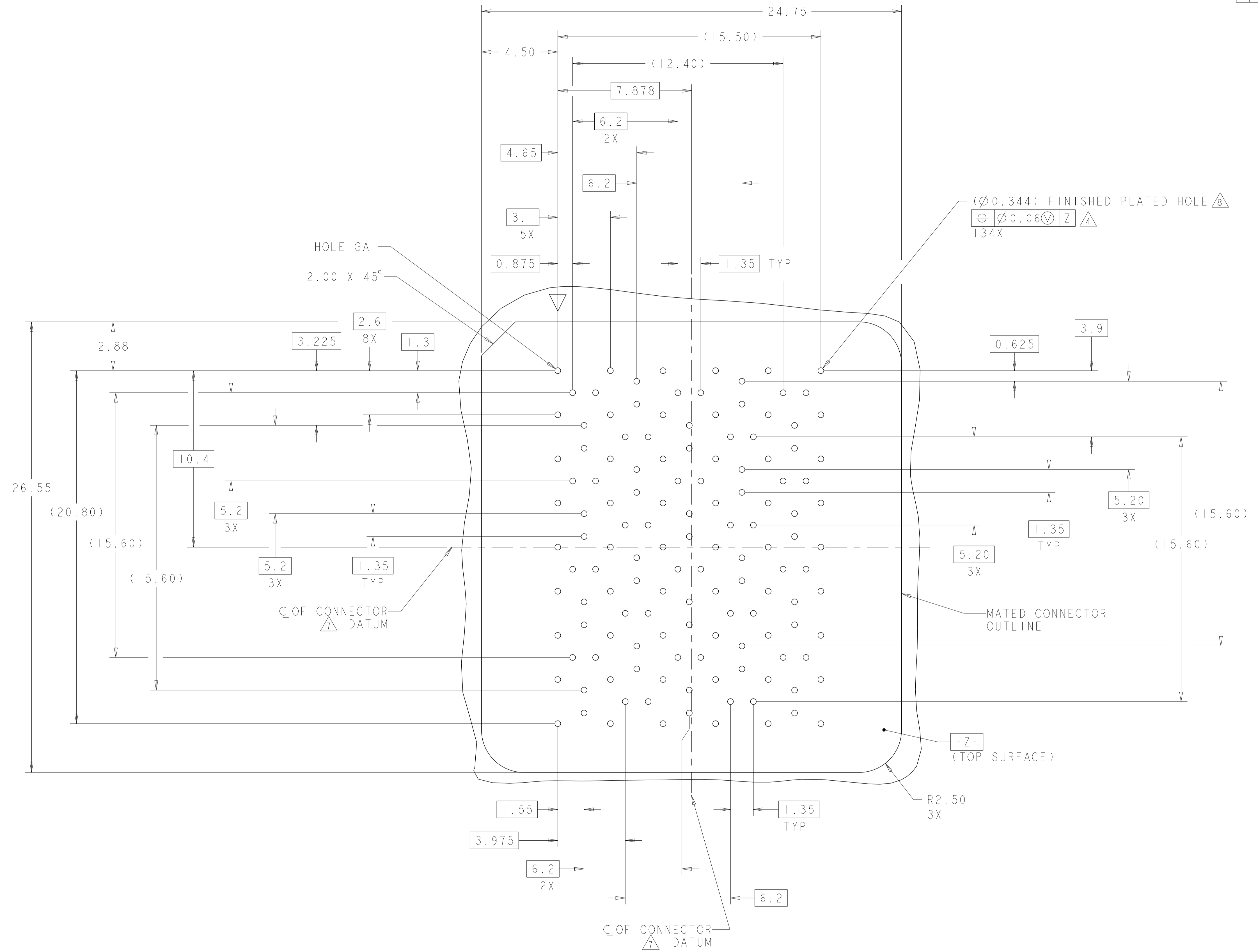


MATED CONNECTOR OUTLINE  
 SEE SHEET 4 FOR LOCATION TO HOLES

**PCB LAYOUT AND PIN IDENTIFICATION**   
 SHOWN FROM CONNECTOR SIDE  
 SCALE 12:1

THIS DRAWING IS A CONTROLLED DOCUMENT.		DWN D. RINGLER 14FEB2009	 TE Connectivity
DIMENSIONS: mm		CHK D. TROUT 14FEB2009	
TOLERANCES UNLESS OTHERWISE SPECIFIED:		APVD J. FEEDER 14FEB2009	NAME HEADER ASSEMBLY 40/134 SIGNAL STRADA MESA MEZZANINE CONNECTOR
0 PLC ± 2 PLC ±0.13 3 PLC ±0.013 4 PLC ± ANGLES ±1		PRODUCT SPEC 108-2375 APPLICATION SPEC 114-13249	SIZE A100779C=2110320
MATERIAL -		FINISH -	WEIGHT -
		Customer Drawing	RESTRICTED TO -
		SCALE 6:1	SHEET 3 OF 4 REV A

LOC		DIST		REVISIONS			
P	LYR	DESCRIPTION	DATE	OWN	APVD		
-	-	SEE SHEET 1	-	-	-		



**PCB HOLE PATTERN**  
 SHOWN FROM CONNECTOR SIDE  
 SCALE 8:1

THIS DRAWING IS A CONTROLLED DOCUMENT.		OWN: D. RINGLER 14FEB2009	TE Connectivity
DIMENSIONS: mm		CHK: D. TROUT 14FEB2009	
TOLERANCES UNLESS OTHERWISE SPECIFIED: 0 PLC ± 2 PLC ±0.13 3 PLC ±0.013 4 PLC ± ANGLES ±1		APVD: J. FEEDER 14FEB2009	NAME: HEADER ASSEMBLY
MATERIAL: -		PRODUCT SPEC: 108-2375	40/134 SIGNAL
FINISH: -		APPLICATION SPEC: 114-13249	STRADA MESA MEZZANINE CONNECTOR
WEIGHT: -		SIZE: A1	CAGE CODE: 00779
Customer Drawing		SCALE: 6:1	DRAWING NO: 2110320
		SHEET: 4	REV: A

## X-ON Electronics

Largest Supplier of Electrical and Electronic Components

*Click to view similar products for [High Speed/Modular Connectors](#) category:*

*Click to view products by [TE Connectivity](#) manufacturer:*

Other Similar products are found below :

[650827-1](#) [74040-1346](#) [1410191-1](#) [1410368-3](#) [1410964-2](#) [1410326-3](#) [1410367-3](#) [1410971-4](#) [1467833-1](#) [2000877-1](#) [2000878-1](#) [2041314-1](#)  
[2065387-1](#) [2187307-1](#) [163P](#) [1934290-1](#) [2000875-1](#) [2065917-1](#) [2102736-2](#) [FSR-40](#) [2169868-2](#) [22354-8](#) [437-5040-000](#) [5-1393565-0](#) [039-](#)  
[0246-000](#) [0740618502](#) [0761601016](#) [0784461022](#) [10123159-12ELF](#) [030-2415-003/100 PK](#) [030-7380-004](#) [030-2494-001](#) [532939-1](#) [5532901-](#)  
[3](#) [3-1469268-7](#) [74748-102LF](#) [10041743-101LF](#) [10066670-100002LF](#) [1-533915-1](#) [249-4515-000](#) [7-1469373-3](#) [DL2-2J/S](#) [2000713-8](#)  
[2000713-7](#) [10124313-101LF](#) [3011-21](#) [757105208](#) [430305-001](#) [4395800100](#) [8140115](#)