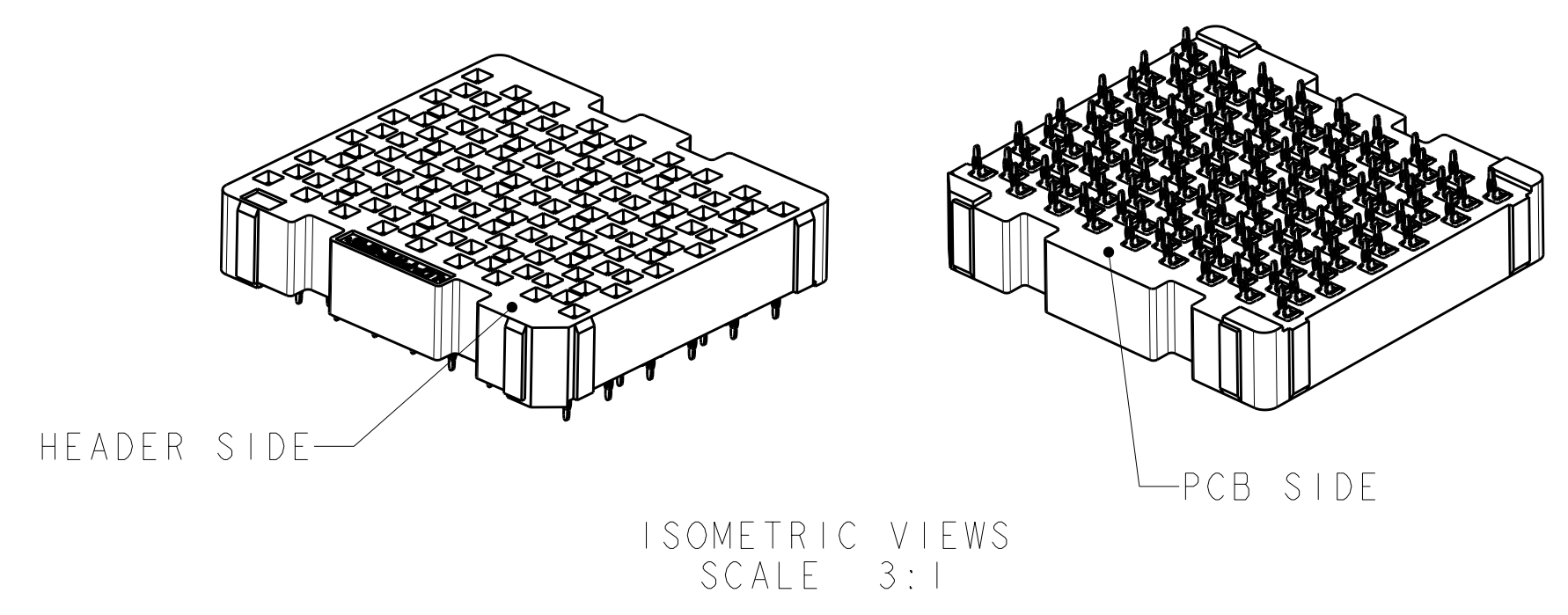
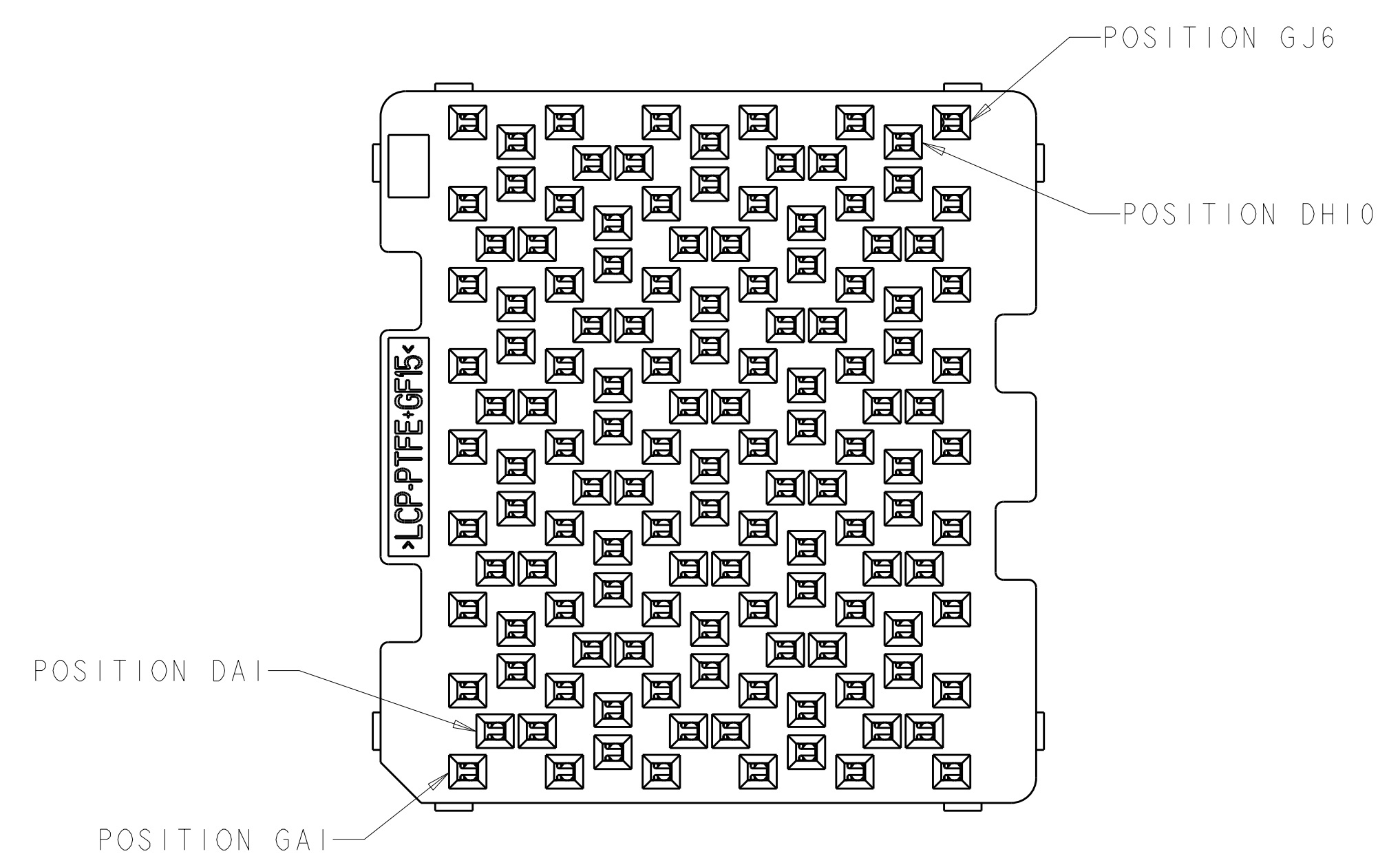


LOC	DIST	REVISIONS			
		REV	DATE	BY	APPV
GP	00	3	10 JAN 2011	WS	MH
		4	10 MAY 2012	REH	DT

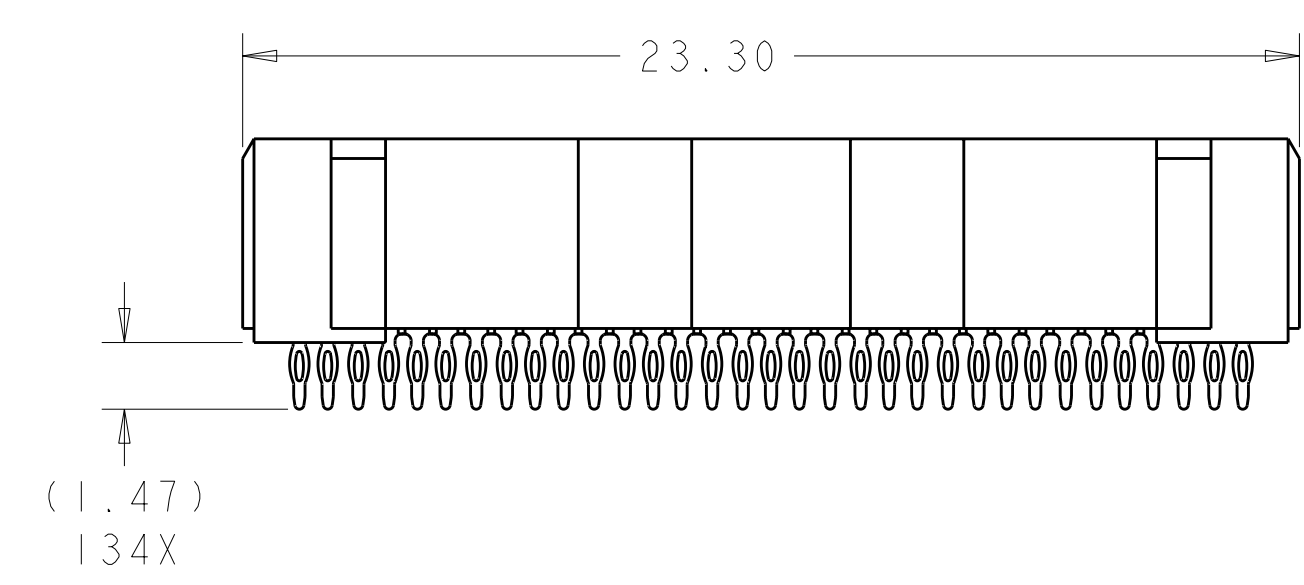
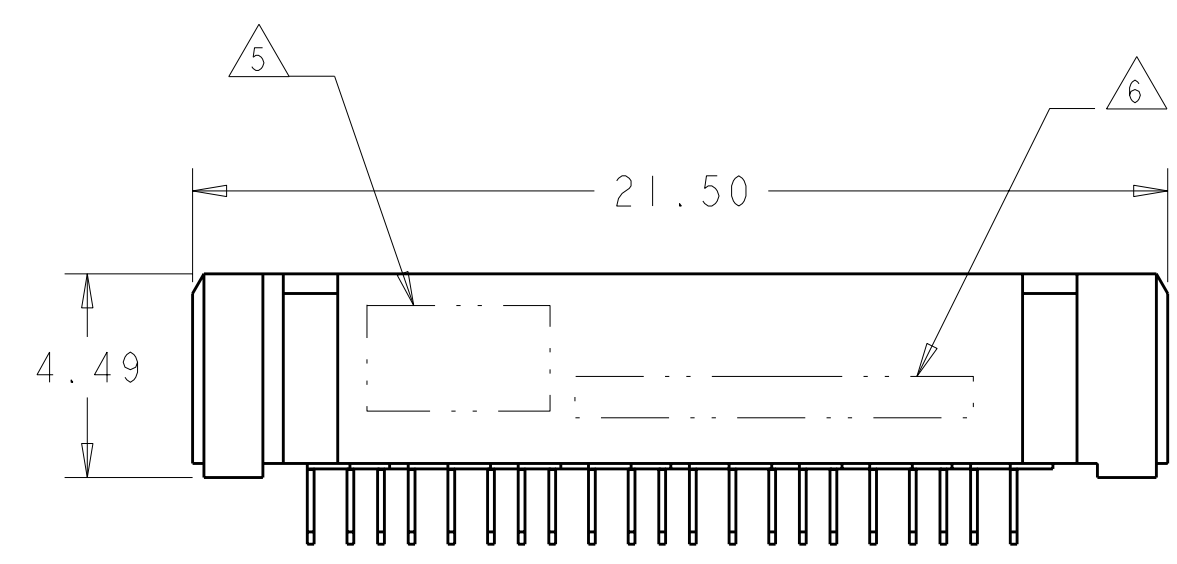


- △ MATERIAL:
HOUSING: THERMOPLASTIC, FLAMMABILITY RATING UL94-V0
CONTACT: COPPER ALLOY
- 2. CONFORMS TO THE REQUIREMENTS OF TE PRODUCT SPECIFICATION, 108-2375; BASED ON TELCORDIA GR-1217-CORE FOR SYSTEM QUALITY LEVEL III, APPLICATIONS IN CONTROLLED ENVIRONMENTS (CENTRAL OFFICE).
SEE TE PRODUCT SPECIFICATION 108-2375 FOR TEST SEQUENCES.
- △ ROWS GA THRU GJ (SHOWN DARKENED) ARE TYPICALLY USED AS GROUNDS.
- △ SPECIFIED POSITIONAL TOLERANCE DEFINES HOLE TO HOLE LOCATION WITHIN HOLE PATTERN. POSITIONAL TOLERANCE OF HOLE PATTERN TO FIDUCIAL MARKS OR PCB DATUMS SHALL BE DEFINED BY CUSTOMER.
- △ AREA RESERVED FOR TE CONNECTIVITY LOGO.
- △ AREA RESERVED FOR PART NUMBER (X-XXXXXXX-X) AND DATE CODE (YYWW).
- △ USE CENTERLINES INDICATED ON PCB HOLE PATTERN TO ESTABLISH ALIGNMENT BETWEEN HEADER AND RECEPTACLE BOARDS.
- △ PLATED THROUGH HOLE REQUIREMENTS:
HOLE SIZE PRIOR TO PLATING = $\varnothing 0.420 \pm 0.013$
COPPER PLATING THICKNESS = 0.038 ± 0.013
CALCULATED FINISHED HOLE SIZE = $\varnothing 0.344 \pm 0.039$
THESE DIMENSIONS APPLY TO THE TOP 1.25mm OF THE PCB THICKNESS FROM THE CONNECTOR MOUNTING SIDE.



SIZE 1 HOUSING *
40 DIFFERENTIAL PAIRS
134 TOTAL SIGNAL CONTACTS

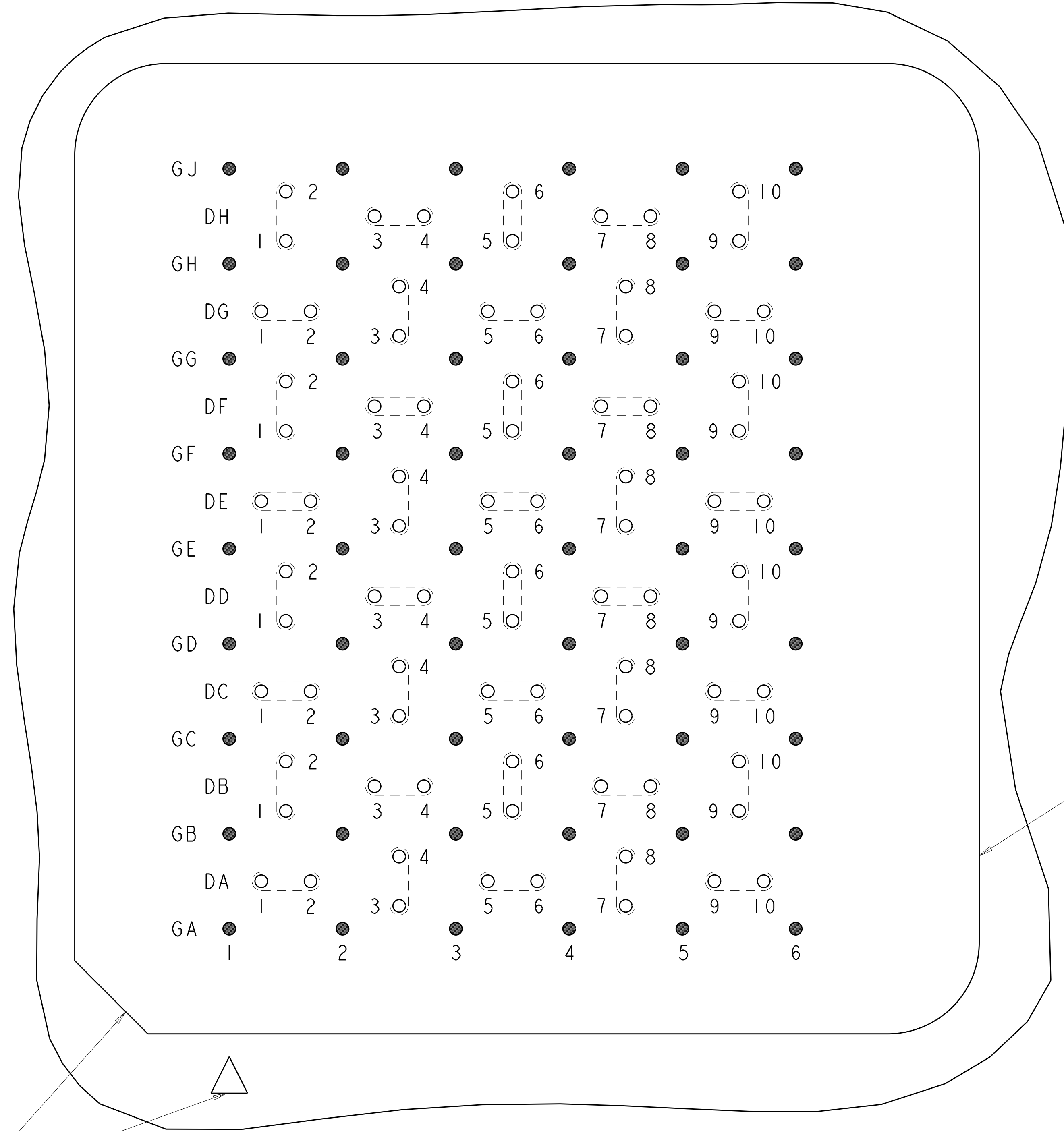
* SIZE 2 AND SIZE 3 ARE ALSO AVAILABLE



THIS PRODUCT HAS NOT COMPLETED VALIDATION AND QUALIFICATION TESTING

THIS DRAWING IS A CONTROLLED DOCUMENT.		OWN D. RINGLER 13FEB2009	YES		MATTE Sn	5-2110321-1
DIMENSIONS:		CHK D. TROUT 13FEB2009	TOOLED		Sn/Pb	2110321-1
TOLERANCES UNLESS OTHERWISE SPECIFIED:		APVD J. FEDDER 13FEB2009	CONTACT TAIL PLATING		PART NUMBER	
mm		PRODUCT SPEC	TE Connectivity RECEPTACLE ASSEMBLY 40/134 SIGNAL STRADA MESA MEZZANINE CONNECTOR			
9 PLC ± 3 PLC ±0.13 5 PLC ±0.013 4 PLC ± ANGLES ±#1 FINISH :		APPLICATION SPEC				
MATERIAL		114-13249	SIZE	CAGE CODE	DRAWING NO	RESTRICTED TO
WEIGHT		114-13249	A100779	C=2110321		
CUSTOMER DRAWING		SCALE	6:1	SHEET	1 OF 3	REV 4


LOC	DIST	REVISIONS			
GP	00	REV	DATE	BY	APPD
		1			
		2			
		3			
		4			
		5			
		6			
		7			
		8			
		9			
		10			



MATED CONNECTOR OUTLINE
 SEE SHEET 3 FOR LOCATION TO HOLES

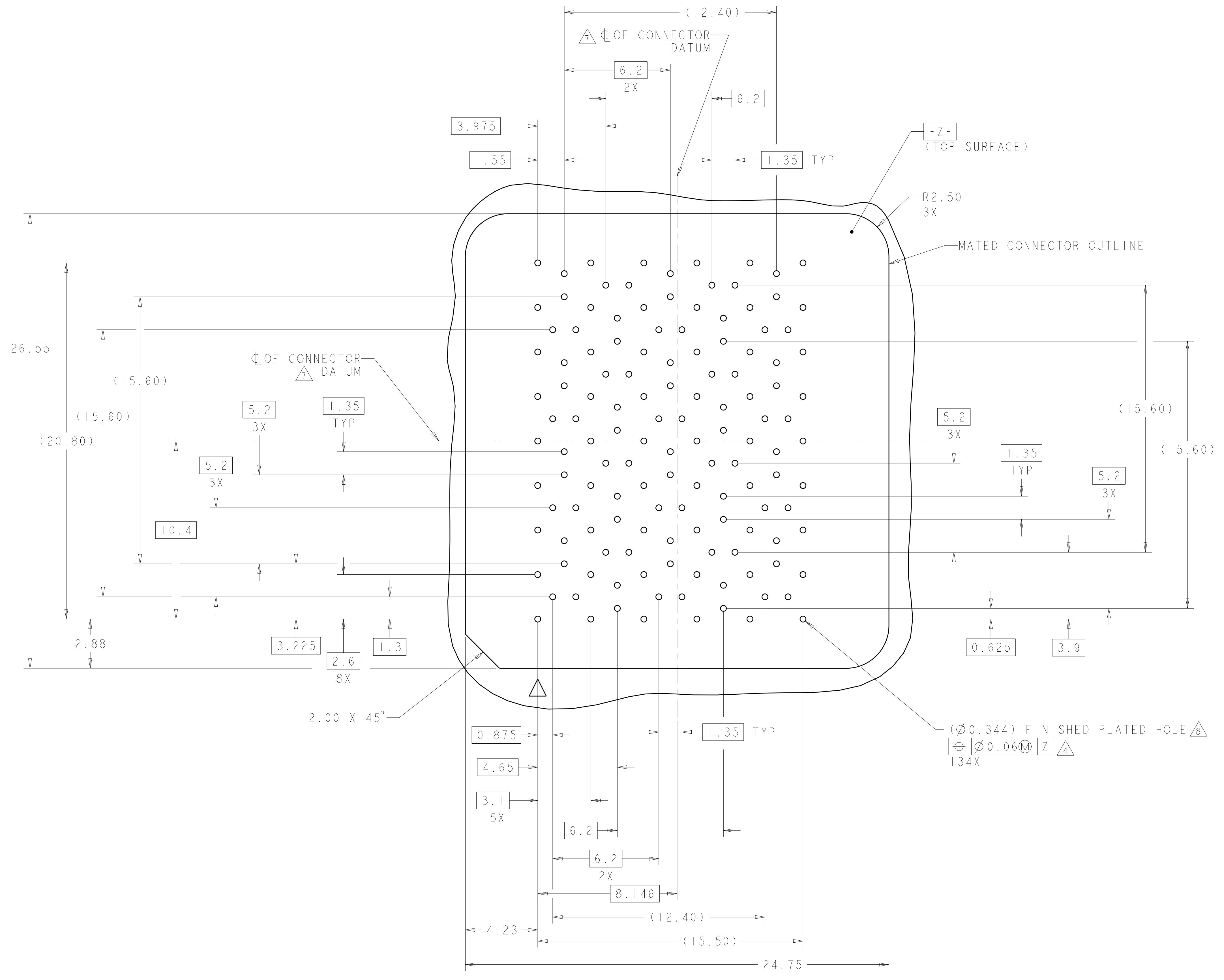
A1 CORNER INDICATORS.

PCB LAYOUT AND PIN IDENTIFICATION 
 SHOWN FROM CONNECTOR SIDE
 SCALE 12:1

THIS DRAWING IS A CONTROLLED DOCUMENT.		DWN D. RINGLER 13FEB2009	 TE Connectivity
DIMENSIONS: mm		CHK D. TROUT 13FEB2009	
TOLERANCES UNLESS OTHERWISE SPECIFIED: 9 PLG ± 2 PLG ±0.13 5 PLG ±0.013 4 PLG ± ANGLES ±#1		APVD J. FEDDER 13FEB2009	NAME RECEPTACLE ASSEMBLY 40/134 SIGNAL STRADA MESA MEZZANINE CONNECTOR
MATERIAL -		FINISH -	RESTRICTED TO A1100779C=2110321
CUSTOMER DRAWING		SCALE 6:1	SHEET 2 OF 3 REV 4

LOC	DIST	REV	DATE	BY	APPD
GP	00				

REVISIONS					
REV	DATE	BY	APPD	DESCRIPTION	DATE
-	-	-	-	SEE SHEET 1	-



THIS DRAWING IS A CONTROLLED DOCUMENT.		DWN D. RINGLER 13FEB2009	TE Connectivity
DIMENSIONS: mm		CHK D. TROUT 13FEB2009	
		APVD J. FEDDER 13FEB2009	NAME RECEPTACLE ASSEMBLY 40/134 SIGNAL STRADA MESA MEZZANINE CONNECTOR
TOLERANCES UNLESS OTHERWISE SPECIFIED:		PRODUCT SPEC 108-2375	SIZE A1100779C=2110321
0 PLC ± 1 PLC ± 2 PLC ±0.13 3 PLC ±0.013 4 PLC ± ANGLES ±#1 FINISH -		APPLICATION SPEC 114-13249	RESTRICTED TO -
MATERIAL -		WEIGHT -	CUSTOMER DRAWING
		SCALE 6:1	SHEET 3 OF 3 REV 4

X-ON Electronics

Largest Supplier of Electrical and Electronic Components

Click to view similar products for [Board to Board & Mezzanine Connectors](#) category:

Click to view products by [TE Connectivity](#) manufacturer:

Other Similar products are found below :

[589158040000018](#) [FCN-230C068-11](#) [FCN-268F012-G/BD](#) [FCN-268F036-G/BD](#) [FCN-268M012-G/0D](#) [FCN-268M024-G/1D](#) [FCN-723J004/1](#) [MIS-048-01-F-D-DP-K](#) [832-10-034-10-001000](#) [FX4C-80S-1.27DSA](#) [FCN-214Q030-G/0](#) [FCN-234P048-G/0](#) [FCN-235D050-G/C](#) [210-93-314-41-105000](#) [2-22603-0](#) [MDF7-40DP-2.54DSA\(55\)](#) [AXG720047](#) [5031084030](#) [MIT-114-03-F-D-K](#) [55323-1519](#) [DF33-2P-3.3DSA\(24\)](#) [YFT-20-05-H-03-SB-K](#) [503308-3040](#) [026-6203-PDB](#) [027-6203-PDB](#) [069159702701000](#) [10123981-102LF](#) [101A10019X](#) [55650-0588-C](#) [68684-306](#) [75140-7012](#) [589159005003045](#) [194261-1](#) [FCN-268F024-G0D](#) [10124054-515LF](#) [68685-603](#) [8-1616154-3](#) [MIS-019-01-F-D](#) [589159005002045](#) [541371078](#) [IL-WX-10PB-HF-B-E1000E](#) [FCN-268M024-G/3D](#) [20021832-06016C1LF](#) [KX15-20KLDL-E1000E](#) [MDF7-16DP-2.54DSA\(55\)](#) [AXE810124](#) [FCN-214J100-G/0](#) [FCN-230C068-E/S](#) [AXE812124](#) [AXE816124](#)