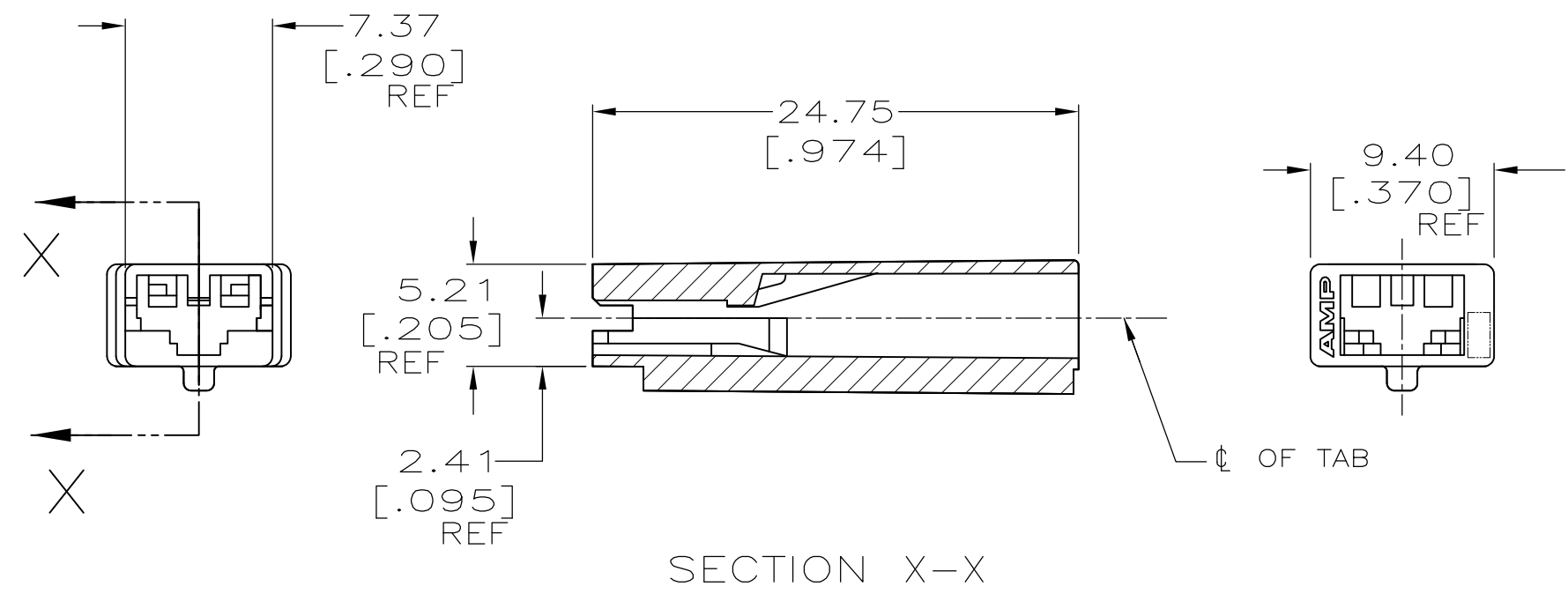
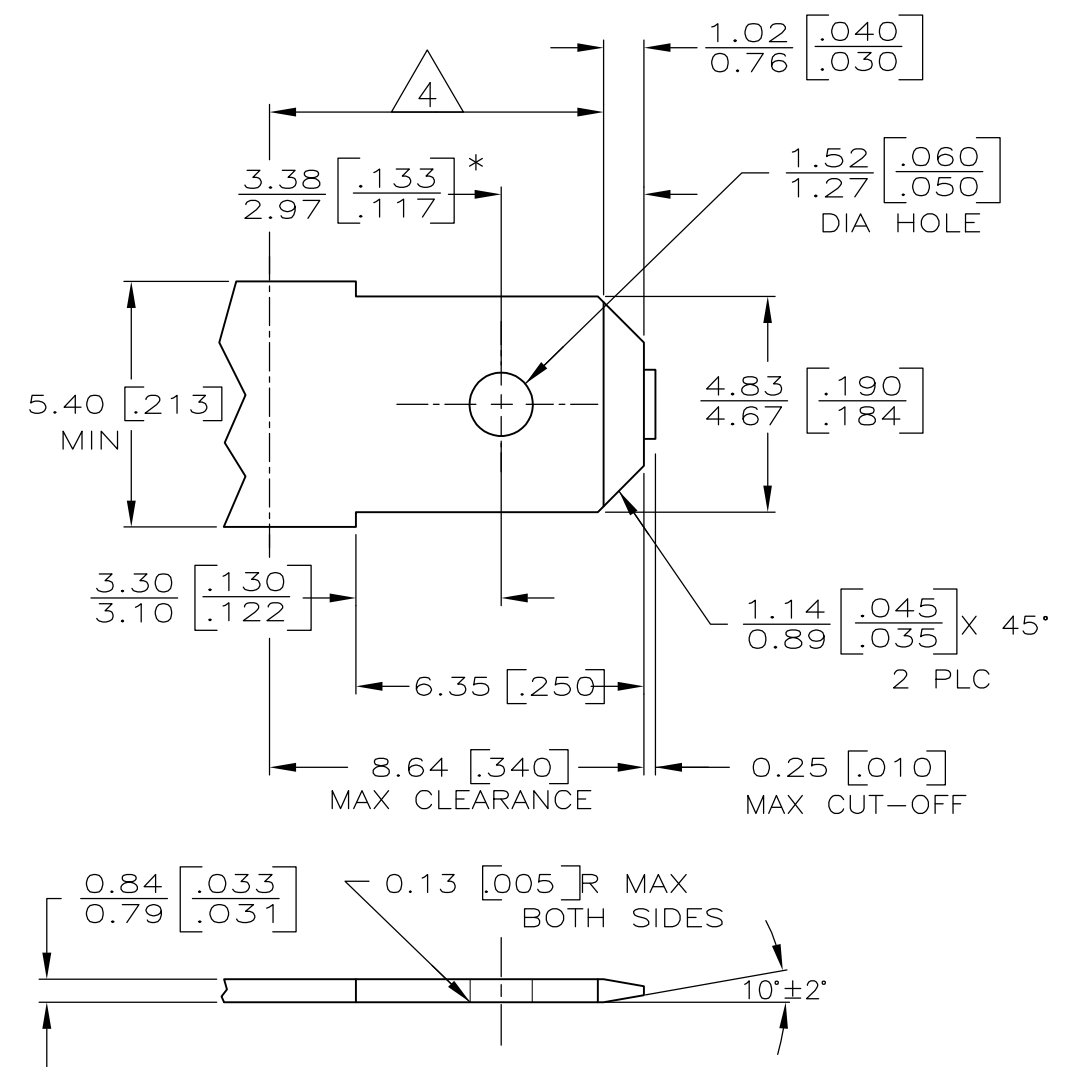


THIS DRAWING IS UNPUBLISHED. RELEASED FOR PUBLICATION
 © COPYRIGHT - By - ALL RIGHTS RESERVED.

LOC	DIST	REVISIONS			
P	LTR	DESCRIPTION	DATE	DWN	APVD
AF	50	E	REVISED PER ECO-13-014735	19SEP2013	KH MD

SUGGESTED MATING TAB



- 1 ACCEPTS CONTACTS FOR 0.81 [.032] THICK TABS ONLY. EXAMPLE, 63498, 173690.
- △ 2 PRELIMINARY - NOT FOR PRODUCTION

- 1 MATL: #2 HARD BRASS OR NICKEL PLATED STEEL.
- 2 NO BURRS PERMISSIBLE AT HOLE.
- 3 TIN PLATING IS REQUIRED ON BRASS WHEN TERMINAL TEMPERATURE IS OVER 225° F
- △ 4 MUST BE FLAT WITHIN 0.076 [.003] OVER THIS LENGTH.
- 5 HOLE MUST BE SYMMETRICAL ABOUT TAB ϕ WITHIN 0.076 [.003].
- * TO BE USED ONLY WHEN SHOULDER IS ELIMINATED.

66 NYLON, V0	521125-3
STANYL TW341	△ 521125-2
6/6 NYLON	521125-1
MATERIAL	PART NO.

THIS DRAWING IS A CONTROLLED DOCUMENT.		DWN	JR RUTH	11/15/96	STE TE Connectivity		
DIMENSIONS: mm [INCHES]		CHK	MS FEHER	11/15/96			
TOLERANCES UNLESS OTHERWISE SPECIFIED:		APVD	J GILLESPIE	11/15/96	NAME		
0 PLC	± -	PRODUCT SPEC			HOUSING, POSITIVE-LOCK, 4.75 [.187] SERIES, MK II		
1 PLC	± -	APPLICATION SPEC			SIZE		
2 PLC	± 0.25 [.010]	WEIGHT			CAGE CODE		
3 PLC	± -	CUSTOMER DRAWING			DRAWING NO		
4 PLC	± -	SCALE			RESTRICTED TO		
ANGLES	± -	3:1			SHEET		
MATERIAL	SEE TABLE	FINISH			1 OF 1		
NATURAL		REV			E		

X-ON Electronics

Largest Supplier of Electrical and Electronic Components

Click to view similar products for [Headers & Wire Housings](#) category:

Click to view products by [TE Connectivity](#) manufacturer:

Other Similar products are found below :

[892-18-020-10-001101](#) [58102-G61-06LF](#) [582553-1](#) [0009485154](#) [009176003701906](#) [0050291907](#) [LY20-4P-DT1-P1E-BR](#) [02.125.8002.8](#)
[609-3404](#) [61062-3](#) [61082-181009](#) [622-3653LF](#) [63453-116](#) [636-1030](#) [636-1427](#) [636-3427](#) [636-4007](#) [641938-9](#) [641991-4](#) [644827-2](#) [65817-](#)
[010LF](#) [65817-015LF](#) [65863-015LF](#) [66207-023LF](#) [67095-007LF](#) [67601157](#) [68645-018](#) [68648-049](#) [70.362.1628.0](#) [70-4210](#) [70-4226B](#) [70-](#)
[4853B](#) [707-5020](#) [707-5028](#) [71.350.2428.0](#) [71918-208LF](#) [71961-016LF](#) [733-134](#) [733-162](#) [754199-000](#) [760-3052](#) [787-8014-00](#) [79531-3000](#)
[FCN-360C032-B](#) [FCN-367T-T012/H](#) [FCN-723D010/2](#) [80.063.4001.1](#) [800-90-001-10-001000](#) [800-90-010-10-002000](#) [801-43-002-10-013000](#)