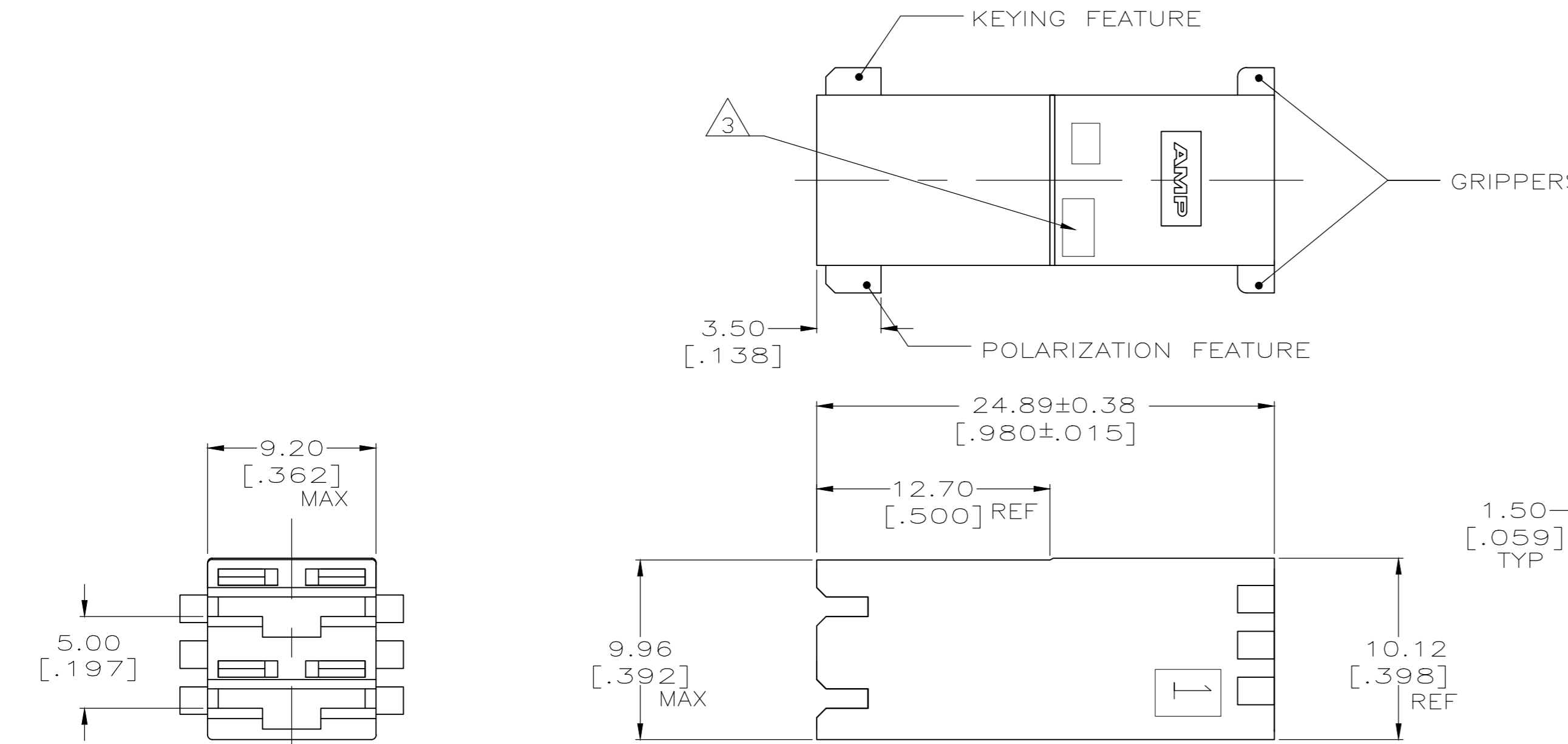
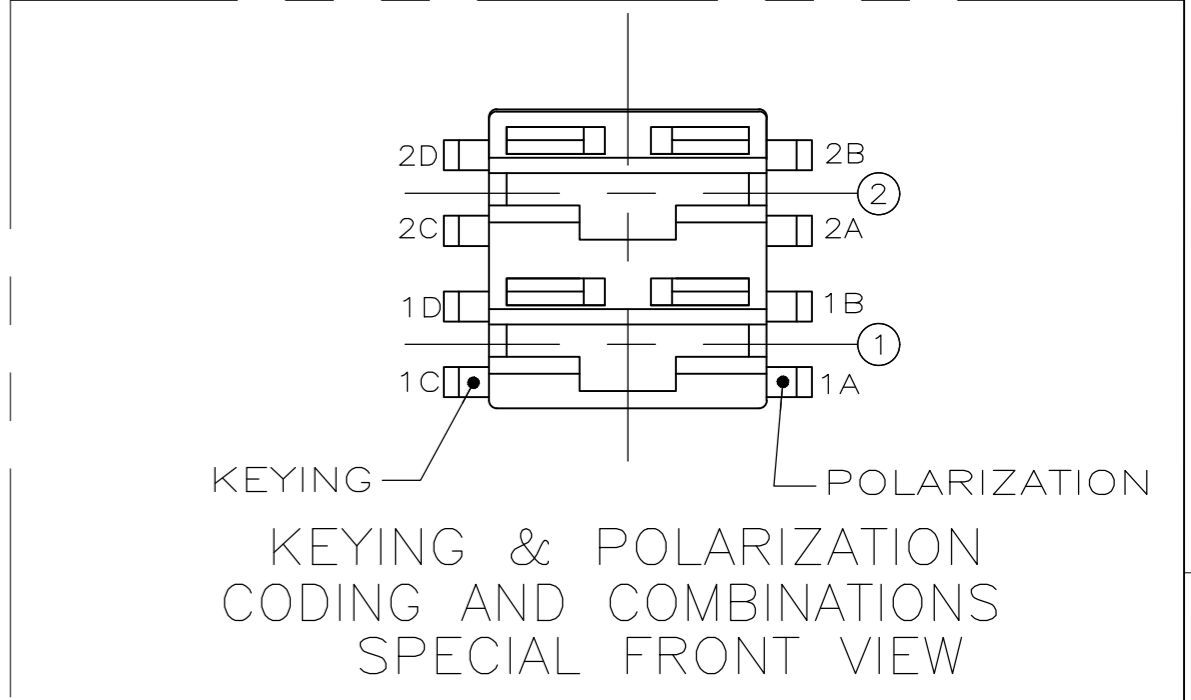


THIS DRAWING IS UNPUBLISHED. RELEASED FOR PUBLICATION  
 © COPYRIGHT - By - ALL RIGHTS RESERVED.

REVISIONS				
P	LTR	DESCRIPTION	DATE	APVD
AB		REVISED PER ECR-18-009787	24JUL2018	BDA MD



- 1 ACCEPTS RECEPTACLE CONTACTS 1217378(#18-#22 AWG SINGLE WIRE), 1217094(#18-#14 AWG SINGLE WIRE) AND 1217095 (TWO #18'S OR TWO #16'S OR A #16 + #18 COMBINATION).
- 2 FRONT AND BACK VIEWS SHOW ONLY THE GRIPPERS. FOR KEYING AND POLARIZATION FEATURES, SEE SPECIAL FRONT VIEW.
- 3 DFE SYMBOL
- 4 PRELIMINARY - NOT FOR PRODUCTION
- 5 NOTE DELETED
- 6 PRE-PRODUCTION - FASR REQUIRED
- 7 GWEPT 750C NO FLAME



RAST CONFIGURATION	FINISH/COLOR	KEYING FEATURE	POLARIZATION FEATURES	PART NO.
02-B	NATURAL	1C	1A & 2B	1-521204-7
02-E	NATURAL	2D	1A & 2B	1-521204-6
02-A	NATURAL	1C,2D	1B & 2A	1-521204-5
-	NATURAL	NONE	NONE	1-521204-4
02-A	NATURAL	1C,2D	1B & 2A	1-521204-2
02-A	NATURAL	1C,2D	1B & 2A	1-521204-1
-	BLUE	1C,2D	1A,1B,2A,2B	1-521204-0
02-C	BLUE	1C,2D	2A	521204-9
02-K	BLUE	1C	1A & 2A	521204-8
02-B	BLUE	1C	1A & 2B	521204-7
02-A	BLUE	1C,2D	1B & 2A	521204-6
-	BLUE	NONE	NONE	521204-5
-	NATURAL	1D	1A & 2B	521204-4
02-E	NATURAL	2D	1A & 2B	521204-3
-	BLUE	1D	1A & 2B	521204-2
02-E	BLUE	2D	1A & 2B	521204-1

THIS DRAWING IS A CONTROLLED DOCUMENT.

DWN: JR RUTH 10/20/98  
 CHK: MS FEHER 10/20/98  
 APVD: J GILLESPIE 10/20/98

TE Connectivity

HOUSING, RECEPT, POSITIVE-LOCK, MKIII, 6.35 [.250] SERIES, 2 POSITION

SIZE: A2 CAGE CODE: 00779 DRAWING NO: 521204 RESTRICTED TO: -

MATERIAL: NYLON FINISH: SEE TABLE WEIGHT: CUSTOMER DRAWING SCALE: 4:1 SHEET: 1 OF 1 REV: AB

## X-ON Electronics

Largest Supplier of Electrical and Electronic Components

*Click to view similar products for [Headers & Wire Housings](#) category:*

*Click to view products by [TE Connectivity](#) manufacturer:*

Other Similar products are found below :

[892-18-020-10-001101](#) [58102-G61-06LF](#) [582553-1](#) [0009485154](#) [009176003701906](#) [0050291907](#) [LY20-4P-DT1-P1E-BR](#) [02.125.8002.8](#)  
[609-3404](#) [61062-3](#) [61082-181009](#) [622-3653LF](#) [63453-116](#) [636-1030](#) [636-1427](#) [636-3427](#) [636-4007](#) [641938-9](#) [641991-4](#) [644827-2](#) [65817-](#)  
[010LF](#) [65817-015LF](#) [65863-015LF](#) [66207-023LF](#) [67095-007LF](#) [67601157](#) [68645-018](#) [68648-049](#) [70.362.1628.0](#) [70-4210](#) [70-4226B](#) [70-](#)  
[4853B](#) [707-5020](#) [707-5028](#) [71.350.2428.0](#) [71918-208LF](#) [71961-016LF](#) [733-134](#) [733-162](#) [754199-000](#) [760-3052](#) [787-8014-00](#) [79531-3000](#)  
[FCN-360C032-B](#) [FCN-367T-T012/H](#) [FCN-723D010/2](#) [80.063.4001.1](#) [800-90-001-10-001000](#) [800-90-010-10-002000](#) [801-43-002-10-013000](#)