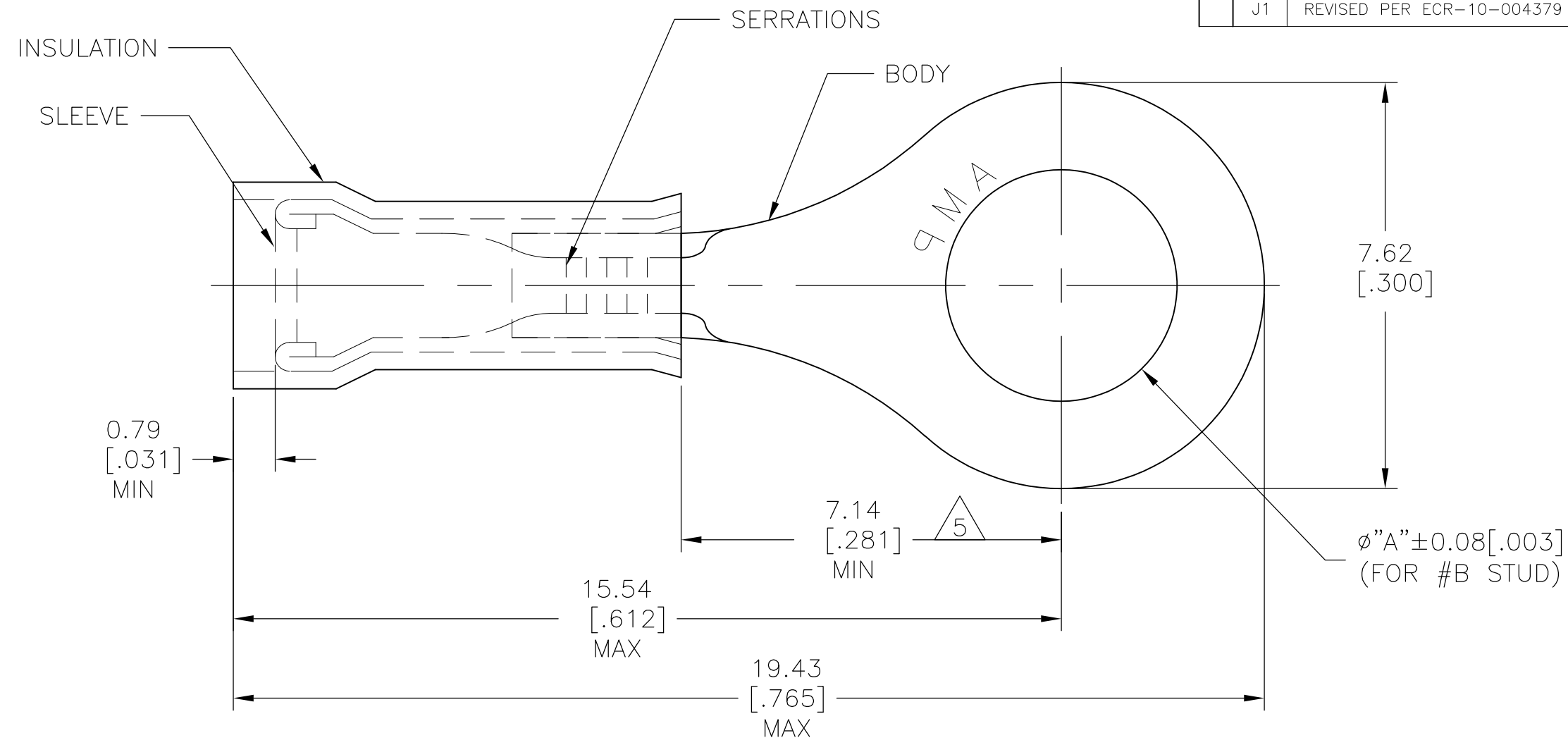


THIS DRAWING IS UNPUBLISHED. RELEASED FOR PUBLICATION
 © COPYRIGHT BY TYCO ELECTRONICS CORPORATION. ALL INTERNATIONAL RIGHTS RESERVED.

LOC G	DIST 14	REVISIONS		
P	LTR	DESCRIPTION	DATE	DWN
	J1	REVISED PER ECR-10-004379	22MAR10	HMR
				APVD JR



- 1 SUPERSEDED BY 52124-1
- 2 MILITARY RANGE: 26-24
COMMERCIAL RANGE: 26-22
- 3 FOR 1.27[.050] TO 2.08[.082]
WIRE INSULATION DIA
- 4 TONGUE MATERIAL THK
0.46±0.05[.018±.002]
- 5 APPLIES FROM EDGE OF METAL
BARREL TO CENTERLINE OF STUD HOLE.

OBSOLETE	#10	.197	1	WIRE TERMINAL	52124-3	BODY: COPPER ASTM-B152 TIN PL ASTM-B545 SLEEVE: COPPER ASTM-B152 TIN PL ASTM-B545 INSULATION: NYLON ASTM-D4066 TYPE I COLOR: YELLOW	52124-1
	#8	.171	1		52124-2		52124
	"B"	"A"	QTY		DESCRIPTION		PART NO ON TAPE

THIS DRAWING IS A CONTROLLED DOCUMENT.

DIMENSIONS: mm [INCHES]	TOLERANCES UNLESS OTHERWISE SPECIFIED:	DWN RAGHAVENDRA 22MAR10	Tyco Electronics Corporation Harrisburg, PA 17105-3608
	0 PLC ± -	CHK JEFF RUTH 22MAR10	
	1 PLC ± -	APVD TOM MICHIELUTTI 22MAR10	
	2 PLC ± -	PRODUCT SPEC	
	3 PLC ± 0.20 [.008]	NAME	TERMINAL PIDG - NYLON - RING TONGUE WIRE SIZE: 26-22
	4 PLC ± -	APPLICATION SPEC	
	ANGLES ± 0° 30'	WEIGHT	SIZE A3
MATERIAL SEE TABLE	FINISH SEE TABLE	CUSTOMER DRAWING	CAGE CODE 00779 DRAWING NO G-52124 RESTRICTED TO -
		SCALE 10:1	SHEET 1 OF 1 REV J1

X-ON Electronics

Largest Supplier of Electrical and Electronic Components

Click to view similar products for [Terminals](#) category:

Click to view products by [TE Connectivity](#) manufacturer:

Other Similar products are found below :

[00-054007-01074-6](#) [00-054007-70206-1](#) [00-054007-70210-8](#) [00-054007-70217-7](#) [00-054007-70226-9](#) [00-054007-70228-3](#) [00-054007-70248-1](#) [00-054007-70256-6](#) [00-054007-70301-3](#) [00-054007-70316-7](#) [00-054007-49560-4](#) [00-054007-70209-2](#) [00-054007-70225-2](#) [00-054007-70227-6](#) [00-054007-70231-3](#) [00-054007-70241-2](#) [00-054007-70242-9](#) [00-054007-70244-3](#) [00-054007-70246-7](#) [00-054007-70263-4](#) [00-054007-70288-7](#) [00-054007-70290-0](#) [00-054007-70300-6](#) [00-054007-70304-4](#) [01-2065-1-0216](#) [01-2900-1-04412](#) [00581P0075](#) [600TS-10](#) [60205-1](#) [604200-1](#) [605601-1](#) [60598-1-CUT-TAPE](#) [61314-6-C](#) [61810-3](#) [61-S](#) [61-SN](#) [626-0194](#) [62-NBM-A](#) [62-SN](#) [62-SP](#) [63-S](#) [640179-1](#) [M55155/059I03](#) [M55155/079C01](#) [M55155/099H02](#) [M55155/109H01](#) [M55155/109H02](#) [M55155/12XH05](#) [M55155/16XH02](#) [M55155/29-5S](#)