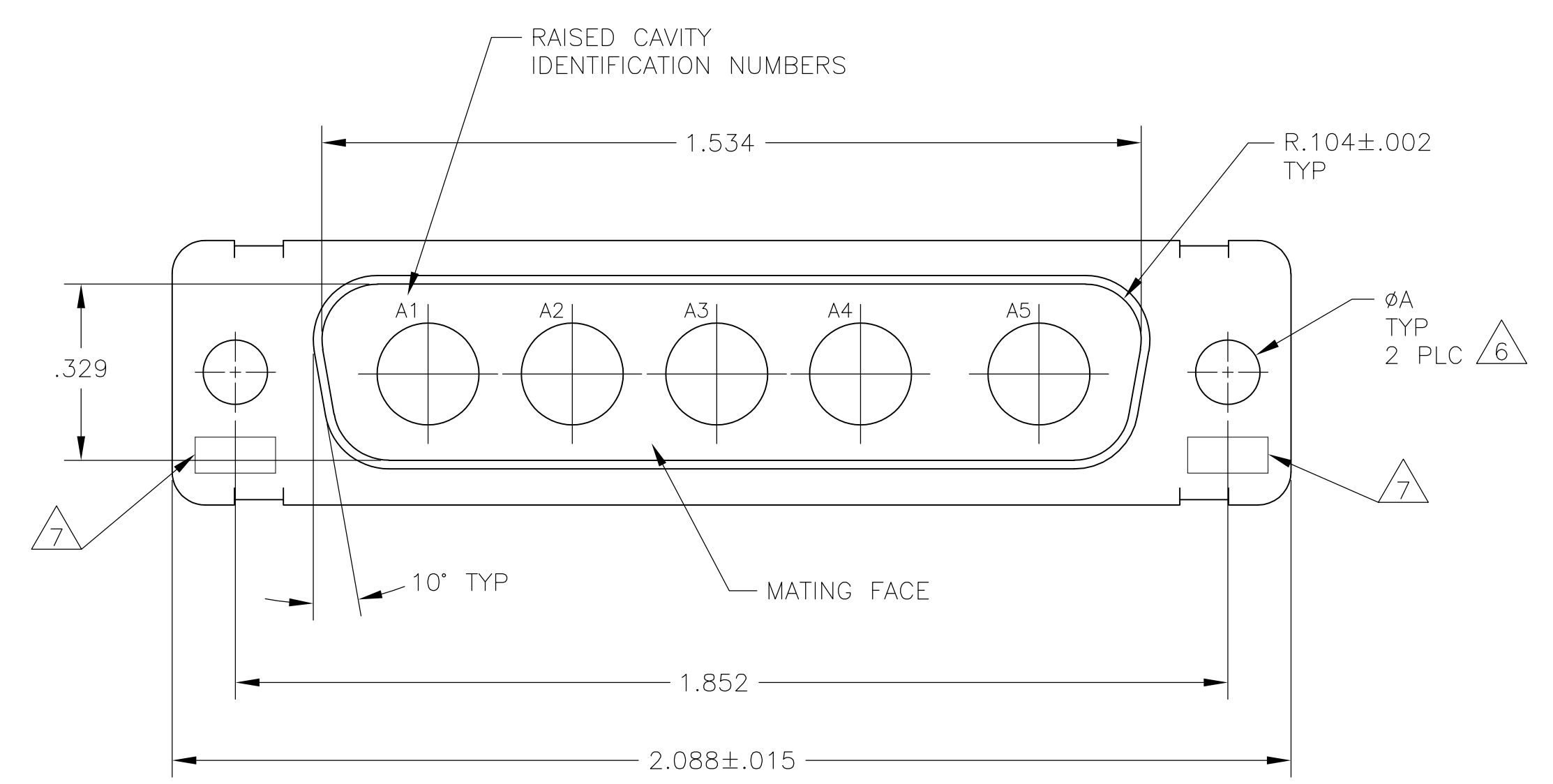
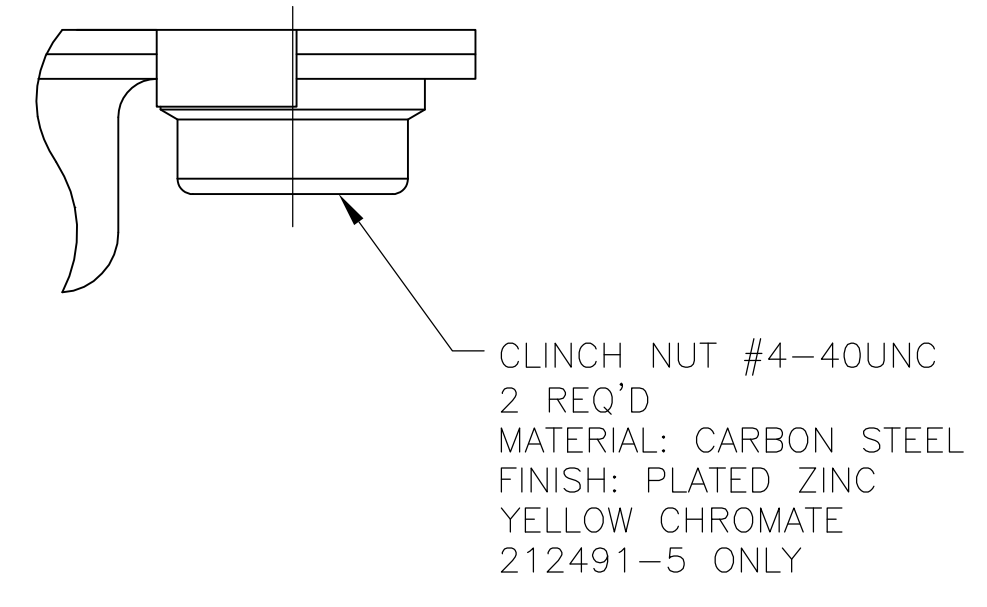
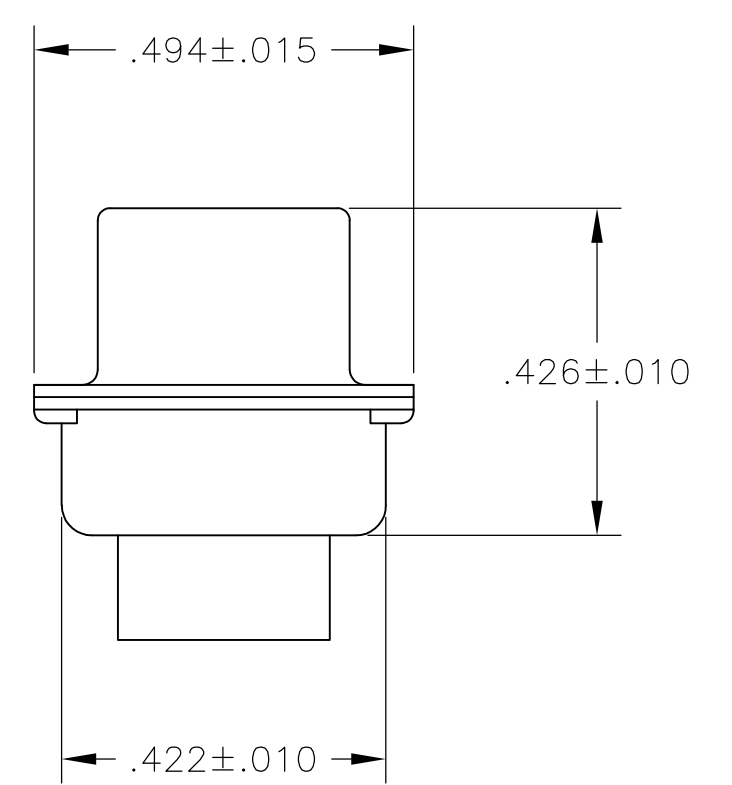
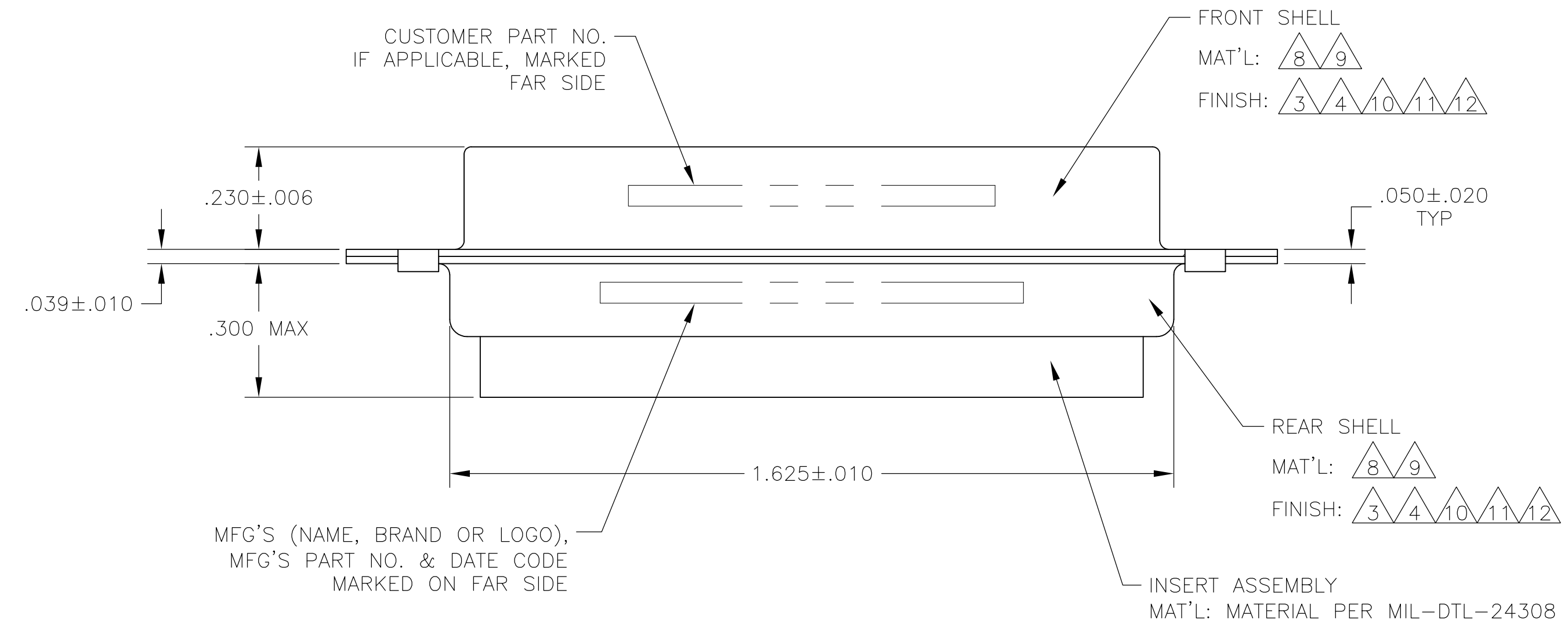


LOC		DIST		REVISIONS			
F	LTR	DESCRIPTION	DATE	DN	APVD		
V		REVISED PER ECO-15-016251	13NOV15	KG	CD		



- THIS PLUG WILL MATE WITH ANY 5C5, SIZE 3 RECEPTACLE IN AMPLIMITE SERIES.
- USE (5) SIZE 8 POWER, OR COAX PIN CONTACTS. CONSULT PRODUCT ENGINEERING FOR MORE DETAILS.
- CADMIUM PLATED PER QQ-P-416, TYPE II, CLASS 2.
- FINISH: TIN PER ASTM-B-545 .000200 MIN THK OVER COPPER PER AMS2418 .000100-.000200 THK.
- GROUNDING INDENTS FOR 212491-3, 212491-5, 212491-9, 5-212491-3, & 5-212491-5 (NOT SHOWN ON DWG).
- 212491-5 & 5-212491-5 SUPPLIED WITH 4-40UNC-2B CLINCH NUTS IN THE MOUNTING HOLE LOCATIONS.
- UL/CSA DESIGNATION STAMPED IN THIS AREA, OPTIONAL.
- STEEL PER ASTM-A-109.
- BRASS PER ASTM-B-36 AND MIL-C-50.
- FINISH: PLATED GOLD PER MIL-G-45204, TYPE II, GRADE C OVER COPPER PLATE PER MIL-C-14550, CLASS IV.
- FINISH: TIN PER ASTM-B-545 .000400 MIN THK OVER COPPER PER AMS2418 .000050 MIN THK.
- FINISH: ZINC PLATE PER ASTM-B-633 .000200-.000400 THK WITH SUPPLEMENTARY CHROMATE (Cr3+).



NOT RELEASED FOR PRODUCTION

CUSTOMER PART NO.	φA	REMARKS	PART NO.
NOT APPLICABLE	△6	△5△8△11	5-212491-5
NOT APPLICABLE	.120	△5△8△11	5-212491-3
NOT APPLICABLE	.120	△8△12	5-212491-1
NOT APPLICABLE	.120	△8△11	1-212491-0
NOT APPLICABLE	.120	△5△8△11	212491-9
B010942-0015	.120	△9△10	212491-8
311P405-10P-B-15	.154	△9△10	212491-7
311P405-10P-B-12	.120	△9△10	212491-6
NOT APPLICABLE	△6	△4△5△8	212491-5
97942-645A935H02	.120	△3△8	212491-4
NOT APPLICABLE	.120	△4△5△8	212491-3
NOT APPLICABLE	.120	△3△8	212491-2
NOT APPLICABLE	.120	△3△8	212491-1
CUSTOMER PART NO.	φA	REMARKS	PART NO.

THIS DRAWING IS A CONTROLLED DOCUMENT.		DIN MANJUNATH G.M. 27-May-15		TE Connectivity	
DIMENSIONS: INCHES		CHK CHARLES THOMAS 27-May-15		NAME PLUG ASSEMBLY AMPLIMITE 5C5 SIZE 3, SERIES 109, COAX MIX	
TOLERANCES UNLESS OTHERWISE SPECIFIED:		APVD CHARLES THOMAS 27-May-15		SIZE: A1	
0 PLC	± -	PRODUCT SPEC		DRAWING NO: 00779	
1 PLC	± -	APPLICATION SPEC		C=212491	
2 PLC	± -	WEIGHT		SCALE: 4:1	
3 PLC	± .005(0.13)	CUSTOMER DRAWING		SHEET 1 OF 1	
4 PLC	± -	RESTRICTED TO		REV V	
ANGLES	± - 0°, 90°				

## X-ON Electronics

Largest Supplier of Electrical and Electronic Components

*Click to view similar products for [D-Sub Mixed Contact Connectors](#) category:*

*Click to view products by [TE Connectivity](#) manufacturer:*

Other Similar products are found below :

[173114-0234](#) [790-025SF-5P5NMN](#) [790-025SJ-7P7NML](#) [DBM9W4SN](#) [9030M2MAT99X90X](#) [L717TWB5W5P3R](#) [L717TWB5W5PA514](#)  
[L717TWB5W5PRM84](#) [L717TWP3W3P](#) [3003W3PXX56N40X](#) [3005W5PXX99A30X](#) [3005W5PXX99E40X](#) [3005W5SXX99A30X](#)  
[3007W2SCT56N40X](#) [3013W3SCM99A10X](#) [3017W2SCT56N40X](#) [3036W4PCM41A10X](#) [3036W4SCM99A10X](#) [FCE17-E2W2SS-2N0](#)  
[212522-7](#) [3003W3PXX43A10X](#) [3003W3SXX56N40X](#) [3005W5PXX49E40X](#) [3005W5PXX88N40X](#) [3007W2PAR71E20X](#)  
[3008W8SXX57A30X](#) [3009W4PCT57P20X](#) [3011W1SXX99A10X](#) [3013W6SXX99A10X](#) [3017W2PAR69E20X](#) [3017W2SAR69C40X](#)  
[3024W7SCM99A10X](#) [302W2CPXX56N40X](#) [3043W2SAR71E40X](#) [321WA4PXX99A60X](#) [321WA4SCT56N40X](#) [3F3SSC22S41A30X](#)  
[5604805](#) [L717TWA7W2PP2SY3R](#) [DBM9W4PN](#) [421WA4PCR50E20X](#) [09691009009](#) [09691100022500](#) [09693009176](#) [09692009147](#)  
[09693909015](#) [6017W2PCM41B30X](#) [790-044SE-7P3MNPB](#) [790-043PE-11P2MPA](#) [790-043PB-2P2MPB](#)