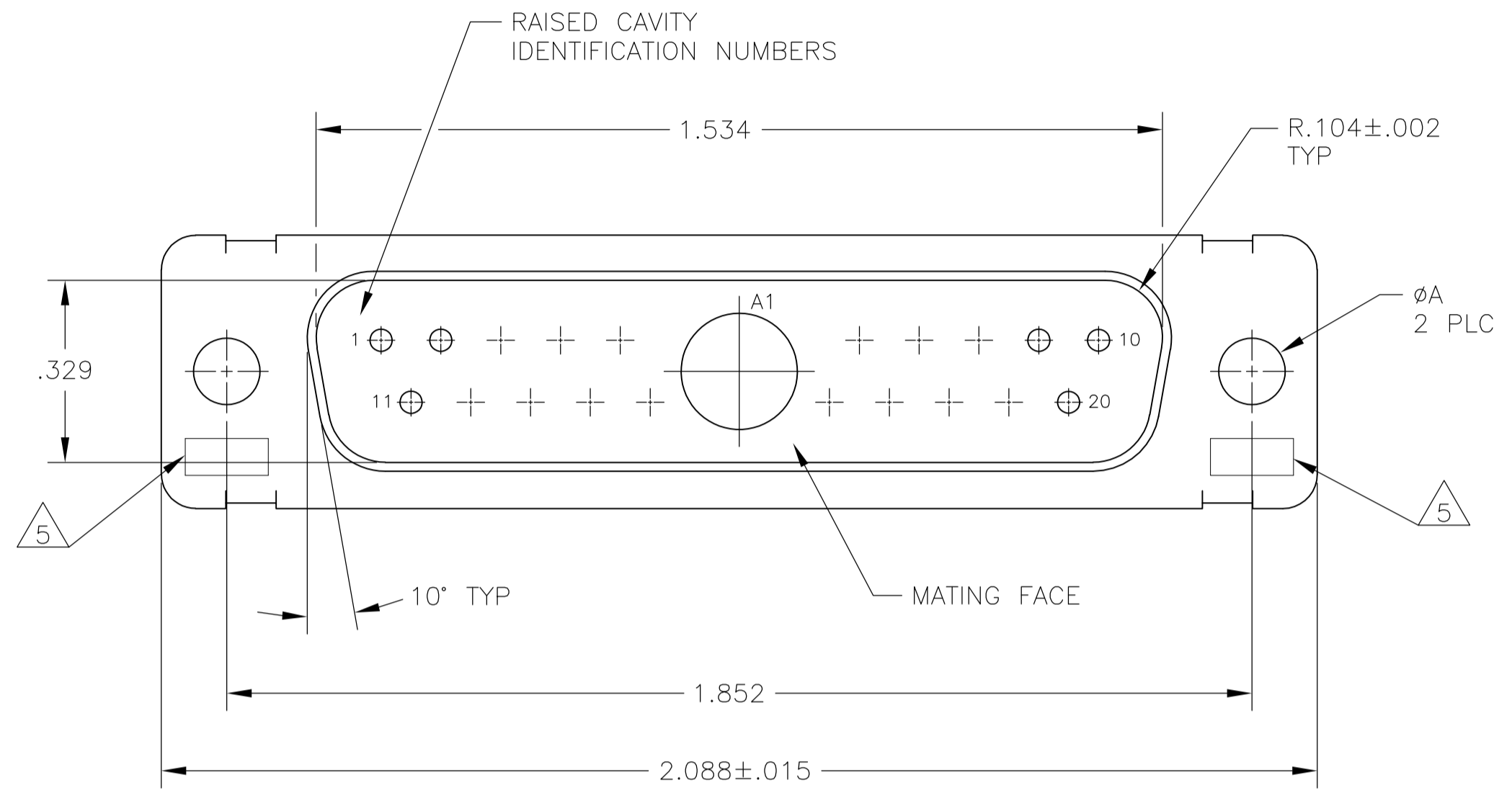
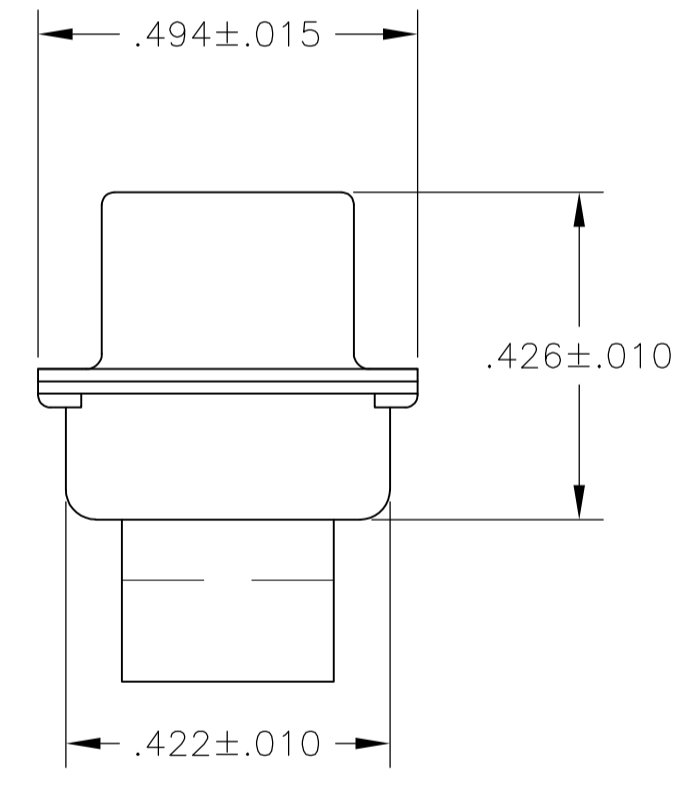
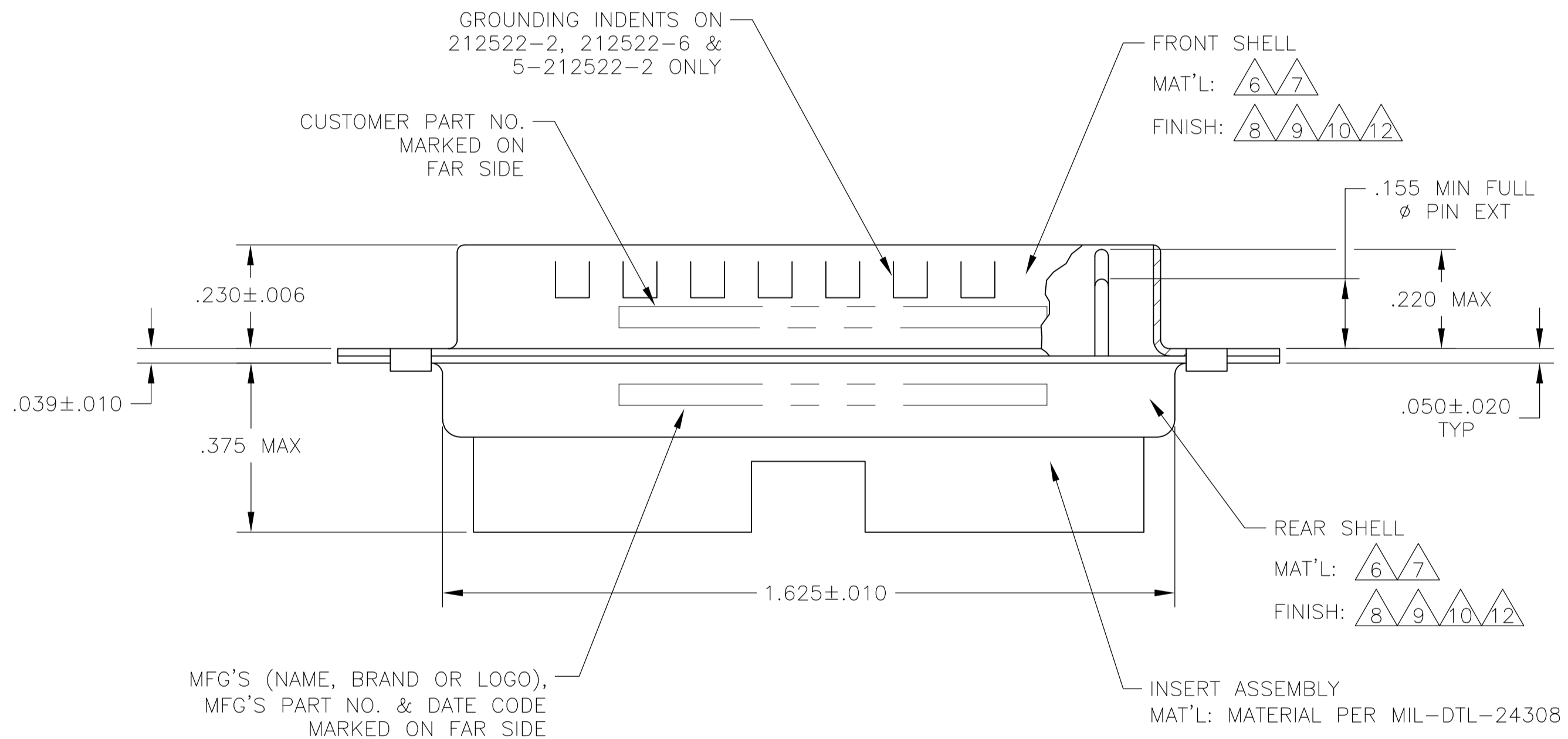


REVISONS		DATE	DWN	APVD
LOC	DIST	DESCRIPTION		
W	REVISED PER	ECO-15-016251	13NOV15	KG CD

1. THIS PLUG WILL MATE WITH ANY 21C1, SIZE 3 RECEPTACLE IN AMPLIMITE SERIES.
2. MAXIMUM WIRE INSULATION TO BE USED WITH THIS PLUG IS ϕ .068.
3. THIS CONNECTOR ACCEPTS (1) POWER 8, OR COAX PIN CONTACT IN POSITION A1, PURCHASED SEPARATELY.
4. THIS CONNECTOR ACCEPTS SIZE 20 PIN SIGNAL CONTACTS IN POSITIONS 1 THRU 20, PURCHASED SEPARATELY.



- 5 UL/CSA DESIGNATION STAMPED IN THIS AREA, OPTIONAL.
- 6 STEEL PER ASTM-A-109.
- 7 BRASS PER MIL-C-50 AND ASTM-B-36 UNS NO. C26000.
- 8 CADMIUM PLATED PER QQ-P-416.
- 9 FINISH: GOLD PLATED PER MIL-G-45204 TYPE II, GRADE C, CLASS 1 OVER COPPER PER MIL-C-14550, CLASS IV.
- 10 FINISH: TIN PER ASTM-B-545, .000400 MIN THK OVER COPPER PER AMS2418, .000050 MIN THK
- 11 212552-7 IS OBSOLETE.
- 12 FINISH: ZINC PLATE PER ASTM-B-633 .000200-.000400 THK WITH SUPPLEMENTARY CHROMATE (Cr3+).



6/10	.120	-	5-212522-2
6/12	.120	-	5-212522-1
6/10	.120	-	212522-7
6/10	.120	-	212522-6
7/9	.120	B010942-0039	212522-5
7/9	.154	311P405-14P-B-15	212522-4
7/9	.120	311P405-14P-B-12	212522-3
6/10	.120	-	212522-2
6/8	.120	-	212522-1
REMARKS	ØA	CUSTOMER P/N	PART NO.

THIS DRAWING IS A CONTROLLED DOCUMENT.

DIMENSIONS: INCHES	TOLERANCES UNLESS OTHERWISE SPECIFIED:	DIN 27-May-15 MANJUNATH G.M.	27-May-15 CHARLES THOMAS	TE Connectivity
0 PLC ± -	1 PLC ± -	2 PLC ± -	3 PLC ± .005(0.13)	4 PLC ± -
ANGLES ± 0° 30'	APPROVED: CHARLES THOMAS			NAME: PLUG ASSEMBLY
MATERIAL	FINISH	APPLICATION SPEC	SIZE: A1	RESTRICTED TO
		WEIGHT	00779	SCALE: 4:1
CUSTOMER DRAWING		SIZE: A1	DRAWING NO: 00779	SHEET 1 OF 1
		DATE: 212522	REV: W	

X-ON Electronics

Largest Supplier of Electrical and Electronic Components

Click to view similar products for te connectivity manufacturer:

Other Similar products are found below :

[570416-000](#) [CLTEQ-M81CE-SSRELAY-4-20V](#) [4-1633138-8](#) [D38999/24FJ4AN](#) [4-1195131-0](#) [650069-000](#) [SMD100-2](#) [2EDL4CM](#)
[DTS20W19-11PD-3028](#) [DTS20W19-11PD-3028-LC](#) [DTS20W19-32SD-3028-LC](#) [DTS20W19-32SD-3028](#) [NC6-P104-06](#) [TXR64AB90-](#)
[3616AI](#) [DTS26F21-41HE](#) [DTS26F21-41AE](#) [DTS26F21-41PE-LC](#) [DTS26F21-11SE-3028-LC](#) [D38999/24WF32JE](#) [D38999/24WF32SE-LC](#)
[DTS24W19-32HE](#) [D38999/20JB35HA](#) [D38999/24WJ20PA](#) [164-8033-08](#) [D38999/24FF32JE](#) [D38999/24FF32SE-LC](#) [D38999/24WF32JB](#)
[D38999/24WG11HA](#) [D38999/24WG11HN](#) [MS27467T21F11H](#) [DJT16E21-11HA](#) [DTS24F19-32HE](#) [1-532955-3](#) [DTS20W19-32SA-3028-LC](#)
[DTS24F19-11SC-3028-LC](#) [DTS24F19-11SC-3028](#) [DJT14E13-98HB](#) [D38999/20WC8BB](#) [1-330599-5](#) [DTS24F21-41HN-LC](#) [DTS24F21-](#)
[41HN](#) [DTS24F21-41AN](#) [DTS24F21-39HN](#) [DTS24F21-41PN-LC](#) [AFD50-10-6SN-1A-LC](#) [DJT10F17-26HC](#) [DTS24W19-32HB](#)
[ACT20JE99HA](#) [DJT10E17-26HC](#) [DJT10E17-26HN](#)