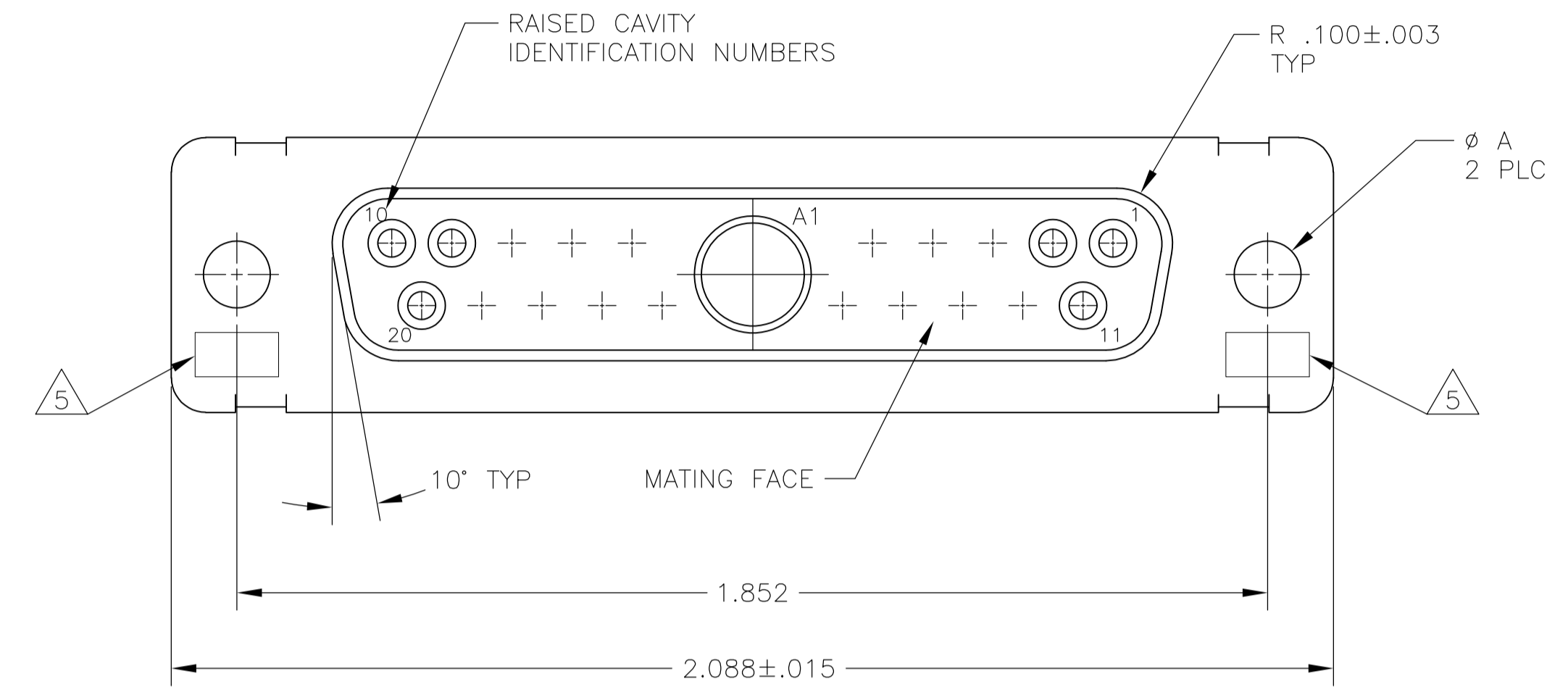
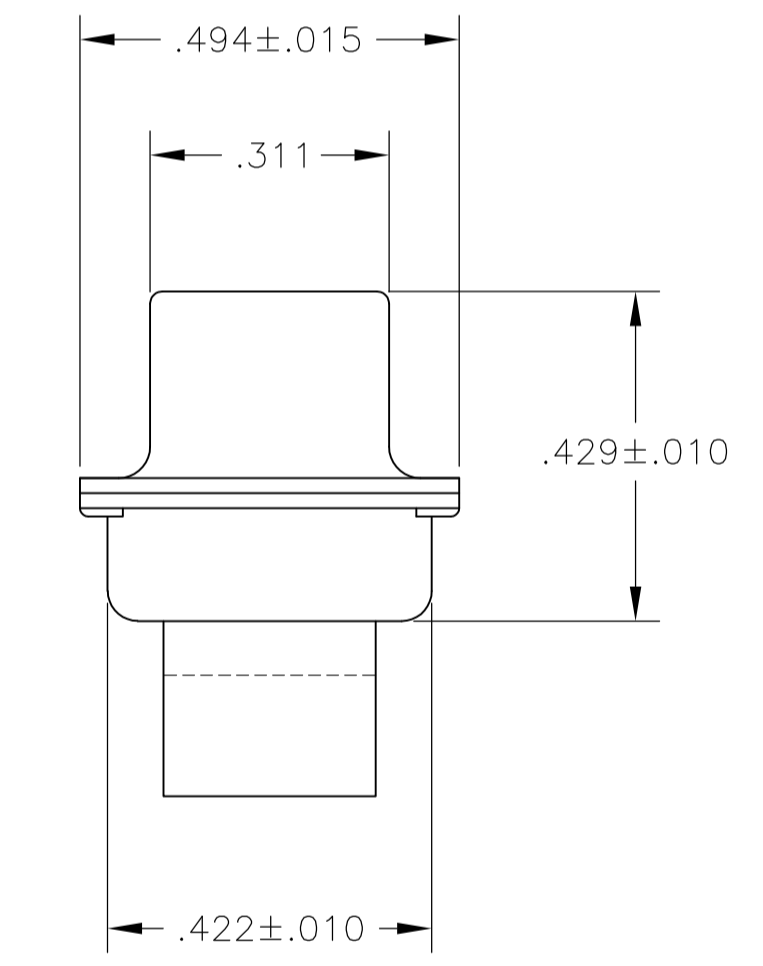
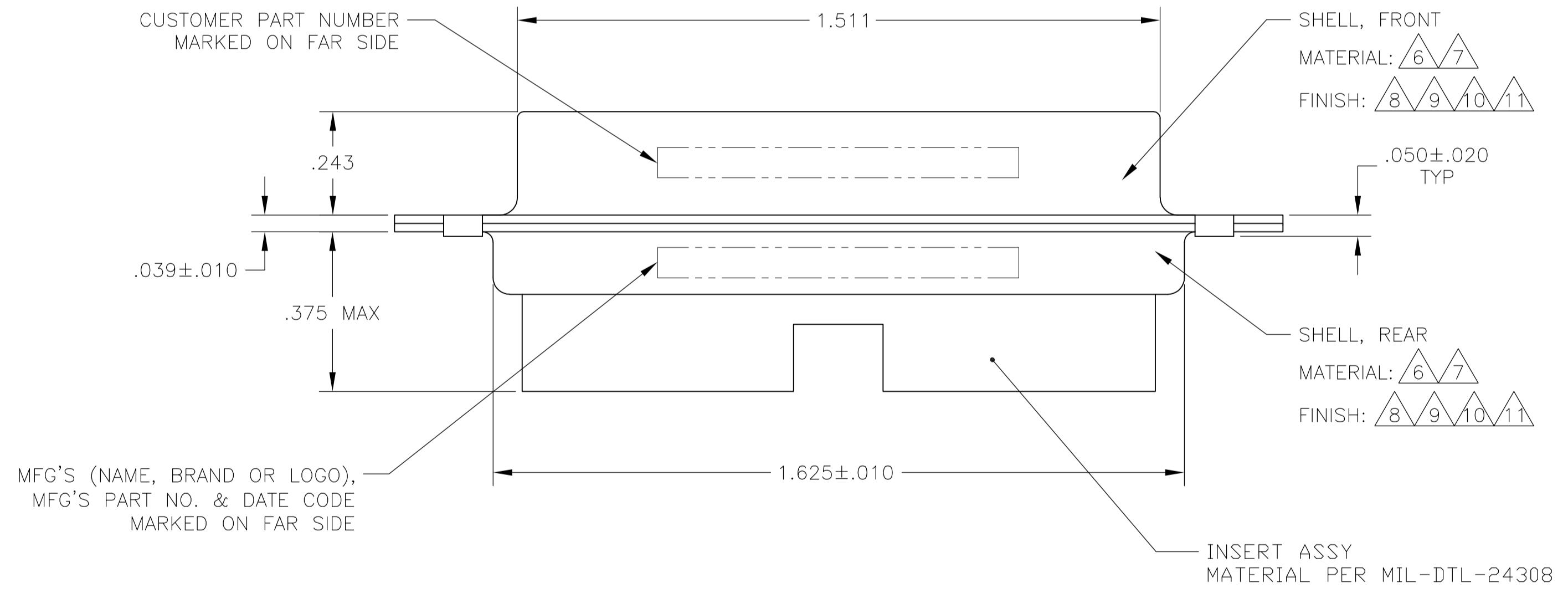


REVISONS		DATE	DNW	APVD
LOC	DIST	DESCRIPTION		
V		REV PER ECO-15-016251	13NOV15	KG CD



- THIS RECEPTACLE WILL MATE WITH ANY 21C1, SIZE 3 PLUG IN AMPLIMITE SERIES.
 - MAXIMUM WIRE INSULATION TO BE USED WITH THIS RECEPTACLE IS Ø.068.
 - THIS CONNECTOR ACCEPTS (1) SIZE 8 POWER OR COAX SOCKET CONTACT IN POSITION A1, PURCHASED SEPARATELY.
 - THIS CONNECTOR ACCEPTS SIZE 20 SOCKET SIGNAL CONTACTS IN POSITIONS 1 THRU 20, PURCHASED SEPARATELY.
- △5 UL/CSA DESIGNATION STAMPED IN THIS AREA, OPTIONAL.
 - △6 STEEL PER ASTM-A-109.
 - △7 BRASS PER MIL-C-50 AND ASTM-B-36 UNS NO. C26000.
 - △8 FINISH: CADMIUM PLATED PER QQ-P-416.
 - △9 FINISH: GOLD PLATED PER MIL-G-45204 TYPE II, GRADE C, CLASS 1 OVER COPPER PER MIL-C-14550, CLASS IV.
 - △10 FINISH: TIN PER ASTM-B-545 .000400 MIN THK OVER COPPER PER AMS2418 .000050 MIN THK.
 - △11 FINISH: ZINC PLATE PER ASTM-B-633 .000200-.000400 THK WITH SUPPLEMENTARY CHROMATE (Cr3+).



△6 △8	.120	T5935-0103-001	212526-7
△6 △10	.120	-	5-212526-2
△6 △11	.120	-	5-212526-1
△6 △10	.120	-	212526-6
△7 △9	.120	B010942-0040	212526-5
△7 △9	.154	311P405-14S-B-15	212526-4
△7 △9	.120	311P405-14S-B-12	212526-3
△6 △10	.120	-	212526-2
△6 △8	.120	-	212526-1
REMARKS	Ø A	CUSTOMER P/N	PART NO.

THIS DRAWING IS A CONTROLLED DOCUMENT.

DIMENSIONS: INCHES	TOLERANCES UNLESS OTHERWISE SPECIFIED:	DIN C.C.THOMAS 05FEB05	DRW A.FMADI 08FEB05	APVD A.FMADI 08FEB05	NAME
0 PLC ± -	1 PLC ± -	2 PLC ± -	3 PLC ± .005	4 PLC ± -	ANGLES ± 0°30'
MATERIAL SEE CALLOUTS	FINISH SEE CALLOUTS	WEIGHT	SIZE A1	CAGE CODE 00779	DRAWING NO. 212526
CUSTOMER DRAWING		SCALE 4:1	SHEET 1 OF 1	REV V	RESTRICTED TO

STE TE Connectivity
 RECEPTACLE ASSEMBLY, AMPLIMITE, 21C1 SIZE 3, SERIES 109, COAX MIX

X-ON Electronics

Largest Supplier of Electrical and Electronic Components

Click to view similar products for [D-Sub MIL Spec Connectors](#) category:

Click to view products by [TE Connectivity](#) manufacturer:

Other Similar products are found below :

[M85049/50-5F](#) [D38999/24WG11PB-LC](#) [MDM-9SH006A](#) [1218697-4](#) [D38999/26WJ61PC L/C](#) [1484349-1](#) [17D25HV](#) [1996840-1](#) [243082-15](#)
[1757682-1](#) [17D-E51218-1](#) [17SDA15S](#) [1883533-1](#) [1883886-1](#) [1883889-1](#) [192900-0377](#) [M24308/8-347](#) [M83513/03-E09C](#) [443961-3](#) [5-](#)
[1218949-1](#) [550-031NF1R6K](#) [3-1236089-2](#) [550E001NF1R3J0L](#) [550T001NF1R6K0L](#) [557T283NF5B08](#) [DB121073-56](#) [DC121073157](#)
[443869-3](#) [443869-4](#) [443869-5](#) [550S004NF1R1B0F03](#) [557E283NF1A06](#) [527-019NF0303R2K1F](#) [5-446405-1](#) [550-031NF1R2E](#)
[550E003M2R9J0F04](#) [550E003M3R9J0F05](#) [550E024M104R9J0](#) [550E024NF102R3J0B](#) [550E039NF1R3J1-02](#) [550S003M3R9B0F05](#)
[550S004M4R7M0F04](#) [550S004NF1R1B1F02](#) [550S008M3F0K0F04](#) [550S086M5R3J0L](#) [550S100NF3F0E](#) [550T001M2R7E0L](#)
[550T001NF1F0B1L](#) [550T001NF1R1K0G](#) [550T001NF1R3K0G](#)