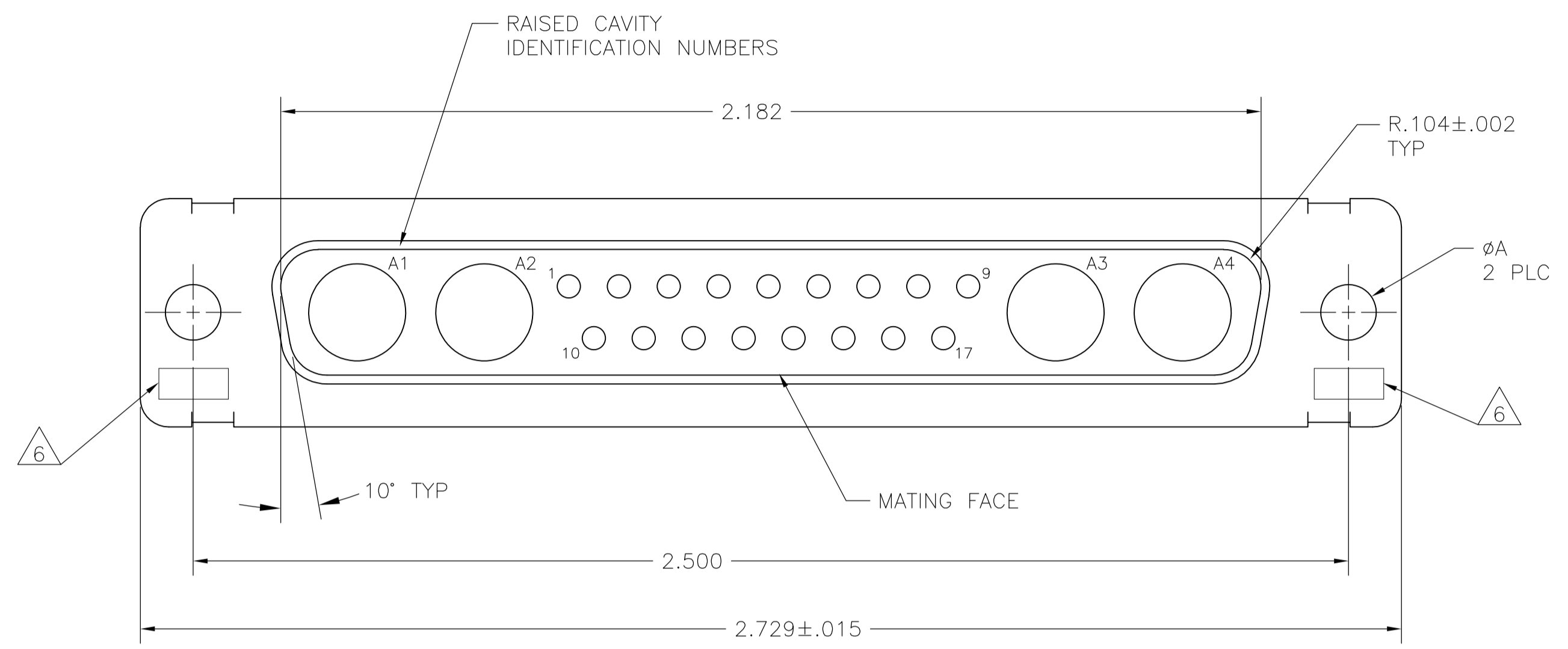
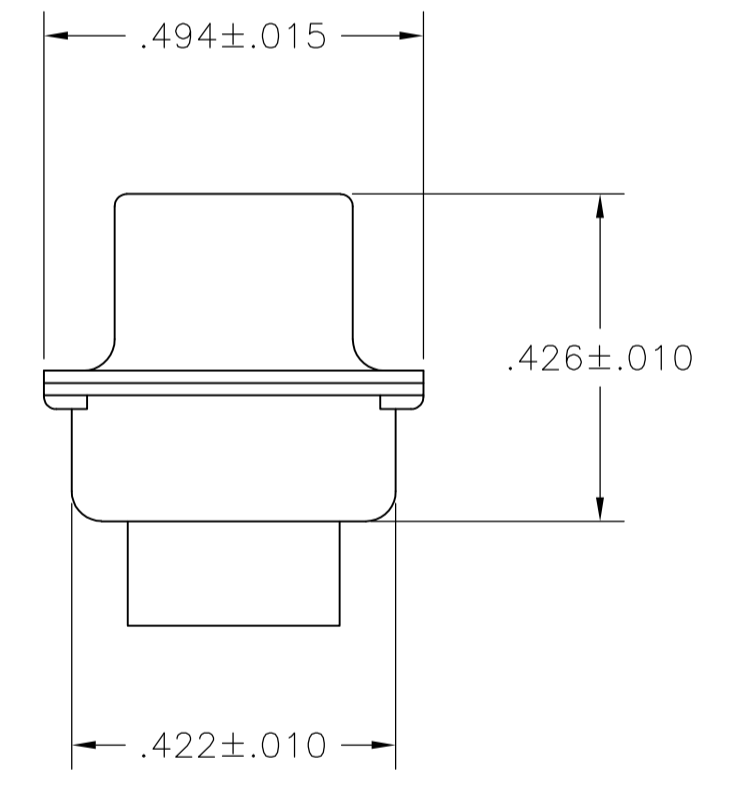
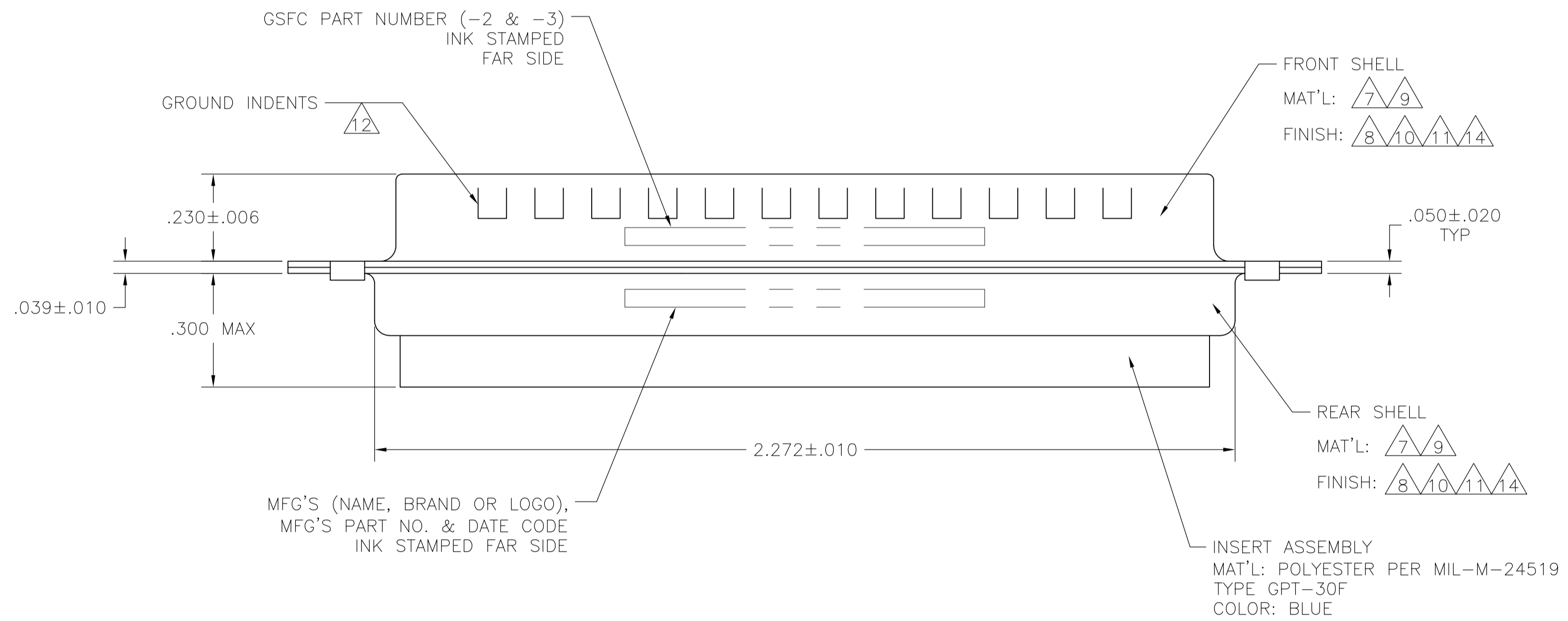


REVISONS		DATE	DWN	APVD
P	LTR	DESCRIPTION		
S		REV PER ECO-15-016251	13NOV15	KG CD

- THIS PLUG WILL MATE WITH ANY 21C4, SIZE 4 RECEPTACLE IN AMPLIMITE SERIES.
- MAXIMUM WIRE INSULATION TO BE USED WITH THIS PLUG IS $\phi.072$.
- RETENTION CLIPS (17) ARE INCLUDED IN INSERT ASSEMBLY.
- THIS CONNECTOR ACCEPTS SIZE 20 PIN CONTACTS, NOT PROVIDED, IN CAVITIES 1 THRU 17.
- CAVITIES A1 THRU A4 ACCEPTS SIZE 8 POWER OR COAX PIN CONTACTS, NOT PROVIDED. RIGHT ANGLE COAX CONTACTS WILL NOT SEAT IN THIS CONNECTOR.



- 6 UL/CSA DESIGNATION STAMPED IN THIS AREA, OPTIONAL.
- 7 MATERIAL: STEEL PER ASTM-A-109.
- 8 FINISH: CADMIUM PLATED PER QQ-P-416, TYPE II, CLASS 2.
- 9 MATERIAL: BRASS PER ASTM-B-36.
- 10 FINISH: GOLD PER MIL-G-45204, TYPE II, GRADE C, CLASS 1 OVER COPPER PER MIL-C-14550, CLASS IV.
- 11 FINISH: TIN PER ASTM-B-545 .000400 MIN THK OVER COPPER PER AMS2418 .000050 MIN THK.
- 12 GROUNDING INDENTS FOR 212530-4, 212530-5, & 5-212530-4 ONLY.
- 13 212530-6 IS OBSOLETE.
- 14 FINISH: ZINC PLATE PER ASTM-B-633 .000200-.000400 THK WITH SUPPLEMENTARY CHROMATE (Cr3+).



7, 12, 11	.120	-	5-212530-4
7, 14	.120	-	5-212530-1
7, 11	.120	-	212530-6
7, 12, 11	.120	-	212530-5
7, 11, 12	.120	-	212530-4
9, 10	.154	311P405-18P-B-15	212530-3
9, 10	.120	311P405-18P-B-12	212530-2
7, 8	.120	-	212530-1
REMARKS	ØA	GSFC P/N	PART NO.

THIS DRAWING IS A CONTROLLED DOCUMENT.

DIMENSIONS: INCHES	TOLERANCES UNLESS OTHERWISE SPECIFIED:	DIN C.C. THOMAS 21-JAN-89	APVD A. EMADI 27-JAN-88	NAME PLUG ASSEMBLY AMPLIMITE 21C4 SIZE 4, SERIES 109, COAX MIX
0 PLC ± -	1 PLC ± -	2 PLC ± -	3 PLC ± .005(0.13)	4 PLC ± ± 0'30'
MATERIAL	FINISH	WEIGHT	SCALE 4:1	SHEET 1 OF 1

STE TE Connectivity

CUSTOMER DRAWING

X-ON Electronics

Largest Supplier of Electrical and Electronic Components

Click to view similar products for [D-Sub MIL Spec Connectors](#) category:

Click to view products by [TE Connectivity](#) manufacturer:

Other Similar products are found below :

[M24308/4-13Z](#) [M8351307-B](#) [D38999/24WG11PB-LC](#) [MDM-21SH003B-K139](#) [1218697-4](#) [MS27467T21F41S](#) [MS27468T21F11P](#)
[MS27468T21F11S](#) [17D25HV](#) [1996840-1](#) [243082-15](#) [1663962-1](#) [1757682-1](#) [17D-E51218-1](#) [17SDA15S](#) [1883533-1](#) [1883886-1](#) [1883889-1](#)
[192900-0377](#) [M24308/2-3Z](#) [M24308/4-3Z](#) [M24308/4-4F](#) [M24308/4-4Z](#) [M83513/03-E09C](#) [M83723/75W2212N L/C](#) [D38999/24FJ29PN-LC](#)
[D38999/24WG11SB-LC](#) [5-1218949-1](#) [550-031NF1R6K](#) [550E001NF1R3J0L](#) [550T001NF1R6K0L](#) [C115368-1612B](#) [C115370-1717B](#)
[DC121073157](#) [443869-3](#) [443869-4](#) [443869-5](#) [550S004NF1R1B0F03](#) [550-031NF1R2E](#) [550E003M2R9J0F04](#) [550E003M3R9J0F05](#)
[550E024M104R9J0](#) [550E024NF102R3J0B](#) [550E039NF1R3J1-02](#) [550S003M3R9B0F05](#) [550S004M4R7M0F04](#) [550S004NF1R1B1F02](#)
[550S086M5R3J0L](#) [550S100NF3F0E](#) [550T001M2R7E0L](#)