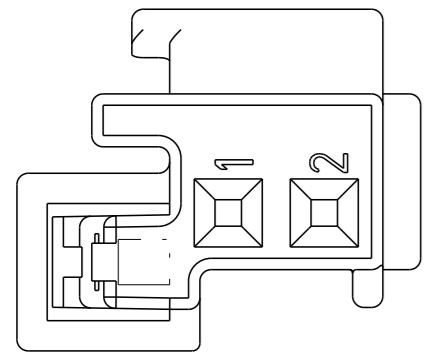
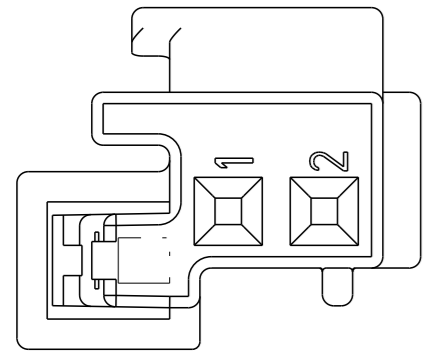


REVISIONS					
#	DATE	DESCRIPTION	DATE	OWN	APVD
A2		REVISED PER ECO-16-000849	21 JAN 2016	DD	MB
A3		REVISED PER ECO-16-001287	28 JAN 2016	DD	MB

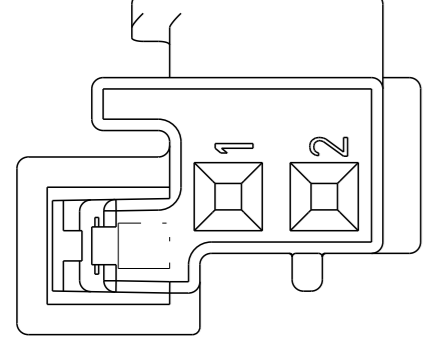
KEYING



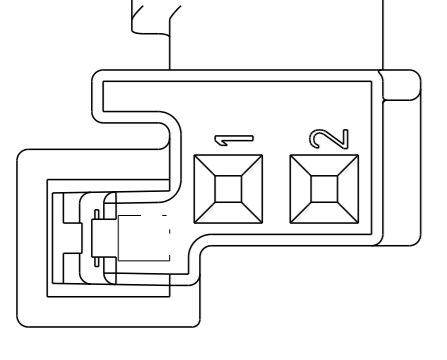
KEY CODE "A"



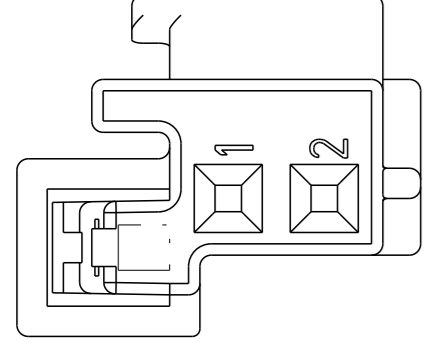
KEY CODE "B"



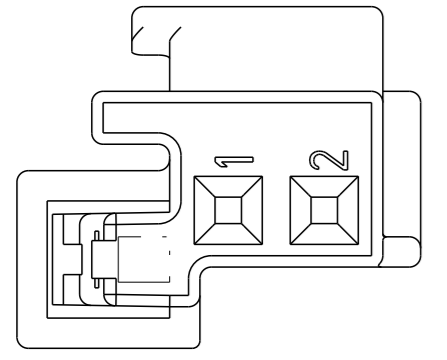
KEY CODE "C"



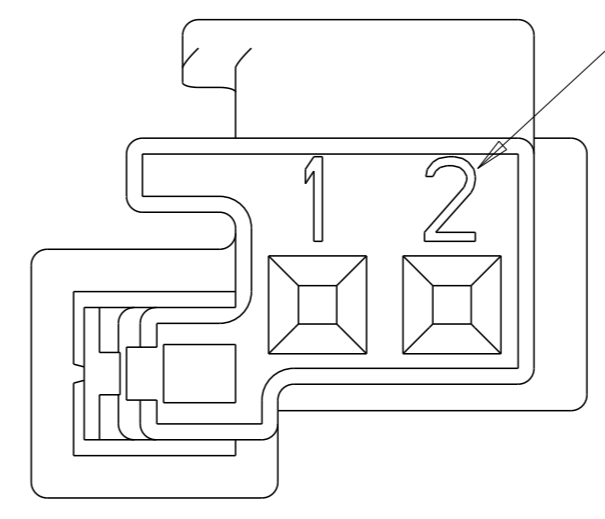
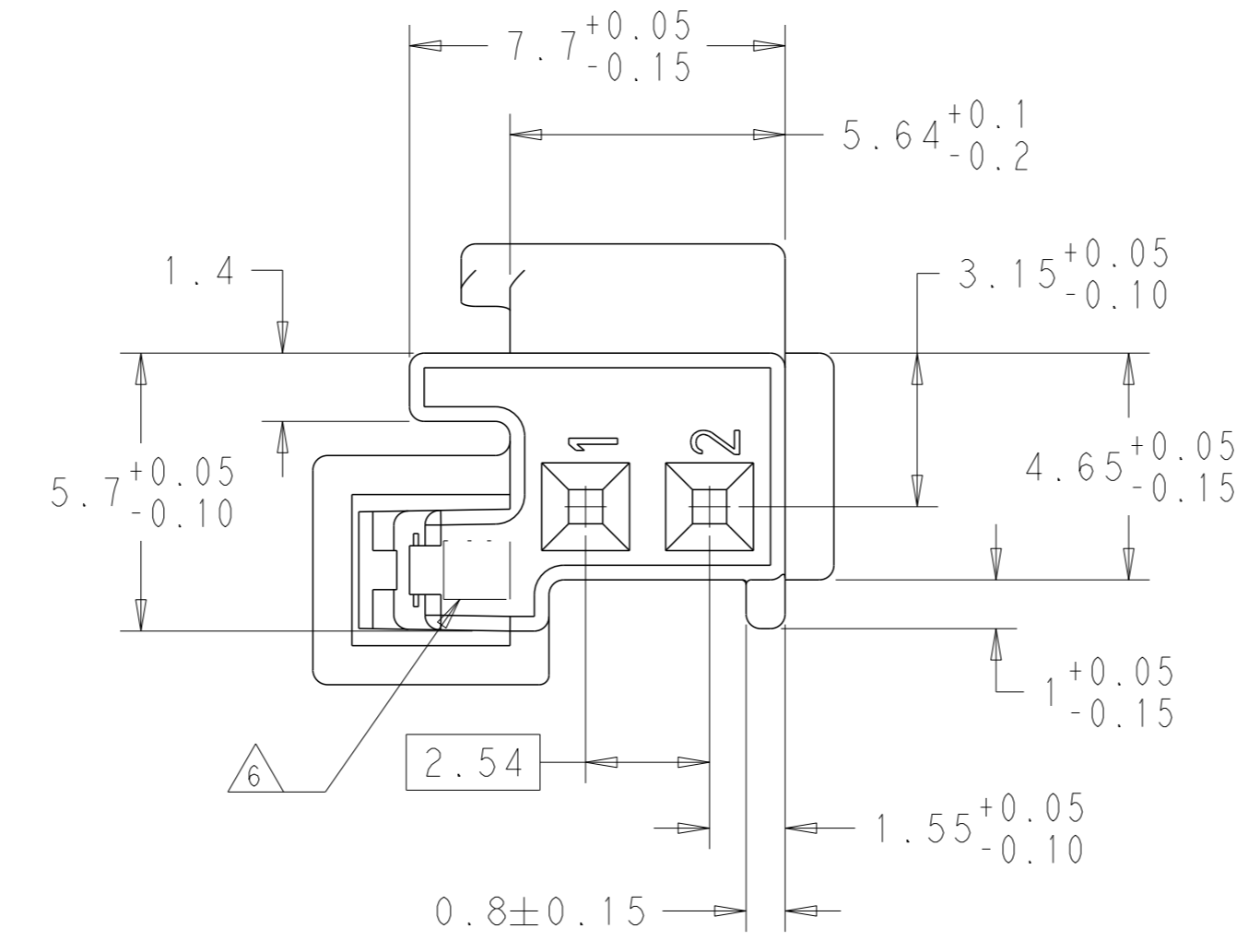
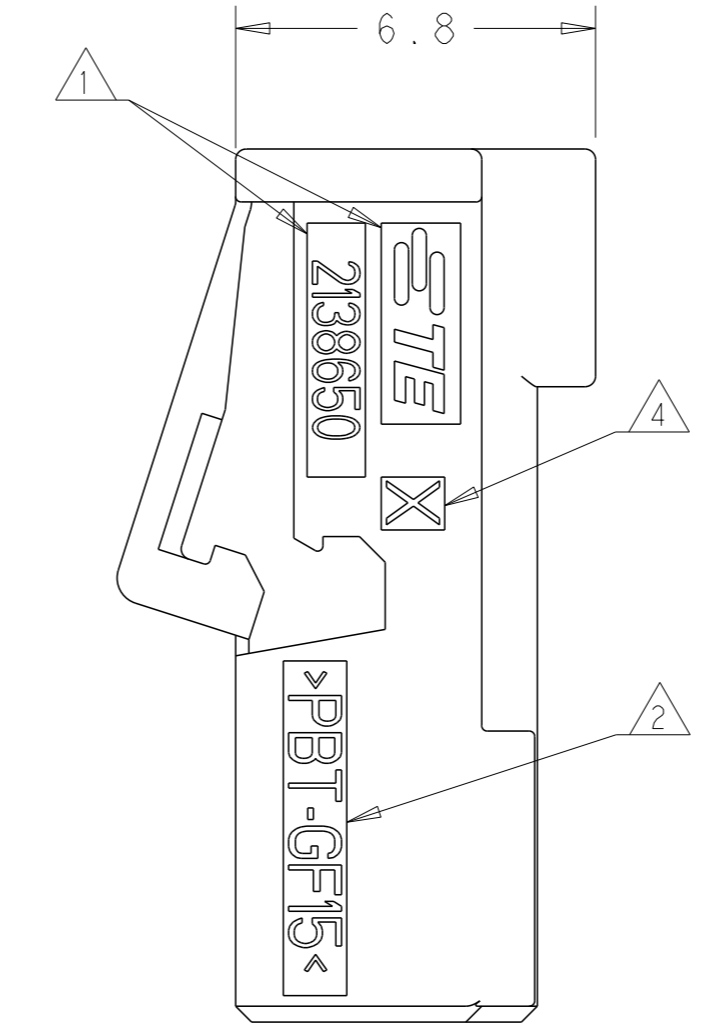
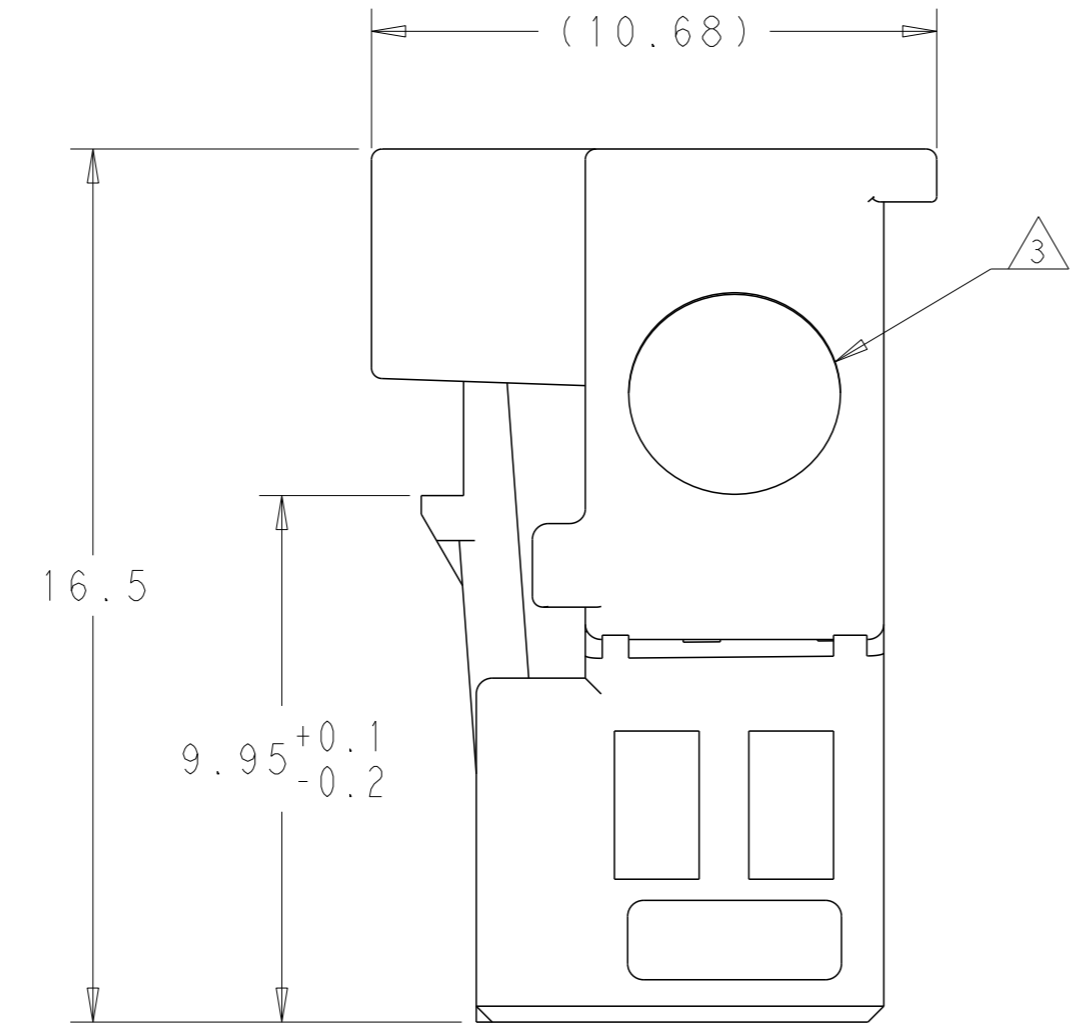
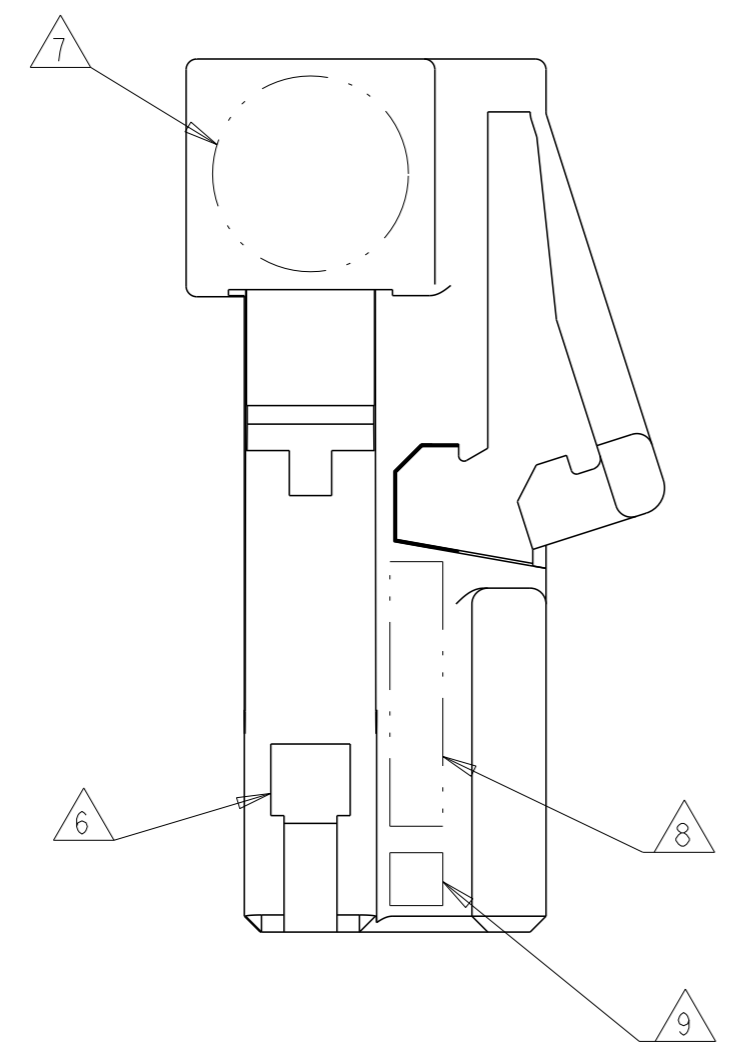
KEY CODE "D"



KEY CODE "E"

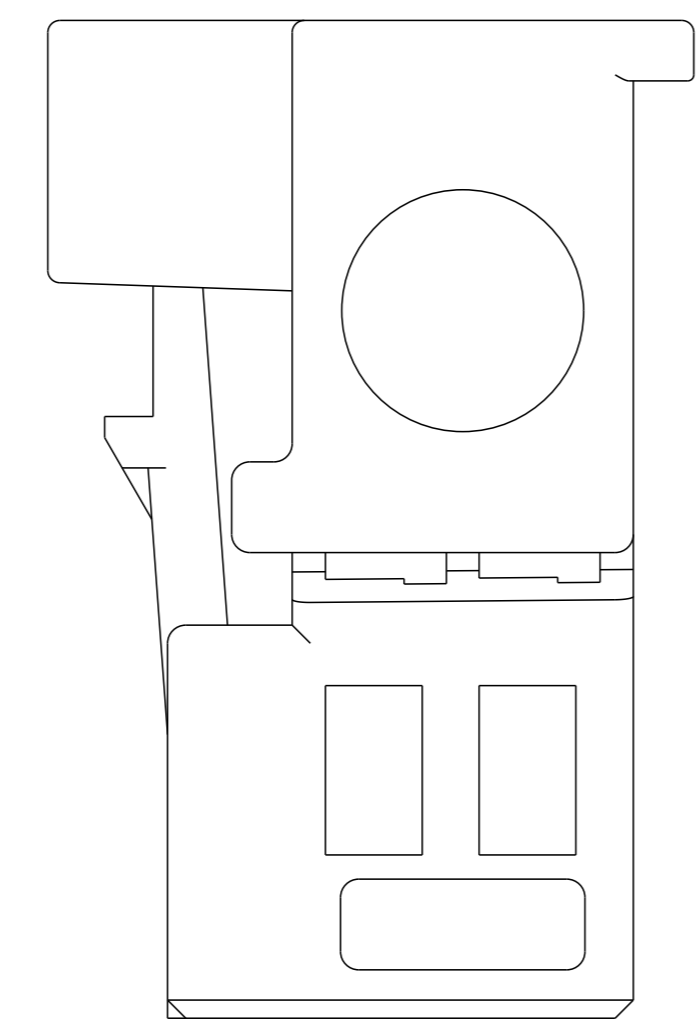


KEY CODE "F"



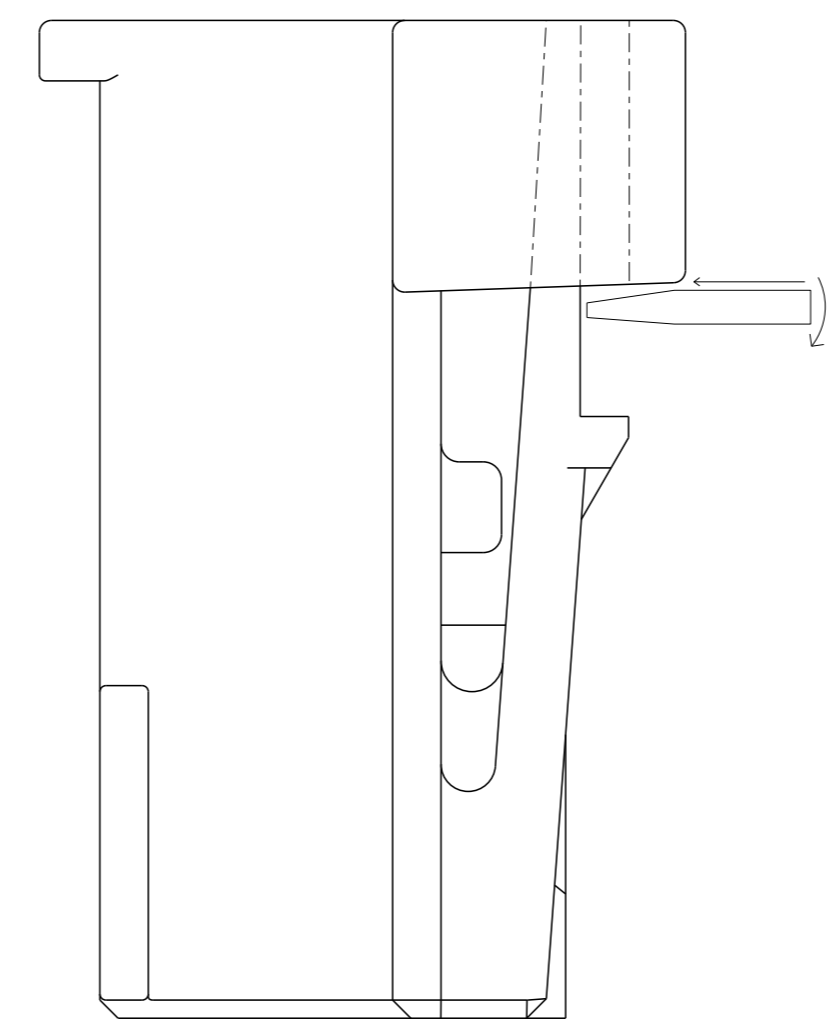
OPTIONAL CIRCUIT ID ORIENTATION

PLUG HOUSING IN FINAL LOCKED POSITION (TPA ENGAGED)



UNMATE PLUG FROM HEADER WITH SCREWDRIVER RECOMMENDED SIZE: 50 X 2.5MM

PUSH DOWN IN SPACING BETWEEN PLUG LATCH WINDOW AND HEADER TO DEPRESS LATCH THEN ROTATE SCREWDRIVER TOWARDS HEADER TO REMOVE PLUG FROM HEADER ASSEMBLY



- △ COMPANY LOGO AND PART NUMBER
- △ MATERIAL IDENTIFIER
- △ DATE WHEEL
- △ MOLD CAVITY ID
- 5. MAX WIRE SIZE RANGE 0.75mm² FLR. SEE CABLE HARNESS DRAWINGS FOR NUMBER OF CABLES CURRENT CARRYING CAPACITY FOR CONTACT LOCATED IN MICRO QUADLOCK SYSTEM PRODUCT SPECIFICATION: 108-18030
- △ OPTIONAL VOID CORING
- △ OPTIONAL DATE WHEEL LOCATION
- △ OPTIONAL MATERIAL IDENTIFIER LOCATION
- △ OPTIONAL MOLD CAVITY ID LOCATION

COLOR	KEY	MATERIAL	DESCRIPTION	TE PART NUMBER
GREEN	E	PBT-GF15	2 POSN MOS PLUG	5-2138650-1
VIOLET	D	PBT-GF15		4-2138650-1
NATURAL	B	PBT-GF15		2-2138650-1
BLACK	A	PBT-GF15		1-2138650-1

THIS DRAWING IS A CONTROLLED DOCUMENT. OWN: PAUL ROMAN, DATE: 11OCT2011, CHK: PAUL ROMAN, DATE: 11OCT2011, APVD: PAUL ROMAN, DATE: 11OCT2011

TE Connectivity

NAME: PLUG HOUSING, 2 POSITION MOS UNSEALED (1-PIECE)

PRODUCT SPEC: -

APPLICATION SPEC: -

SIZE: A1, CAGE CODE: 00779, DRAWING NO: 2138650, RESTRICTED TO: -

MATERIAL: PBT-GF15, WEIGHT: -

CUSTOMER DRAWING

SCALE: 7:1, SHEET: 1 OF 1, REV: A3

X-ON Electronics

Largest Supplier of Electrical and Electronic Components

Click to view similar products for [Automotive Connectors](#) category:

Click to view products by [TE Connectivity](#) manufacturer:

Other Similar products are found below :

[003-018-000](#) [60403001](#) [60993906-B](#) [M902-2131](#) [M902-2161](#) [M902-2344](#) [72.330.1035.1](#) [73.353.4028.0](#) [F119300-B](#) [F166900](#) [F258300-B](#)
[F358300-B](#) [F407400](#) [F444110](#) [F487000](#) [F509500B-B](#) [827153-1](#) [8N1515-32-24P](#) [9-1326729-8](#) [925474-1](#) [928905-1](#) [964562-4](#) [968782-1](#)
[GT17SA-8DS-HU](#) [98891-1012](#) [98947-1016](#) [12004147](#) [12004475-L](#) [12010290](#) [12010309-B](#) [12015454](#) [12020219-B](#) [12041318-B](#) [12052225-](#)
[L](#) [12052466](#) [12064869](#) [12004327-B](#) [12015308](#) [12015384](#) [12015909](#) [1-21030-1](#) [12041254](#) [12041318](#) [12047946-B](#) [12047957](#) [12047957-L](#)
[12059473](#) [12066261](#) [12110546](#) [12110546-B](#)