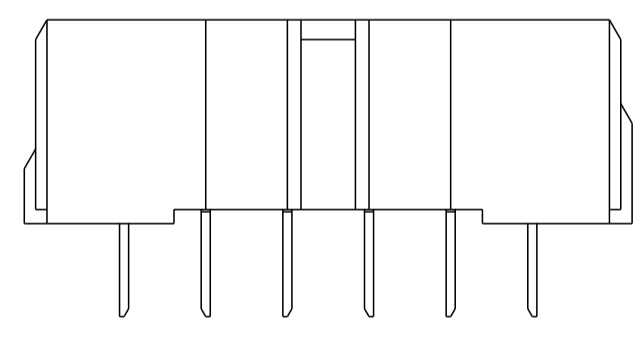
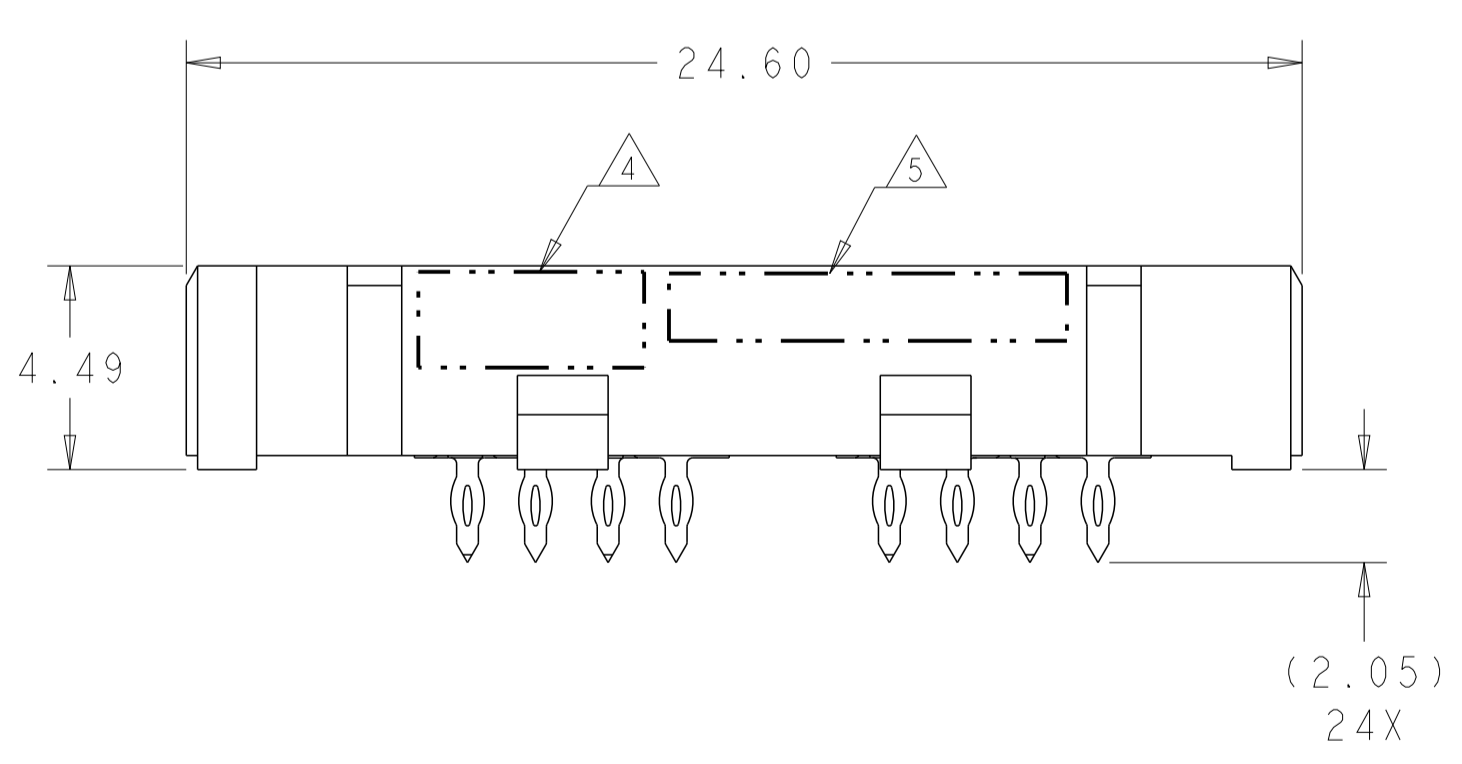
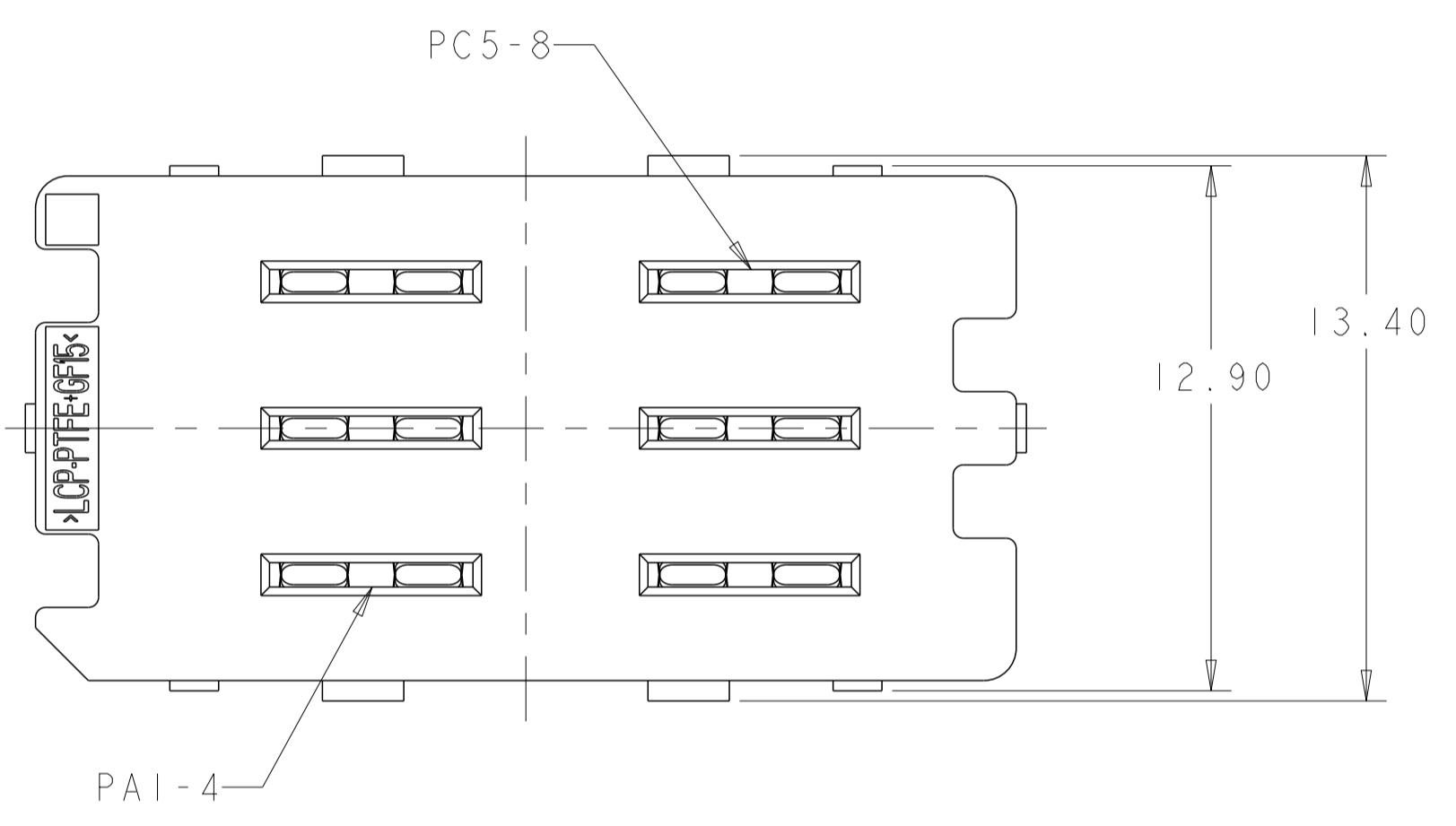
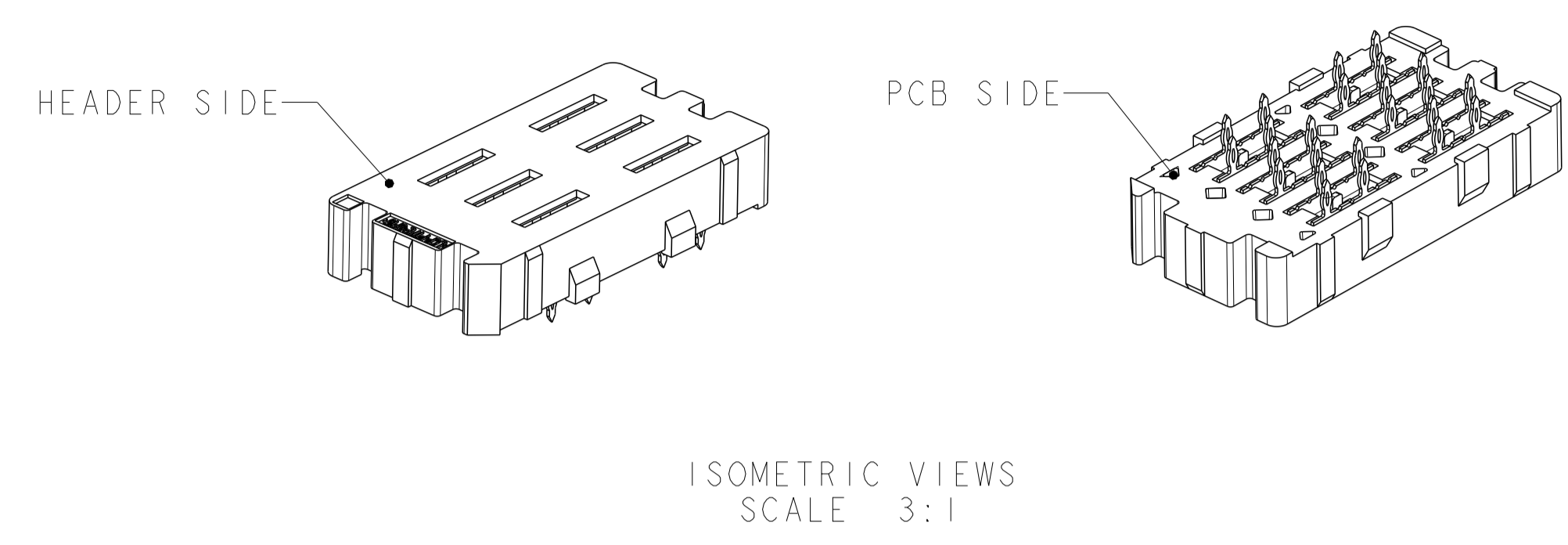


LOC		DIST		REVISIONS			
P	LTN	DESCRIPTION	DATE	DWN	APVD		
A		REVISED PER ECO-12-018933	31OCT12	KH	MH		



- △ MATERIAL:
HOUSING: THERMOPLASTIC, FLAMMABILITY RATING UL94 V-0
CONTACT: COPPER ALLOY
- 2. CONFORMS TO THE REQUIREMENTS OF TE PRODUCT SPECIFICATION, 108-2375; BASED ON TELCORDIA GR-1217-CORE FOR SYSTEM QUALITY LEVEL III, APPLICATIONS IN CONTROLLED ENVIRONMENTS (CENTRAL OFFICE).
SEE TE PRODUCT SPECIFICATION 108-2375 FOR TEST SEQUENCES.
- △ SPECIFIED POSITIONAL TOLERANCE DEFINES HOLE TO HOLE LOCATION WITHIN HOLE PATTERN. POSITIONAL TOLERANCE OF HOLE PATTERN TO FIDUCIAL MARKS OR PCB DATUMS SHALL BE DEFINED BY CUSTOMER.
- △ AREA RESERVED FOR TE CONNECTIVITY LOGO.
- △ AREA RESERVED FOR PART NUMBER (X-XXXXXXX-X) AND DATE CODE (YYWW).
- △ USE CENTER LINES INDICATED ON PCB HOLE PATTERN TO ESTABLISH ALIGNMENT BETWEEN HEADER AND RECEPTACLE BOARDS.
- △ PLATED THROUGH HOLE REQUIREMENTS:
HOLE SIZE PRIOR TO PLATING = $\varnothing 0.700 \pm 0.025$
COPPER PLATING THICKNESS = 0.038 ± 0.013
CALCULATED FINISHED HOLE SIZE = $\varnothing 0.624 \pm 0.051$
THESE DIMENSIONS APPLY TO THE TOP 1.50mm OF THE PCB THICKNESS FROM THE CONNECTOR MOUNTING SIDE.

SIZE 1 HALF-WIDE *
6 POWER CONTACTS

* SIZE 2 AND SIZE 3 ARE ALSO AVAILABLE

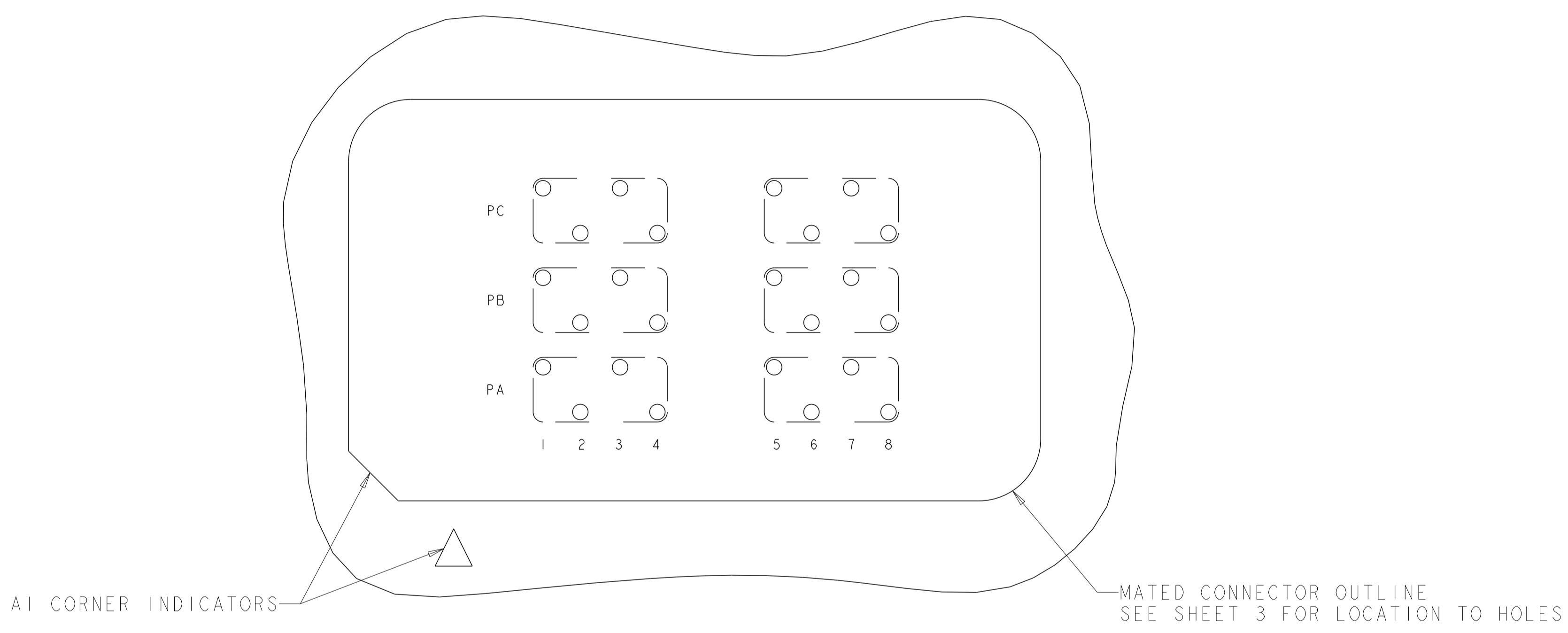
YES	MATTE Sn	5-2149521-1
	Sn/Pb	2149521-1
TOOLED	CONTACT TAIL PLATING	PART NUMBER

DIMENSIONS:		TOLERANCES UNLESS OTHERWISE SPECIFIED:	
mm	0 PLC	±	
	1 PLC	±	.13
	2 PLC	±	.013
	3 PLC	±	.013
	4 PLC	±	.013
	ANGLES	±	
	FINISH	±	

THIS DRAWING IS A CONTROLLED DOCUMENT.		DWN HAMNER 02NOV2010	TE Connectivity	
		CHK D. TROUT 03NOV2010		
		APVD J. FEDDER 03NOV2010		
		PRODUCT SPEC		
		108-2375		
		APPLICATION SPEC		
		114-13249		
		WEIGHT		
		Customer Drawing		
		SCALE 6:1		
		SHEET 1 OF 3		
		REV A		

THIS DRAWING IS UNPUBLISHED. RELEASED FOR PUBLICATION 20
 © COPYRIGHT 20 BY - ALL RIGHTS RESERVED.

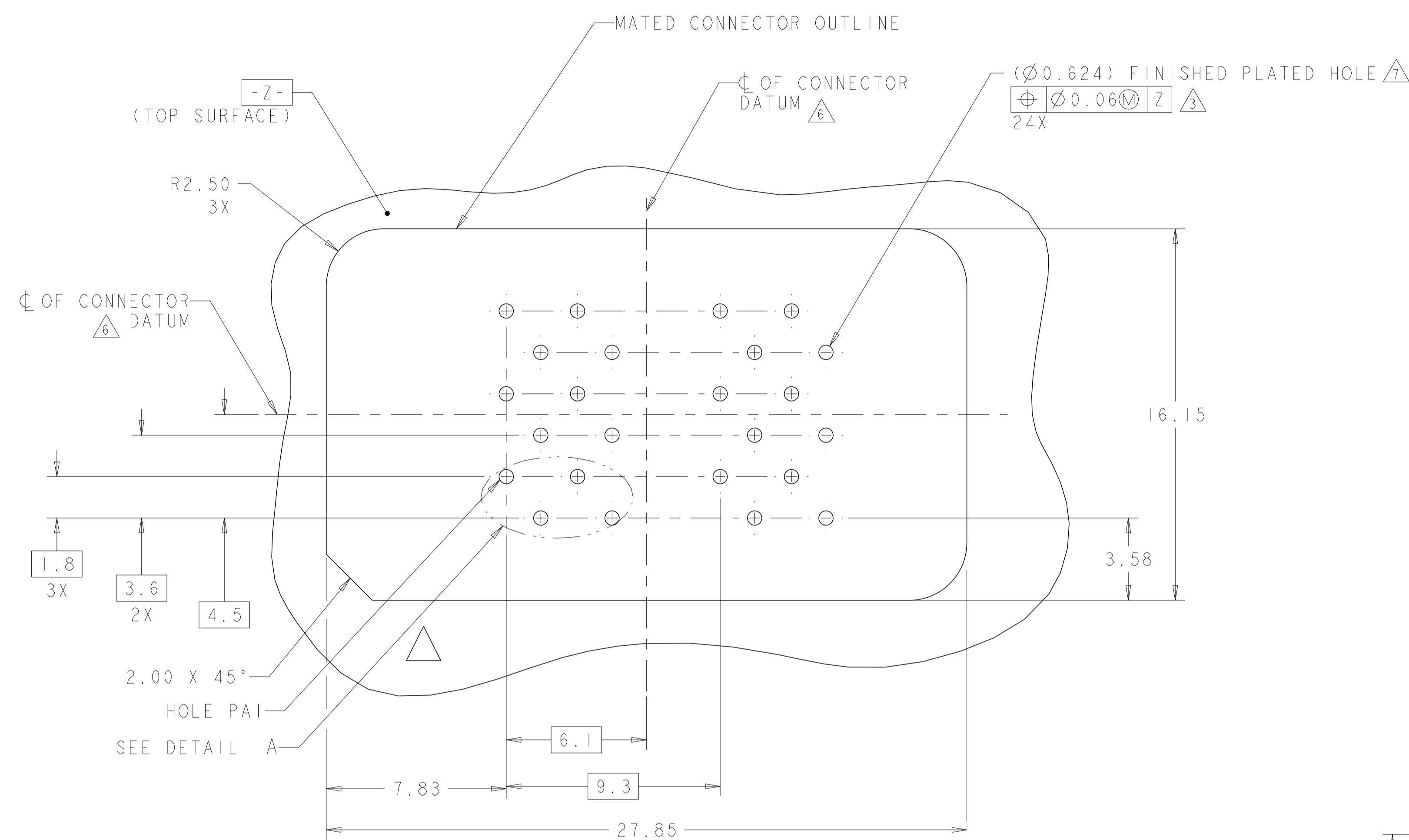
LOC	DIST	REVISIONS					
		P	LTN	DESCRIPTION	DATE	DWN	APVD
GP	00	-	-	SEE SHEET 1	-	-	-



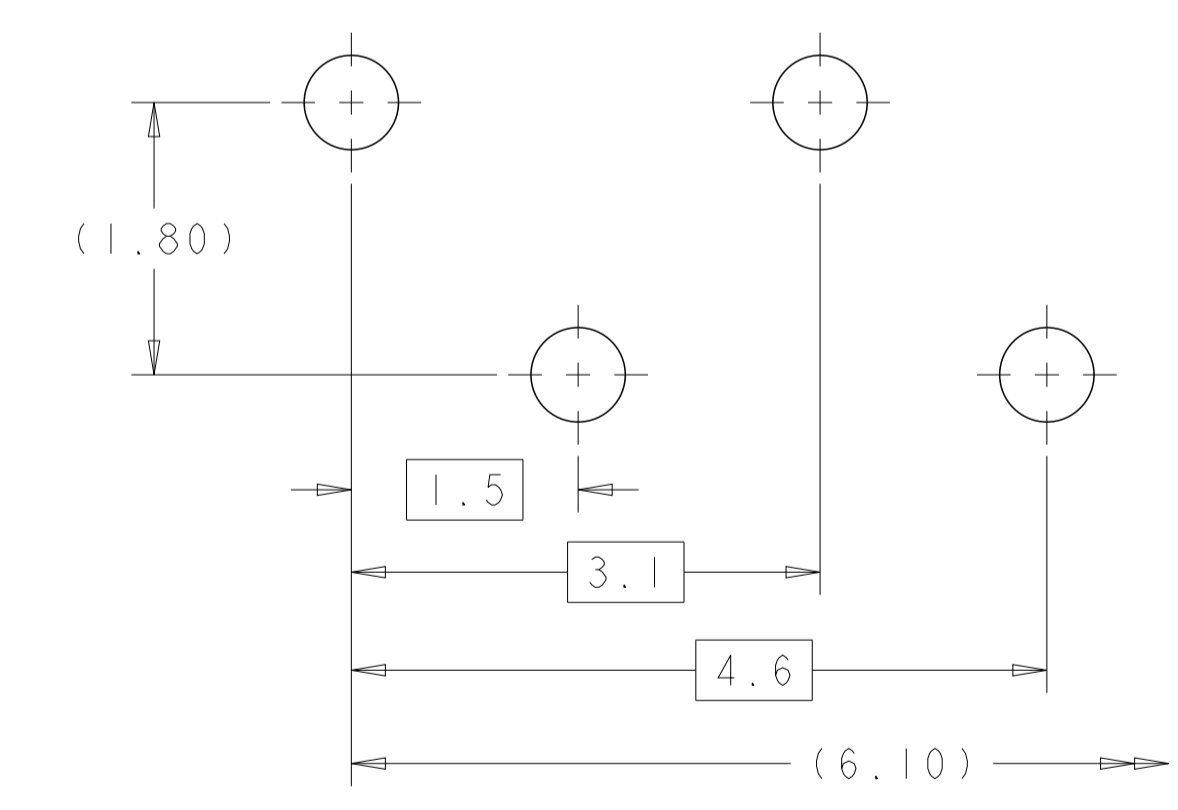
PCB LAYOUT AND PIN IDENTIFICATION
 SHOWN FROM CONNECTOR SIDE
 SCALE 7:1

THIS DRAWING IS A CONTROLLED DOCUMENT.		DWN HAMNER 02NOV2010	TE Connectivity
DIMENSIONS:		CHK D. TROUT 03NOV2010	
mm	TOLERANCES UNLESS OTHERWISE SPECIFIED:	APVD J. FEDDER 03NOV2010	NAME RECEPTACLE ASSEMBLY, HALF-WIDE, 6P, STRADA MESA MEZZANINE CONNECTOR
0 PLC ±	1 PLC ±	PRODUCT SPEC 108-2375	SIZE A100779
2 PLC ±0.13	3 PLC ±0.013	APPLICATION SPEC 114-13249	CAGE CODE C=2149521
4 PLC ±	ANGLES ±1	WEIGHT	RESTRICTED TO
MATERIAL	FINISH	Customer Drawing	SCALE 6:1 SHEET 2 OF 3 REV A


LOC		DIST		REVISIONS				
P	LTN	DATE	DMN	APVD	DESCRIPTION	DATE	DMN	APVD
-	-	-	-	-	SEE SHEET 1	-	-	-



PCB HOLE PATTERN
 SHOWN FROM CONNECTOR SIDE
 SCALE 7:1



DETAIL A
 6X
 SCALE 20:1

THIS DRAWING IS A CONTROLLED DOCUMENT.		DWN HAMNER 02NOV2010	 TE Connectivity
DIMENSIONS: mm		CHK D. TROUT 03NOV2010	
TOLERANCES UNLESS OTHERWISE SPECIFIED:		APVD J. FEDDER 03NOV2010	NAME RECEPTACLE ASSEMBLY, HALF-WIDE, 6P, STRADA MESA MEZZANINE CONNECTOR
0 PLC \pm		PRODUCT SPEC	SIZE CAGE CODE DRAWING NO RESTRICTED TO
1 PLC ± 0.13		108-2375	A100779C=2149521
2 PLC ± 0.013		APPLICATION SPEC	SCALE 6:1 SHEET 3 OF 3 REV A
3 PLC \pm		114-13249	
4 PLC \pm		WEIGHT	
ANGLES ± 1		Customer Drawing	
FINISH			

X-ON Electronics

Largest Supplier of Electrical and Electronic Components

Click to view similar products for [High Speed/Modular Connectors](#) category:

Click to view products by [TE Connectivity](#) manufacturer:

Other Similar products are found below :

[2332816-1](#) [89006-1137LF](#) [650827-1](#) [65762-001LF](#) [73474-201LF](#) [74040-1346](#) [74075-0267](#) [1410191-1](#) [1410337-1](#) [1410368-3](#) [1410964-2](#)
[1410367-3](#) [1410971-4](#) [1467833-1](#) [2000877-1](#) [2000878-1](#) [2041314-1](#) [2065387-1](#) [2187307-1](#) [2187462-1](#) [91290-101LF](#) [163P](#) [1934290-1](#)
[2000875-1](#) [2065917-1](#) [2102736-2](#) [FSR-40](#) [2169868-2](#) [22354-8](#) [437-5040-000](#) [5-1393565-0](#) [532449-3](#) [532803-2](#) [34745-0001](#) [1-1393708-5](#)
[73774-1000](#) [532939-1](#) [5-531355-3](#) [85838-180LF](#) [HM1S43TRR460H6PLF](#) [0760205010](#) [0782341022](#) [1-966831-4](#) [3-1469268-7](#) [77427-121LF](#)
[74748-102LF](#) [10009542-001LF](#) [73983-A001LF](#) [10041743-101LF](#) [10066670-100002LF](#)