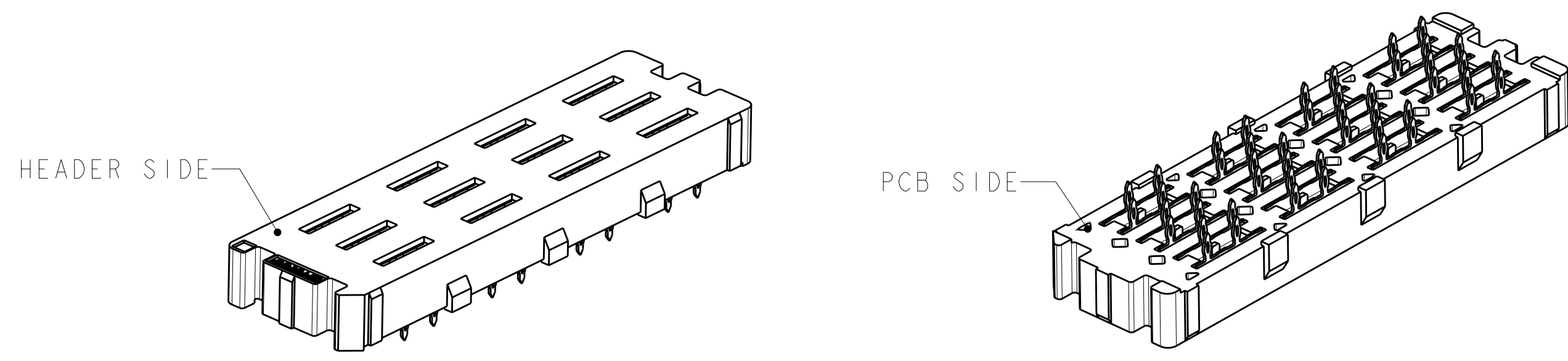
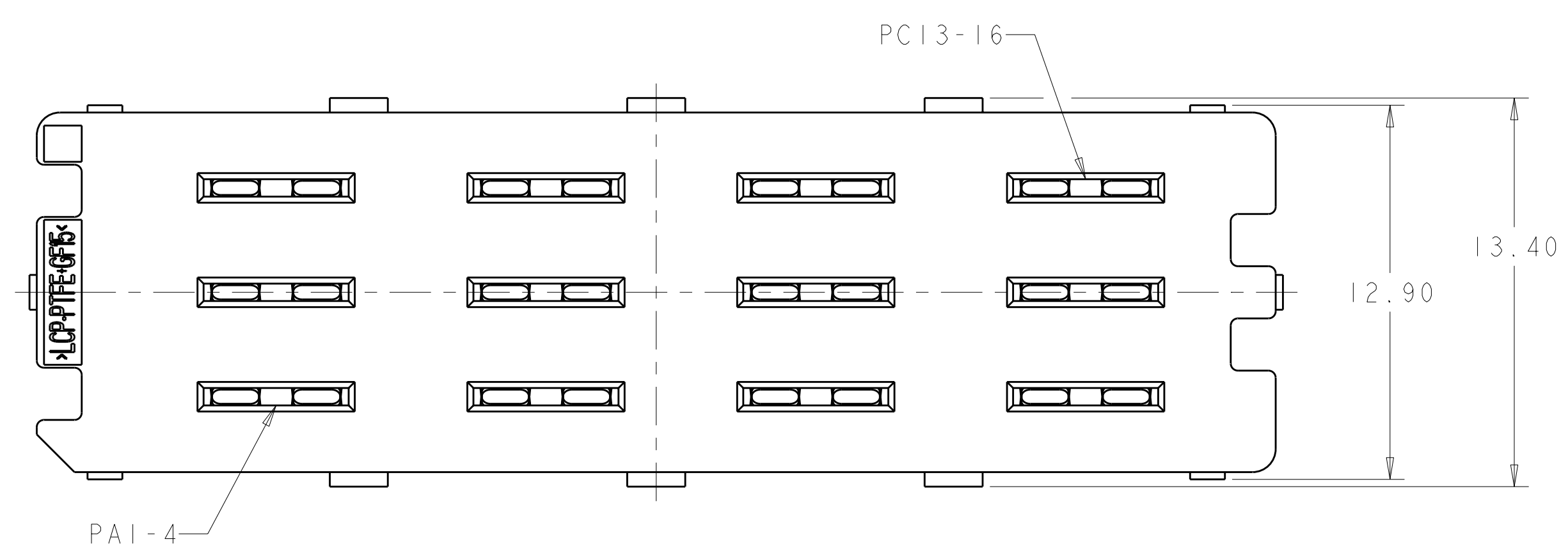


LOC	DIST	REVISIONS			
GP	00	REV	DATE	DWN	APVD
		2	REVISÉ	12 JAN 2011	WS MH
		3	REVISÉ	14 MAY 2012	REH DT



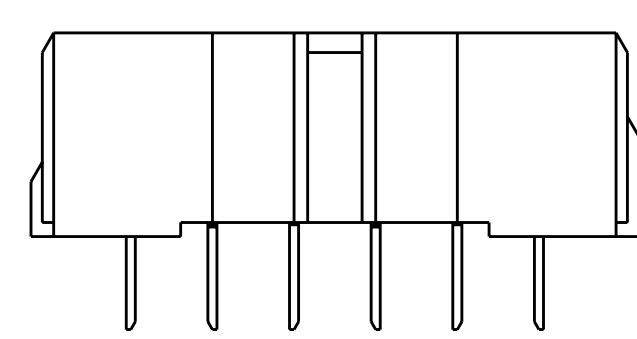
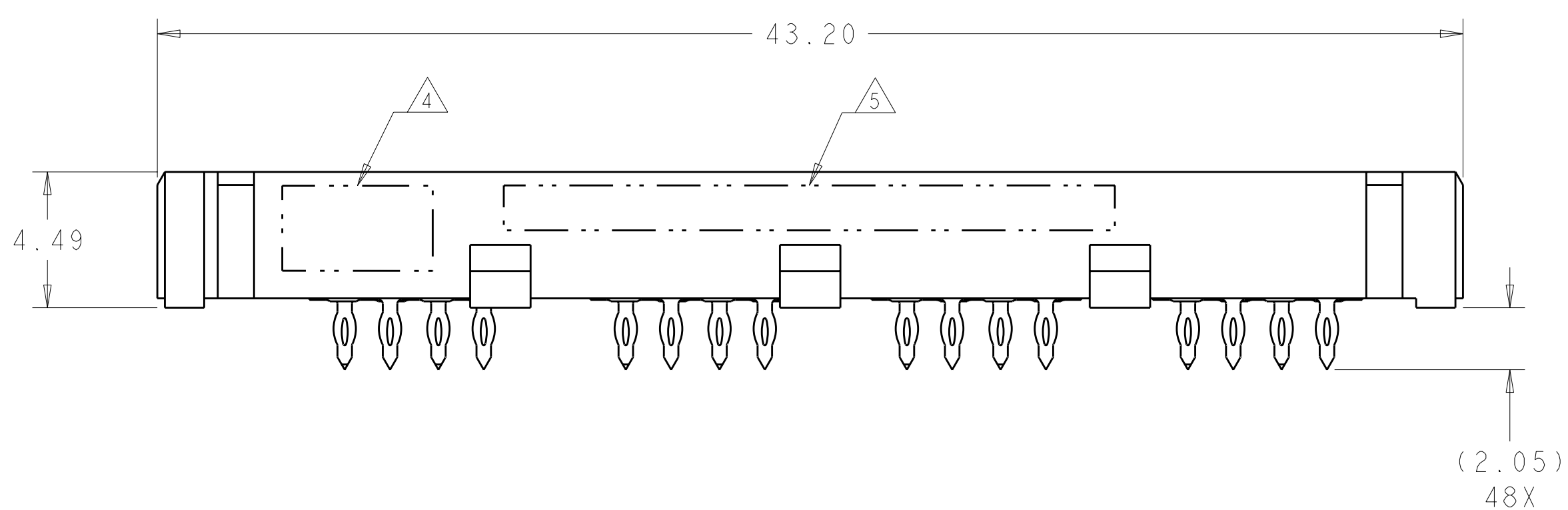
ISOMETRIC VIEWS  
SCALE 3:1

- 1 MATERIAL:  
HOUSING: THERMOPLASTIC, FLAMMABILITY RATING UL94 V-0  
CONTACT: COPPER ALLOY
- 2. CONFORMS TO THE REQUIREMENTS OF TE PRODUCT SPECIFICATION, 108-2375; BASED ON TELCORDIA GR-1217-CORE FOR SYSTEM QUALITY LEVEL III, APPLICATIONS IN CONTROLLED ENVIRONMENTS (CENTRAL OFFICE).  
SEE TE PRODUCT SPECIFICATION 108-2375 FOR TEST SEQUENCES.
- 3 SPECIFIED POSITIONAL TOLERANCE DEFINES HOLE TO HOLE LOCATION WITHIN HOLE PATTERN. POSITIONAL TOLERANCE OF HOLE PATTERN TO FIDUCIAL MARKS OR PCB DATUMS SHALL BE DEFINED BY CUSTOMER.
- 4 AREA RESERVED FOR TE CONNECTIVITY LOGO.
- 5 AREA RESERVED FOR PART NUMBER (X-XXXXXX-X) AND DATE CODE (YYWW).
- 6 USE CENTER LINES INDICATED ON PCB HOLE PATTERN TO ESTABLISH ALIGNMENT BETWEEN HEADER AND RECEPTACLE BOARDS.
- 7 PLATED THROUGH HOLE REQUIREMENTS:  
HOLE SIZE PRIOR TO PLATING =  $\varnothing 0.700 \pm 0.025$   
COPPER PLATING THICKNESS =  $0.038 \pm 0.013$   
CALCULATED FINISHED HOLE SIZE =  $\varnothing 0.624 \pm 0.051$   
THESE DIMENSIONS APPLY TO THE TOP 1.50mm OF THE PCB THICKNESS FROM THE CONNECTOR MOUNTING SIDE.



**SIZE 2 HALF-WIDE \***  
**12 POWER CONTACTS**

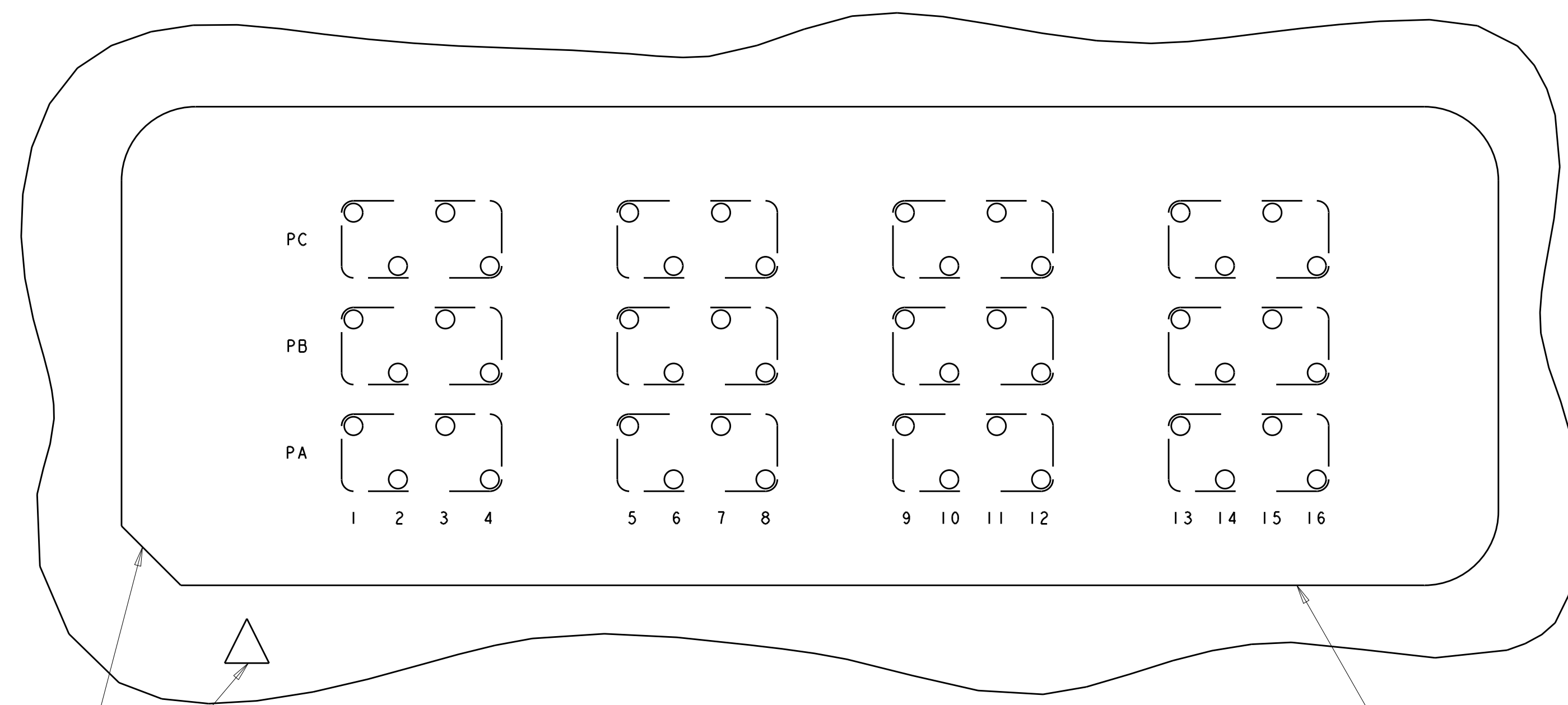
\* SIZE 1 AND SIZE 3 ARE ALSO AVAILABLE



THIS PRODUCT HAS NOT COMPLETED VALIDATION AND QUALIFICATION TESTING

THIS DRAWING IS A CONTROLLED DOCUMENT.		DWN HAMNER 28OCT2010	TE Connectivity	
DIMENSIONS: mm		CHK D. TROUT 27OCT2010	RECEPTACLE ASSEMBLY, HALF-WIDE, 12P, STRADA MESA MEZZANINE CONNECTOR	
TOLERANCES UNLESS OTHERWISE SPECIFIED:		APVD J. FEDDER 27OCT2010	SIZE CAGE CODE DRAWING NO. RESTRICTED TO	
9 PLC ±		PRODUCT SPEC 108-2375	A100779C=2149531	
1 PLC ±0.13		APPLICATION SPEC 114-13249	SCALE 6:1 SHEET 1 OF 3 REV 3	
3 PLC ±0.013		WEIGHT -		
4 PLC ±		CUSTOMER DRAWING		
ANGLES ±#1				
FINISH :				


LOC	DIST	REVISIONS			
		REV	DATE	BY	APPD
GP	00	1	-	SEE SHEET 1	-



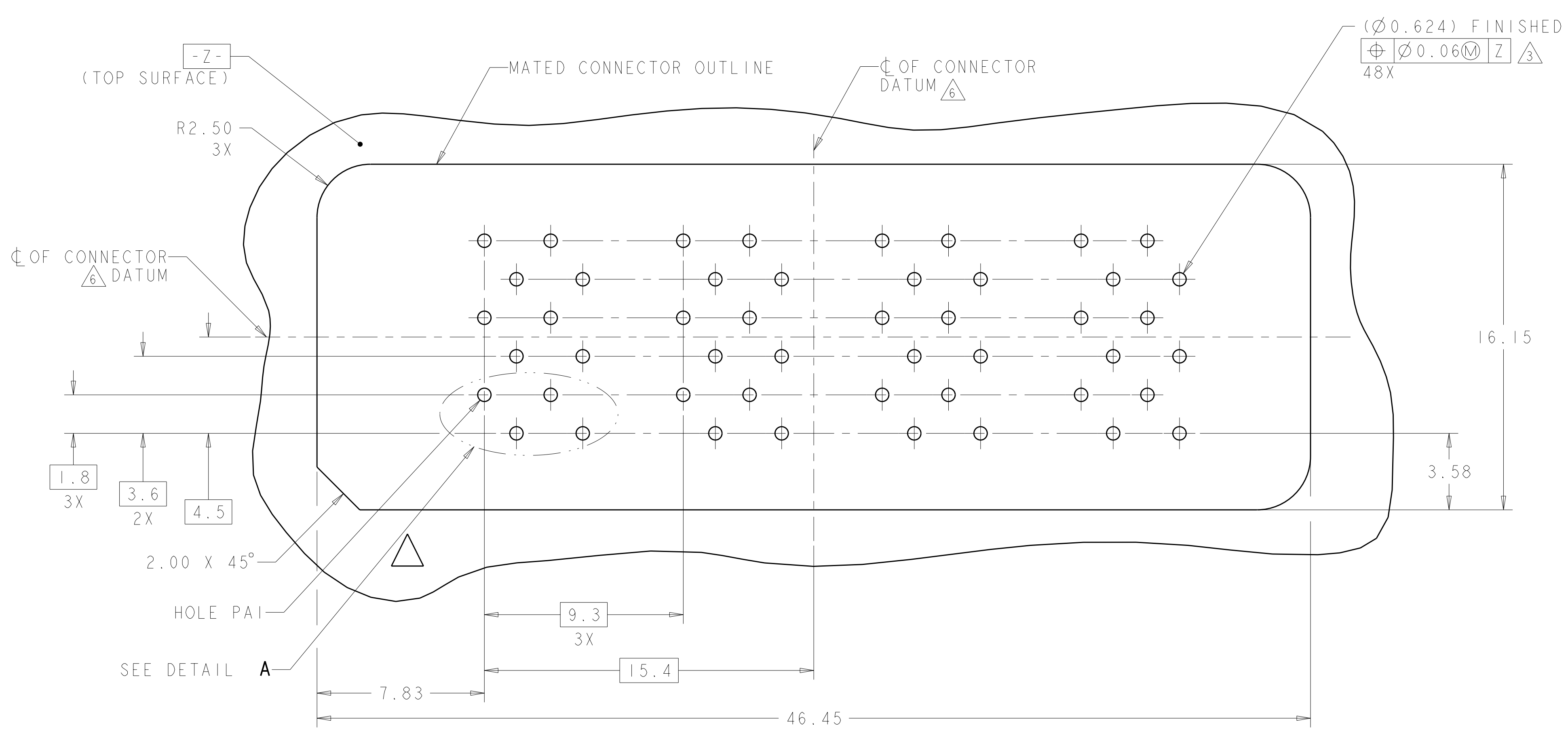
MATED CONNECTOR OUTLINE  
 SEE SHEET 3 FOR LOCATION TO HOLES

A1 CORNER  
 INDICATORS.

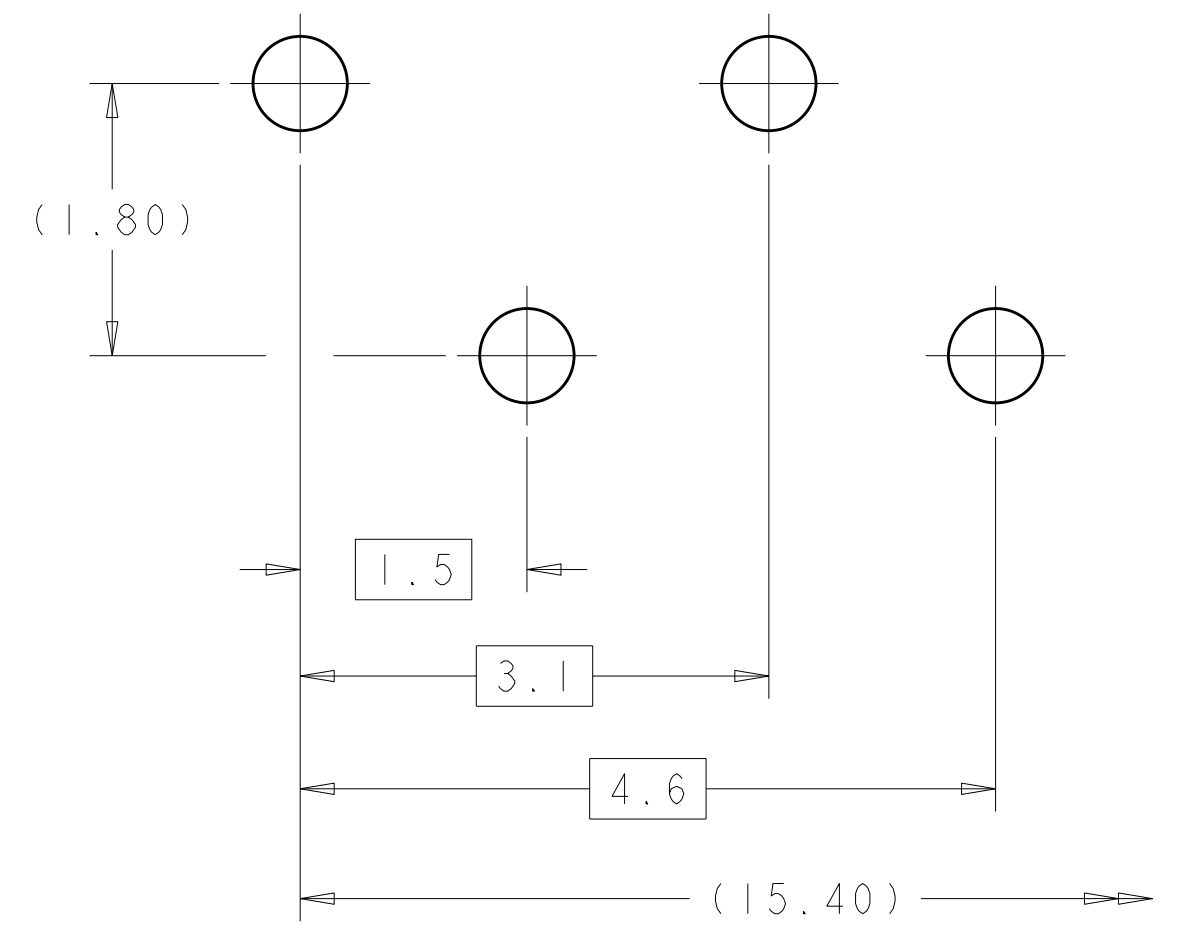
**PCB LAYOUT AND PIN IDENTIFICATION**  
 SHOWN FROM CONNECTOR SIDE  
 SCALE 7:1

THIS DRAWING IS A CONTROLLED DOCUMENT.		DWN HAMNER	28OCT2010	 TE Connectivity
DIMENSIONS: mm		CHK D. TROUT	27OCT2010	
TOLERANCES UNLESS OTHERWISE SPECIFIED:		APVD FEDEER	27OCT2010	NAME RECEPTACLE ASSEMBLY, HALF-WIDE, 12P, STRADA MESA MEZZANINE CONNECTOR
9 PLC ± 2 PLC ± 3 PLC ±0.13 4 PLC ± ANGLES ± FINISH #1		PRODUCT SPEC 108-2375	APPLICATION SPEC 114-13249	SIZE CAGE CODE DRAWING NO A100779C=2149531
MATERIAL -	FINISH -	WEIGHT -	CUSTOMER DRAWING	RESTRICTED TO -
			SCALE 6:1	SHEET 2 OF 3
				REV 3

LOC	DIST	REV	DATE	BY	APPD
GP	00				
REVISIONS					



**PCB HOLE PATTERN**  
SHOWN FROM CONNECTOR SIDE  
SCALE 7:1



**DETAIL A**  
12X  
SCALE 20:1

THIS DRAWING IS A CONTROLLED DOCUMENT.		DWN HAMNER 28OCT2010	<b>STE</b> TE Connectivity	
DIMENSIONS: mm		CHK D. TROUT 27OCT2010		
TOLERANCES UNLESS OTHERWISE SPECIFIED:		APVD FEEDER 27OCT2010	NAME RECEPTACLE ASSEMBLY, HALF-WIDE, 12P, STRADA MESA MEZZANINE CONNECTOR	
9 PLC $\pm$		PRODUCT SPEC 108-2375	SIZE CAGE CODE DRAWING NO. RESTRICTED TO	
2 PLC $\pm 0.13$		APPLICATION SPEC 114-13249	A100779C-2149531	
5 PLC $\pm 0.013$		WEIGHT	SCALE 6:1 SHEET 3 OF 3 REV 3	
4 PLC $\pm$		FINISH	CUSTOMER DRAWING	
ANGLES $\pm$				

## X-ON Electronics

Largest Supplier of Electrical and Electronic Components

*Click to view similar products for [High Speed/Modular Connectors](#) category:*

*Click to view products by [TE Connectivity](#) manufacturer:*

Other Similar products are found below :

[650827-1](#) [74040-1346](#) [1410191-1](#) [1410368-3](#) [1410964-2](#) [1410326-3](#) [1410367-3](#) [1410971-4](#) [1467833-1](#) [2000877-1](#) [2000878-1](#) [2041314-1](#)  
[2065387-1](#) [2187307-1](#) [163P](#) [1934290-1](#) [2000875-1](#) [2065917-1](#) [2102736-2](#) [FSR-40](#) [2169868-2](#) [22354-8](#) [437-5040-000](#) [5-1393565-0](#) [039-](#)  
[0246-000](#) [0761601016](#) [0784461022](#) [10123159-12ELF](#) [030-2415-003/100 PK](#) [030-7380-004](#) [030-2494-001](#) [532939-1](#) [5532901-3](#) [3-1469268-](#)  
[7](#) [74748-102LF](#) [10041743-101LF](#) [10066670-100002LF](#) [1-533915-1](#) [249-4515-000](#) [7-1469373-3](#) [DL2-2J/S](#) [2000713-8](#) [2000713-7](#)  
[10124313-101LF](#) [3011-21](#) [757105208](#) [EBTF-4-10-2.0-S-RA-1](#) [430305-001](#) [4395800100](#) [8140115](#)