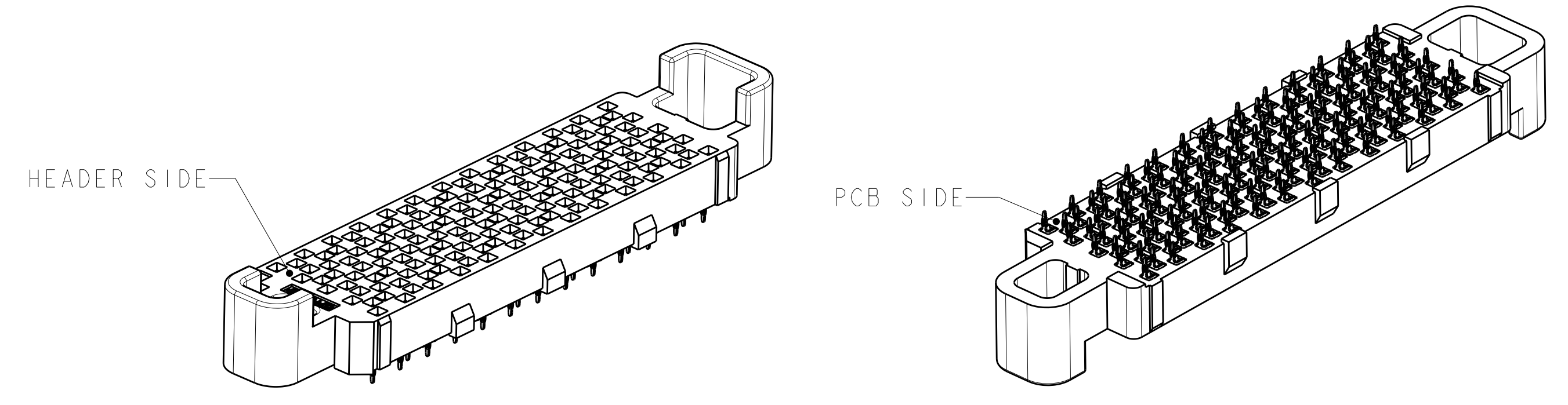
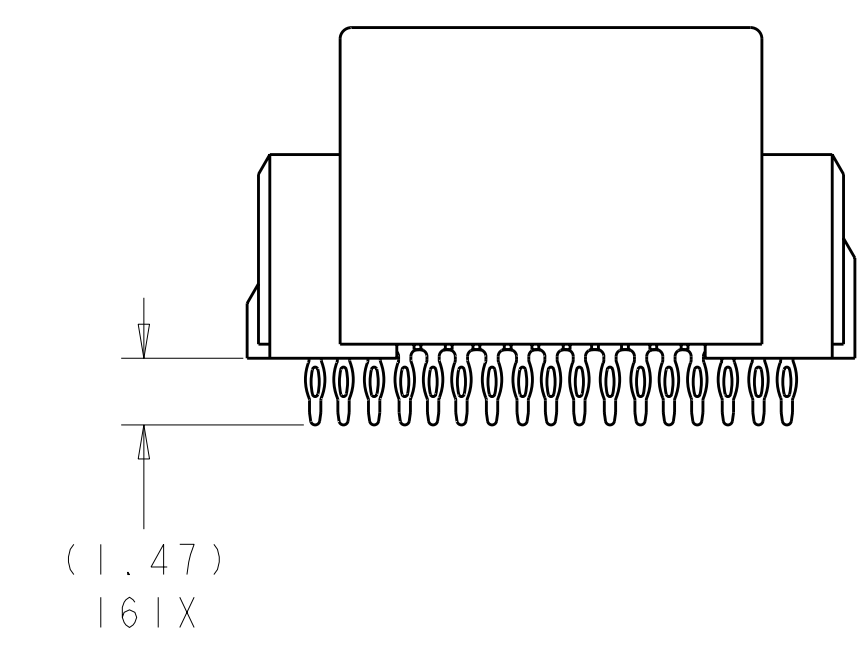
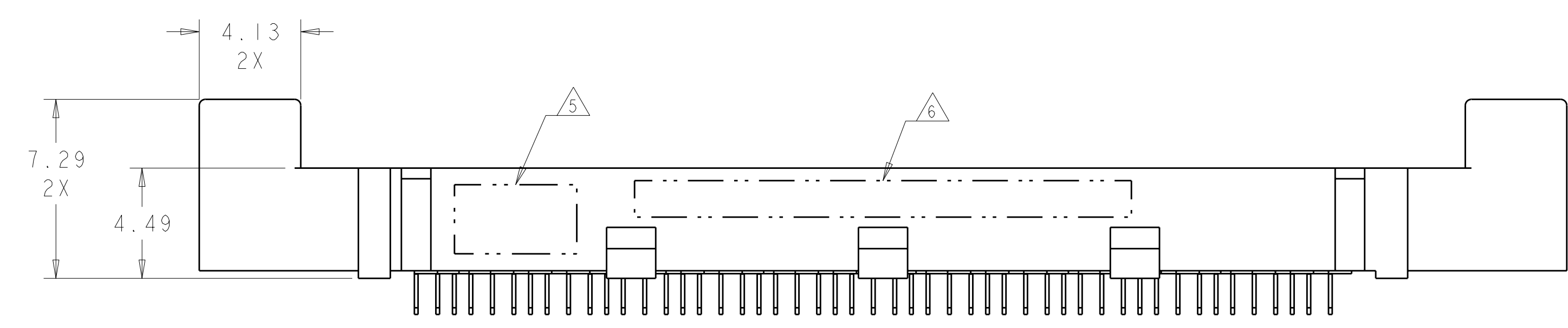
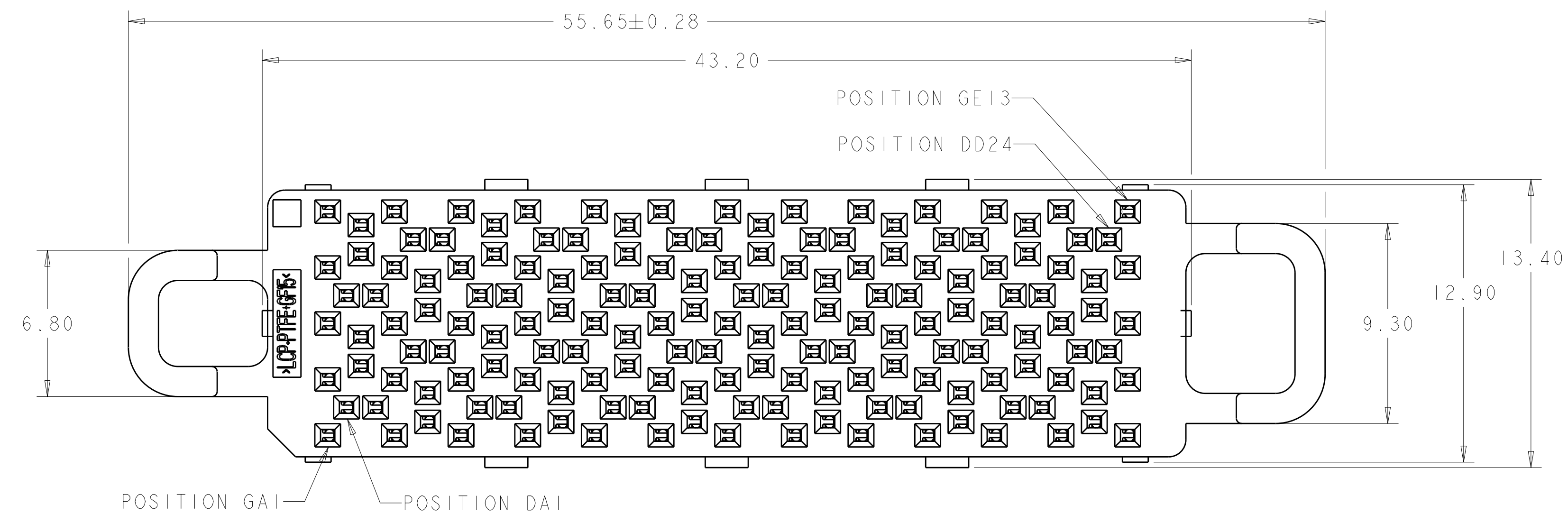


LOC	DIST	REVISIONS				
GP	00	REV	DESCRIPTION	DATE	DWN	APVD
		2	REVISED	12JAN2011	WS	MH
		3	REVISED	11MAY2012	REH	DT



ISOMETRIC VIEWS  
SCALE 3:1



- 1 MATERIAL:  
HOUSING: THERMOPLASTIC, FLAMMABILITY RATING UL94 V-0  
CONTACT: COPPER ALLOY
- 2. CONFORMS TO THE REQUIREMENTS OF TE PRODUCT SPECIFICATION, 108-2375; BASED ON TELCORDIA GR-1217-CORE FOR SYSTEM QUALITY LEVEL III, APPLICATIONS IN CONTROLLED ENVIRONMENTS (CENTRAL OFFICE).  
SEE TE PRODUCT SPECIFICATION 108-2375 FOR TEST SEQUENCES.
- 3 ROWS GA THRU GE (SHOWN DARKENED) ARE TYPICALLY USED AS GROUNDS.
- 4 SPECIFIED POSITIONAL TOLERANCE DEFINES HOLE TO HOLE LOCATION WITHIN HOLE PATTERN. POSITIONAL TOLERANCE OF HOLE PATTERN TO FIDUCIAL MARKS OR PCB DATUMS SHALL BE DEFINED BY CUSTOMER.
- 5 AREA RESERVED FOR TE CONNECTIVITY LOGO.
- 6 AREA RESERVED FOR PART NUMBER (X-XXXXXX-X) AND DATE CODE (YYWW).
- 7 USE CENTERLINES INDICATED ON PCB HOLE PATTERN TO ESTABLISH ALIGNMENT BETWEEN HEADER AND RECEPTACLE BOARDS.
- 8 PLATED THROUGH HOLE REQUIREMENTS:  
HOLE SIZE PRIOR TO PLATING =  $\varnothing 0.420 \pm 0.013$   
COPPER PLATING THICKNESS =  $0.038 \pm 0.013$   
CALCULATED FINISHED HOLE SIZE =  $\varnothing 0.344 \pm 0.039$   
THESE DIMENSIONS APPLY TO THE TOP 1.25mm OF THE PCB THICKNESS FROM THE CONNECTOR MOUNTING SIDE.

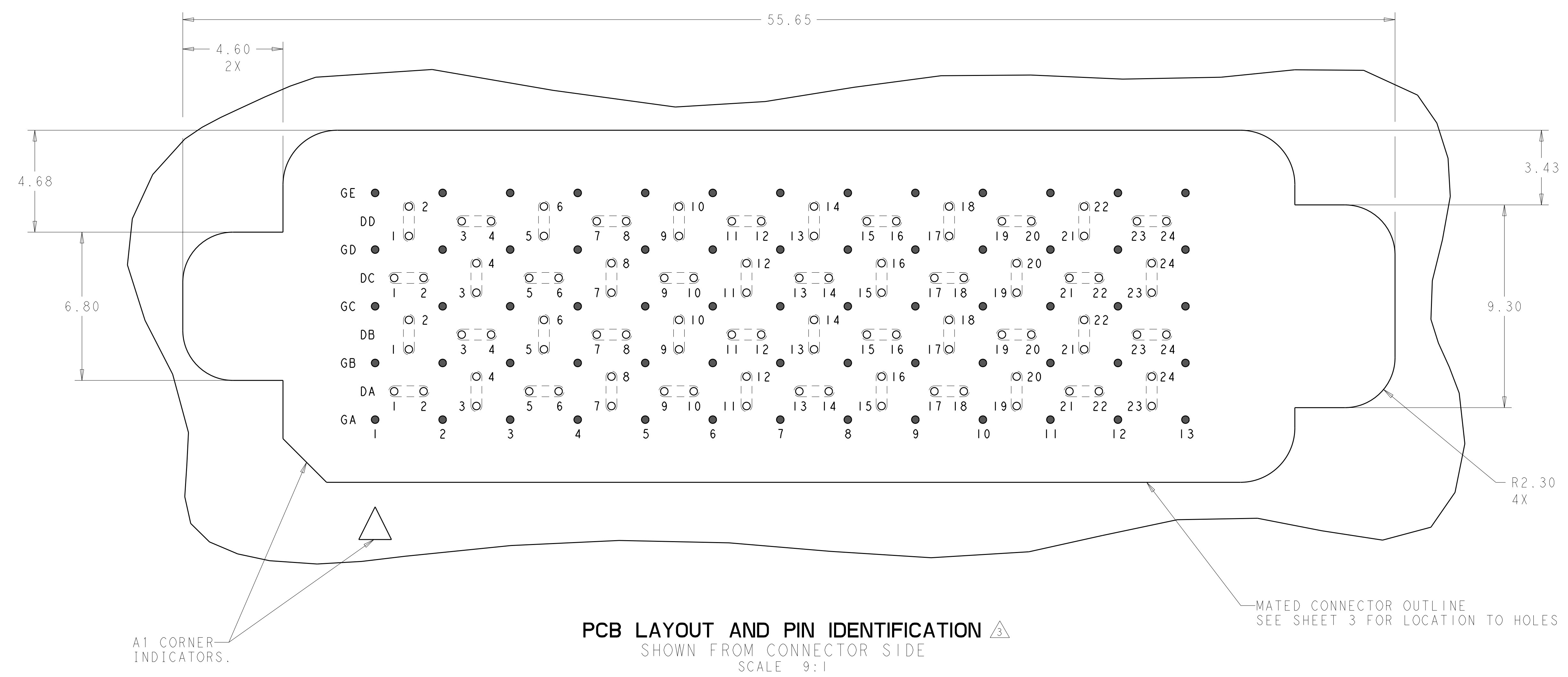
**SIZE 2 HALF-WIDE W/GUIDE POSTS \*  
48 DIFFERENTIAL PAIRS + GROUNDS  
161 TOTAL SIGNAL CONTACTS**

\* SIZE 1 AND SIZE 3 ARE ALSO AVAILABLE

THIS PRODUCT HAS NOT COMPLETED VALIDATION AND QUALIFICATION TESTING

THIS DRAWING IS A CONTROLLED DOCUMENT.		DWN HAMNER 25SEP2010	5-2149781-1	
DIMENSIONS: mm		CHK D. TROUT 29SEP2010	Sn/Pb 2149781-1	
TOLERANCES UNLESS OTHERWISE SPECIFIED:		APVD J. FEDDER 29SEP2010	TOOLED CONTACT TAIL PLATING PART NUMBER	
9 PLC ±	1 PLC ±0.13	TE Connectivity RECEPTACLE ASSEMBLY, HALF-WIDE, 48/161, STRADA MESA MEZZANINE CONNECTOR		
5 PLC ±0.013	4 PLC ±			
ANGLES ±	FINISH #1			
MATERIAL				
CUSTOMER DRAWING		SIZE CAGE CODE DRAWING NO. A100779C=2149781	RESTRICTED TO	
SCALE 6:1		SHEET 1 OF 3		REV 3

LOC	DIST	REVISIONS			
P	LTN	DESCRIPTION	DATE	DWN	APVD
GP	00	SEE SHEET 1	-	-	-



A1 CORNER INDICATORS.

**PCB LAYOUT AND PIN IDENTIFICATION**   
 SHOWN FROM CONNECTOR SIDE  
 SCALE 9:1

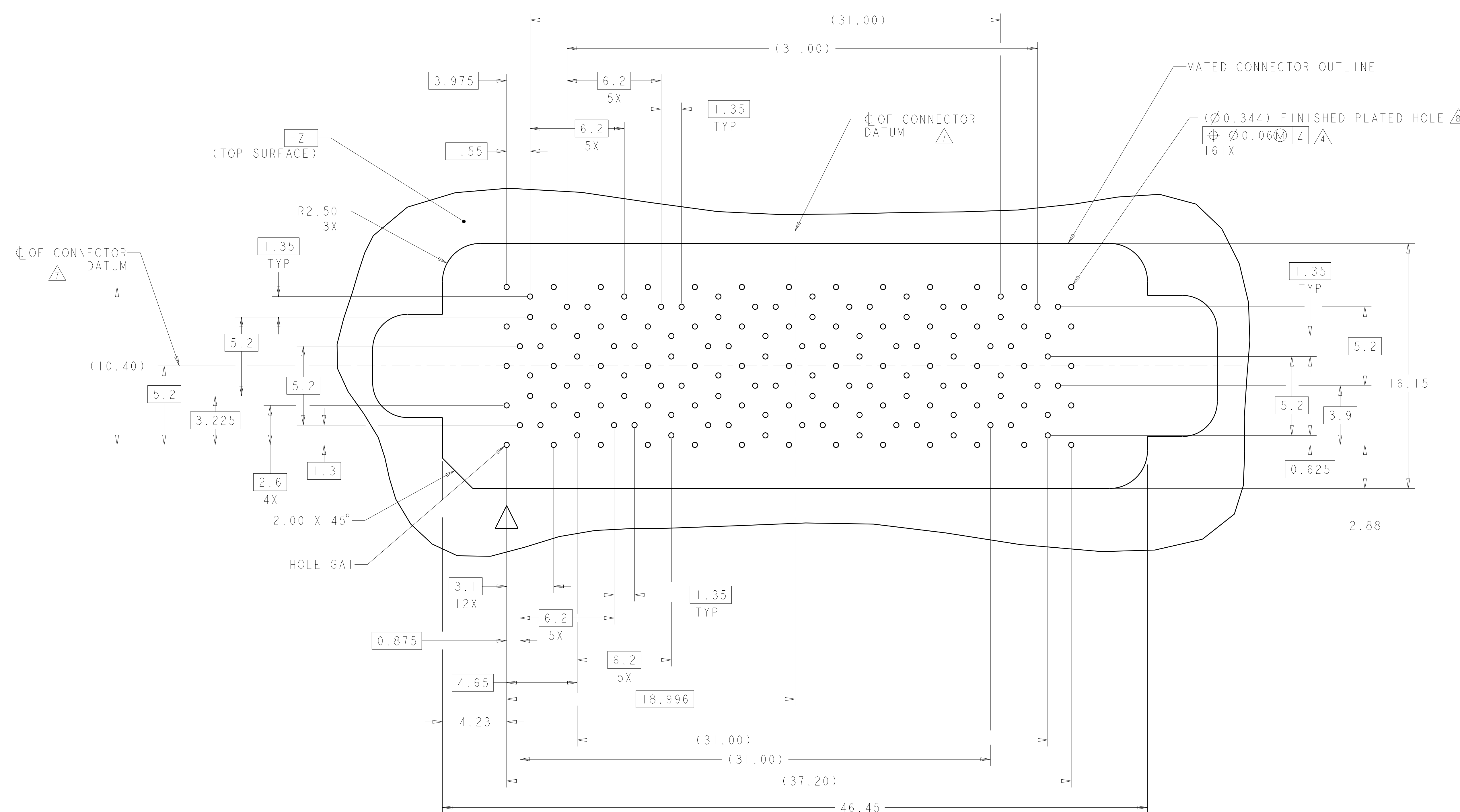
MATED CONNECTOR OUTLINE  
 SEE SHEET 3 FOR LOCATION TO HOLES

THIS DRAWING IS A CONTROLLED DOCUMENT.		DWN HAMNER 25SEP2010	TE Connectivity
DIMENSIONS: mm		CHK D. TROUT 29SEP2010	
TOLERANCES UNLESS OTHERWISE SPECIFIED:		APVD J. FEDDER 29SEP2010	NAME RECEPTACLE ASSEMBLY, HALF-WIDE, 48/161, STRADA MESA MEZZANINE CONNECTOR
9 PLC ±		PRODUCT SPEC 108-2375	SIZE CAGE CODE DRAWING NO RESTRICTED TO
2 PLC ±0.13		APPLICATION SPEC 114-13249	A100779C=2149781
3 PLC ±0.013		WEIGHT	SCALE 6:1 SHEET 2 OF 3 REV 3
4 PLC ±		CUSTOMER DRAWING	
ANGLES ±#1			
FINISH			

LOC	DIST	REV	DATE	BY	APPD
GP	00				

REVISIONS		DATE	BY	APPD
1	SEE SHEET 1			



**PCB HOLE PATTERN**  
 SHOWN FROM CONNECTOR SIDE  
 SCALE 7:1

THIS DRAWING IS A CONTROLLED DOCUMENT.		DWN HAMNER 25SEP2010	TE Connectivity
DIMENSIONS: mm		CHK D. TROUT 29SEP2010	
TOLERANCES UNLESS OTHERWISE SPECIFIED:		APVD J. FEDDER 29SEP2010	NAME RECEPTACLE ASSEMBLY, HALF-WIDE, 48/161, STRADA MESA MEZZANINE CONNECTOR
0 PLC ± 1 PLC ±0.13 2 PLC ±0.013 3 PLC ± 4 PLC ± ANGLES ±1	108-2375 APPLICATION SPEC 114-13249	PRODUCT SPEC 108-2375 APPLICATION SPEC 114-13249	SIZE CAGE CODE DRAWING NO. RESTRICTED TO A1100779C=2149781
MATERIAL	FINISH	WEIGHT	SCALE 6:1 SHEET 3 OF 3 REV 3
CUSTOMER DRAWING			

## X-ON Electronics

Largest Supplier of Electrical and Electronic Components

*Click to view similar products for [Board to Board & Mezzanine Connectors](#) category:*

*Click to view products by [TE Connectivity](#) manufacturer:*

Other Similar products are found below :

[10135583-642402LF](#) [89885-310LF](#) [589158040000018](#) [6-1393048-0](#) [68683-613](#) [MDF7-12DP-2.54DSA](#) [MDF7-18P-2.54DSA\(01\)](#) [MDF7-20DP-2.54DSA](#) [MDF7-26D-2.54DSA\(55\)](#) [MDF7-3P-2.54DSA\(01\)](#) [MDF7B-3P-2.54DSA\(55\)](#) [MDF7C-11P-2.54DSA\(55\)](#) [MDF7C-18P-2.54DSA\(55\)](#) [MDF7C-5P-2.54DSA\(01\)](#) [MDF7P-5P-2.54DSA\(55\)](#) [75234-0516](#) [FCN-230C068-11](#) [FCN-268F012-G/BD](#) [FCN-268F036-G/BD](#) [FCN-268M012-G/0D](#) [FCN-268M024-G/1D](#) [FCN-360C008-C](#) [FCN-360C040-C](#) [FCN-723J004/1](#) [MIS-048-01-F-D-DP-K](#) [832-10-034-10-001000](#) [93696-325LF](#) [11828-1FA](#) [AXK630345P](#) [18097-0013](#) [ICA-328STT](#) [2007042-2](#) [304400-2](#) [FCN-214Q030-G/0](#) [FCN-215Q040-G/0](#) [FCN-230C068-ESA](#) [FCN-234P048-G/0](#) [FCN-235D050-G/C](#) [FCN-360A3](#) [FCN-360C040-B](#) [210-93-314-41-105000](#) [2-22603-0](#) [379-064-521-202](#) [MDF7-12P-2.54DSA\(01\)](#) [MDF7-16P-2.54DS\(56\)](#) [MDF7-40DP-2.54DSA\(55\)](#) [MDF7-8P-2.54DSA\(55\)](#) [MDF7B-16P-2.54DSA\(55\)](#) [AXG720047](#) [5031084030](#)