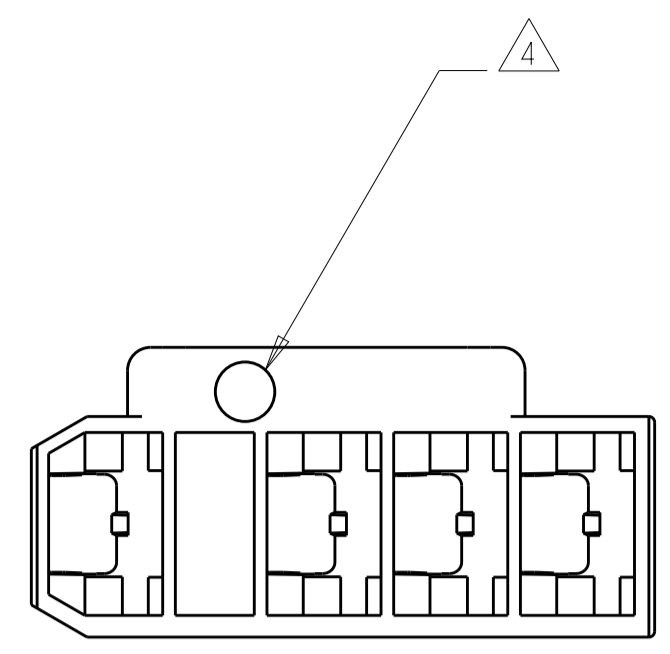
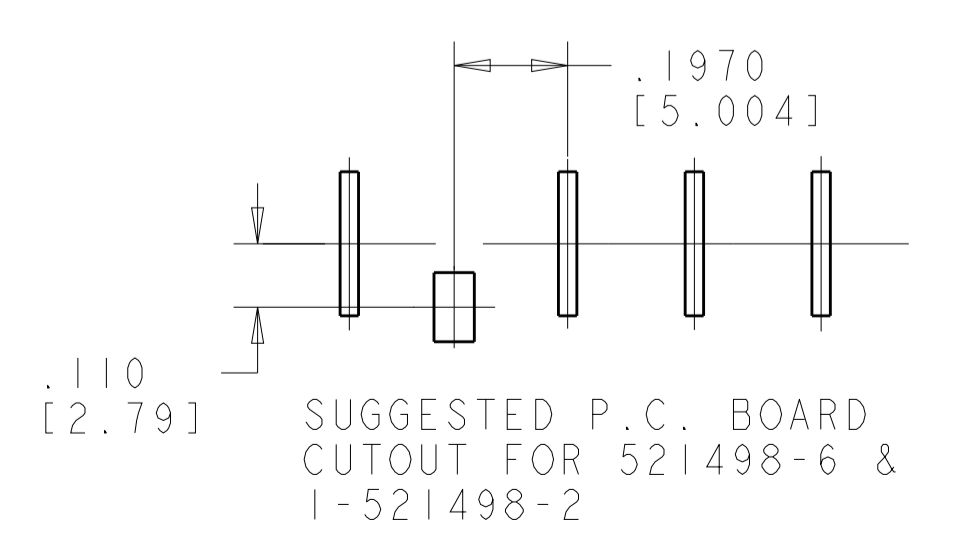
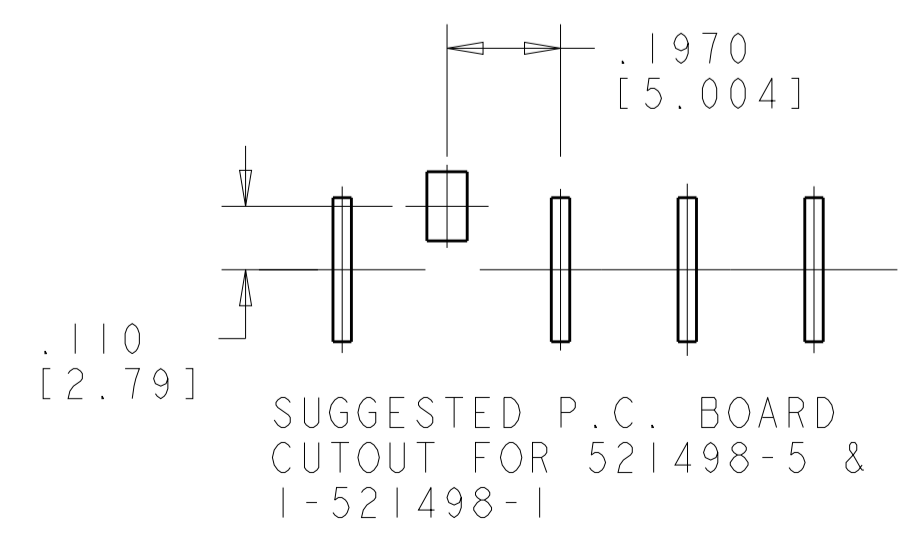
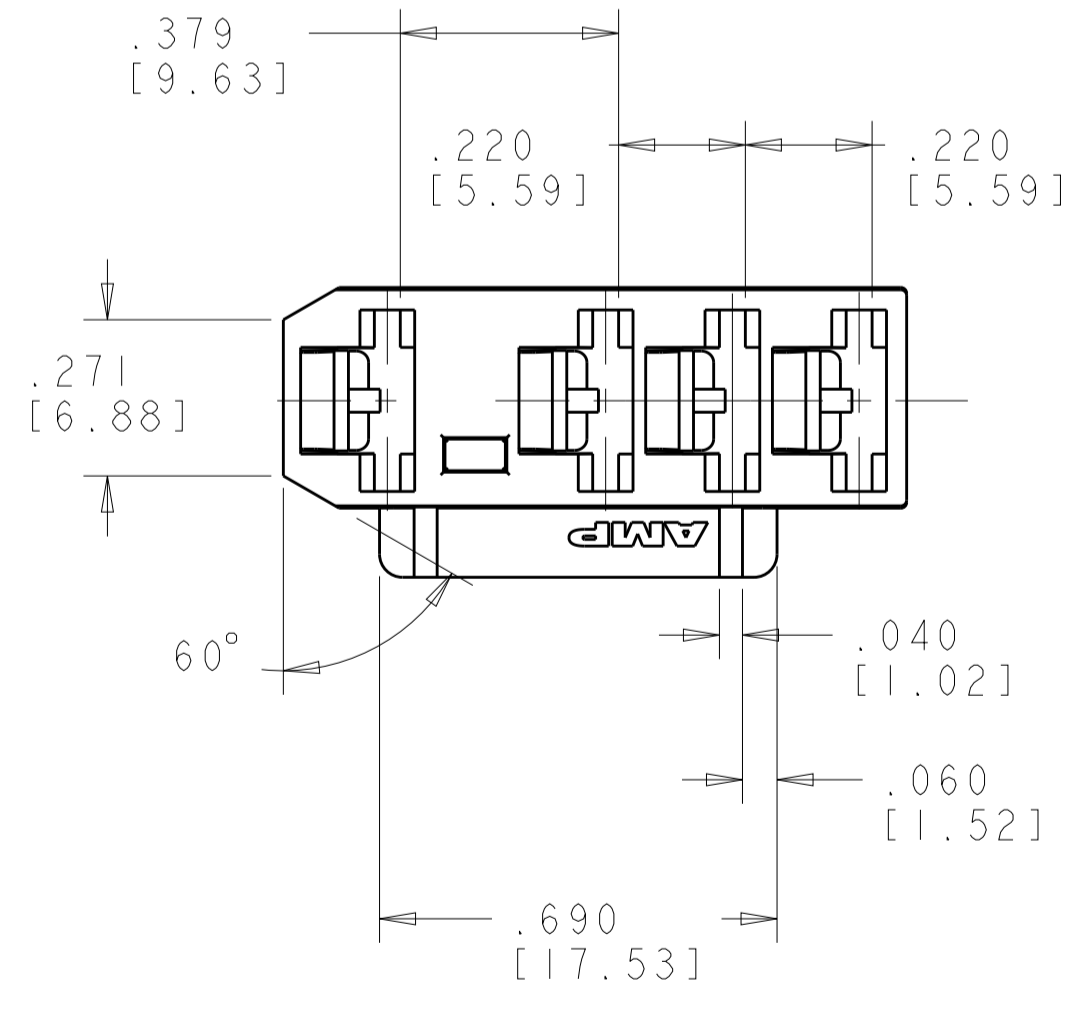
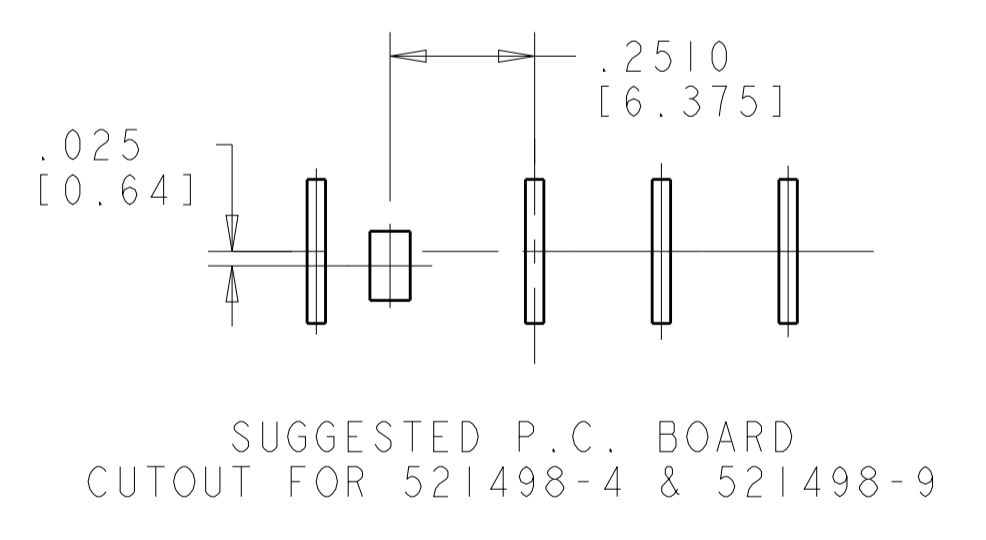
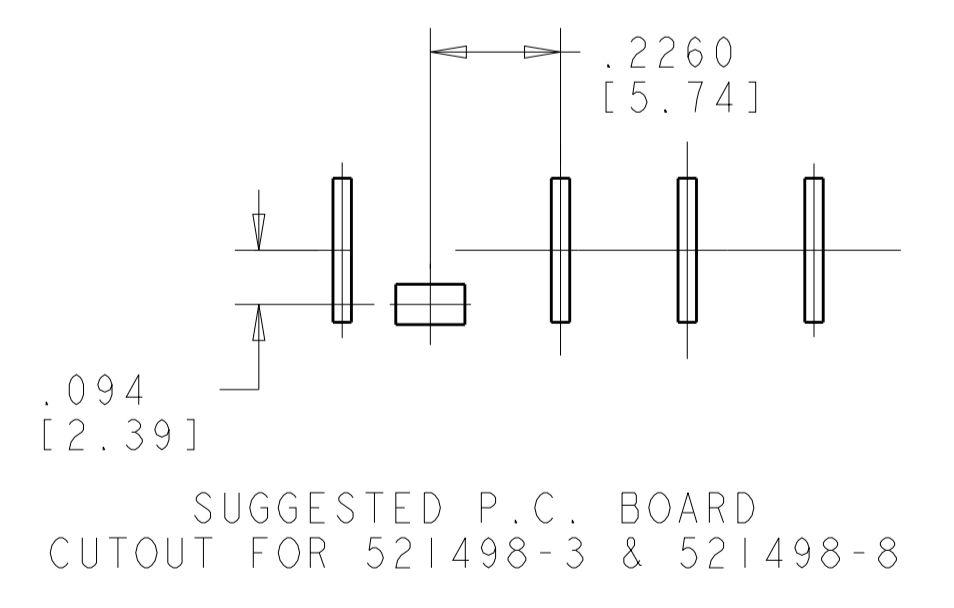
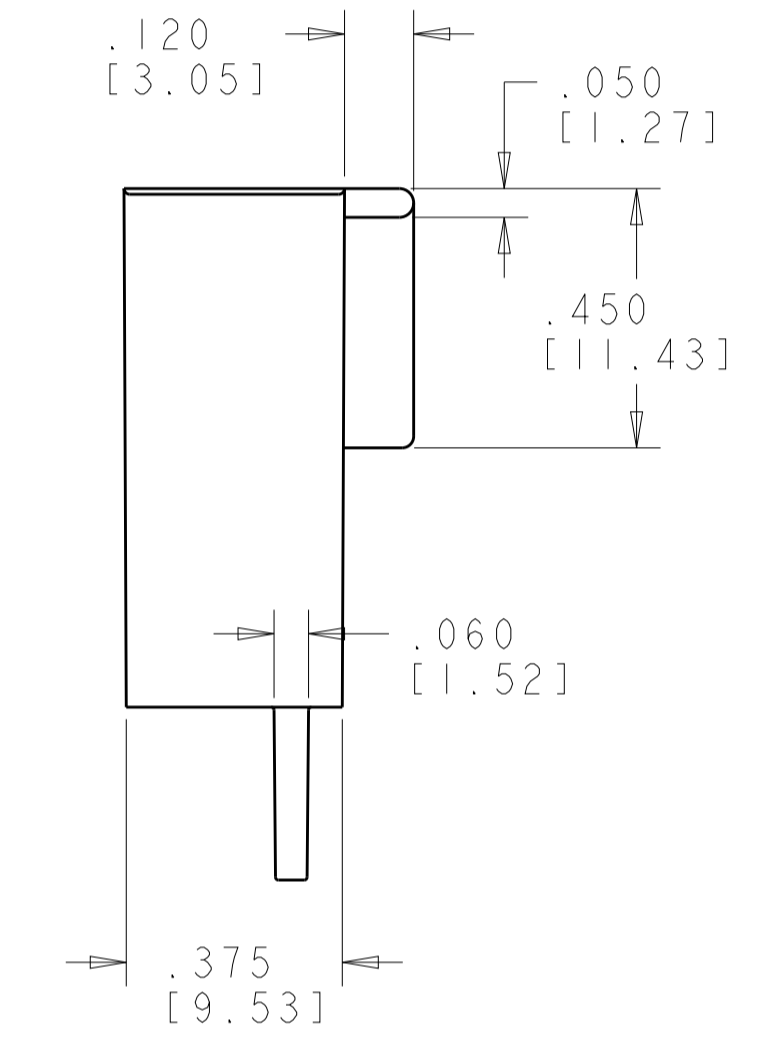
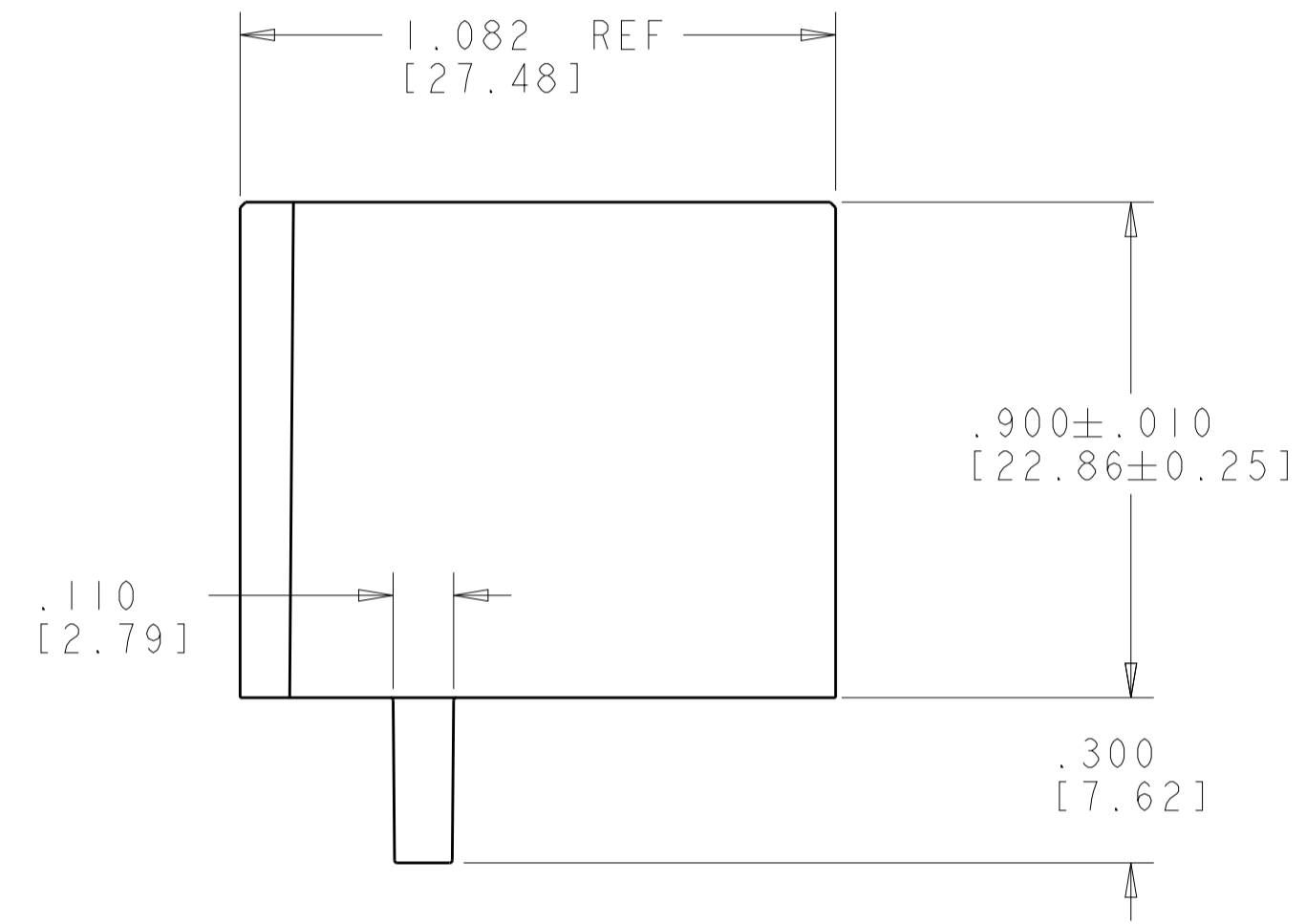
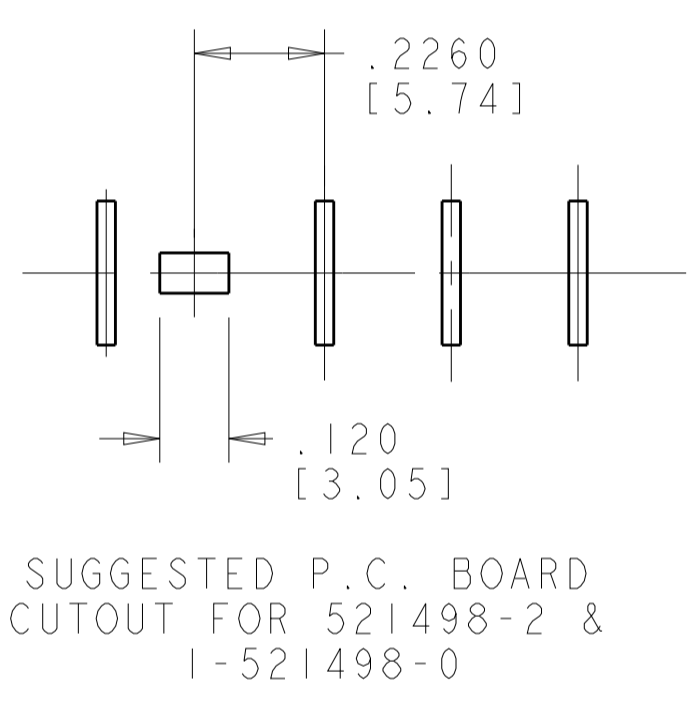
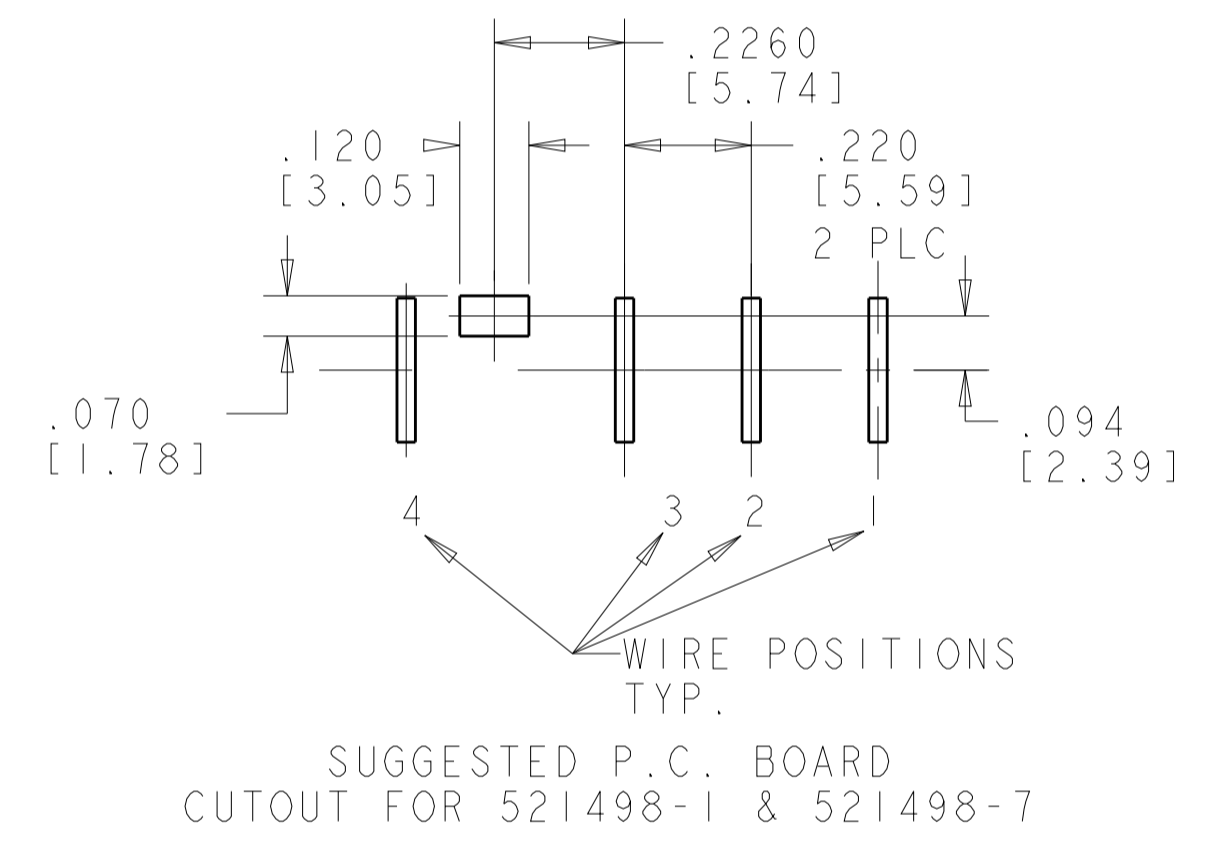


REVISIONS				
P.	LTN	DESCRIPTION	DATE	APP'D
N2		REVISED PER ECR-18-007506	08DEC2018	BDA DS



- FOR USE WITH TYCO ELECTRONICS 250 SERIES LOW INSERTION RECEPTACLES
- ALL SUGGESTED P.C. BOARD CUTOUTS ARE SHOWN FROM THE COMPONENT SIDE.
- V-O LETTERS THIS LOCATION FOR -7 THRU -12 PARTS ONLY.
- BLUE COLOR MAY APPEAR GRAY
- 521498-7: BLUE PARTS MAY APPEAR MEDIUM BLUE TO LIGHT BLUE TO LIGHT GRAY IN COLOR AND MAY ALSO EXHIBIT A MARBLING EFFECT.
- 521498-8: YELLOW PARTS MAY APPEAR LIGHT YELLOW TO LIGHT BEIGE IN COLOR AND MAY ALSO EXHIBIT A MARBLING EFFECT.
- 1-521498-0: GREEN PARTS MAY APPEAR MEDIUM GREEN TO VERY LIGHT GREEN (MINT) IN COLOR AND MAY ALSO EXHIBIT A MARBLING EFFECT.
- 1-521498-2: RED PARTS MAY APPEAR DARK PINK, MEDIUM PINK, OR LIGHT PINK IN COLOR AND MAY ALSO EXHIBIT A MARBLING EFFECT.
- OBSELETE PARTS
- PARTS MAY APPEAR MEDIUM COLORED TO LIGHT COLORED AND EXHIBIT A MARBLING EFFECT.



△ SUPERSEDED BY 2-521498-2
 △ SUPERSEDED
 △ SUPERSEDED BY 2-521498-9
 △ SUPERSEDED

BLACK	NYLON V0 BLACK	2-521498-9
YELLOW	NYLON V0 YELLOW	2-521498-8
BLUE	NYLON V0 BLUE	2-521498-7
RED	NYLON V0 RED	2-521498-2
GREEN	NYLON V0 GREEN	2-521498-0
RED	NYLON, V-0	1-521498-2
WHITE	NYLON, V-0	1-521498-1
GREEN	NYLON, V-0	1-521498-0
BLACK	NYLON, V-0	521498-9
YELLOW	NYLON, V-0	521498-8
BLUE	NYLON, V-0	521498-7
RED	NYLON, V-2	521498-6
WHITE	NYLON, V-2	521498-5
BLACK	NYLON, V-2	521498-4
YELLOW	NYLON, V-2	521498-3
GREEN	NYLON, V-2	521498-2
BLUE	NYLON, V-2	521498-1
COLOR	MATERIAL	PART NUMBER

THIS DRAWING IS A CONTROLLED DOCUMENT. OWN: R. FLAIG 01OCT2002. CHK: P. DESANTIS 01OCT2002. APVD: P. DESANTIS 01OCT2002.

STE TE Connectivity

NAME: HOUSING, RECEPTACLE FASTON, .250 [6.35] SERIES

SIZE: A1 00779 C=521498

SCALE: 3:1 SHEET 1 OF 1 REV: N2

X-ON Electronics

Largest Supplier of Electrical and Electronic Components

Click to view similar products for [Terminals](#) category:

Click to view products by [TE Connectivity](#) manufacturer:

Other Similar products are found below :

[HT-13-10](#) [71M-250-32-NB](#) [01-2065-1-0216](#) [00581P0075](#) [M10-10RX](#) [M10BCK](#) [60205-1](#) [604200-1](#) [60598-1-CUT-TAPE](#) [60617-1-C](#) [60873-1](#) [M14-516R/SK](#) [M14-6RSX](#) [M18-8FBX](#) [M18-8R/LX](#) [M18BCK](#) [61314-6-C](#) [61-S](#) [61-SN-A](#) [62-NBM-A](#) [63-S](#) [640179-1](#) [640917-2-CUT-TAPE](#) [6501550002](#) [66107-2-C](#) [696683-1](#) [696834-1](#) [696861-1](#) [696931-1](#) [696999-1](#) [M8-516RK](#) [M86700006](#) [MA250DMFMX-A](#) [701-2007](#) [701-2307](#) [701-7761-03](#) [70F-110-32-PB](#) [718-N-A](#) [71M-187-20-NBL](#) [71M-250-32-NBL](#) [72F-187-20-NBL](#) [72M-250-32-NBL](#) [7310](#) [73F-250-32](#) [73F-250-32-NL](#) [F14-10C](#) [F-1M](#) [751-250](#) [76650-5002](#) [76828-149](#)