

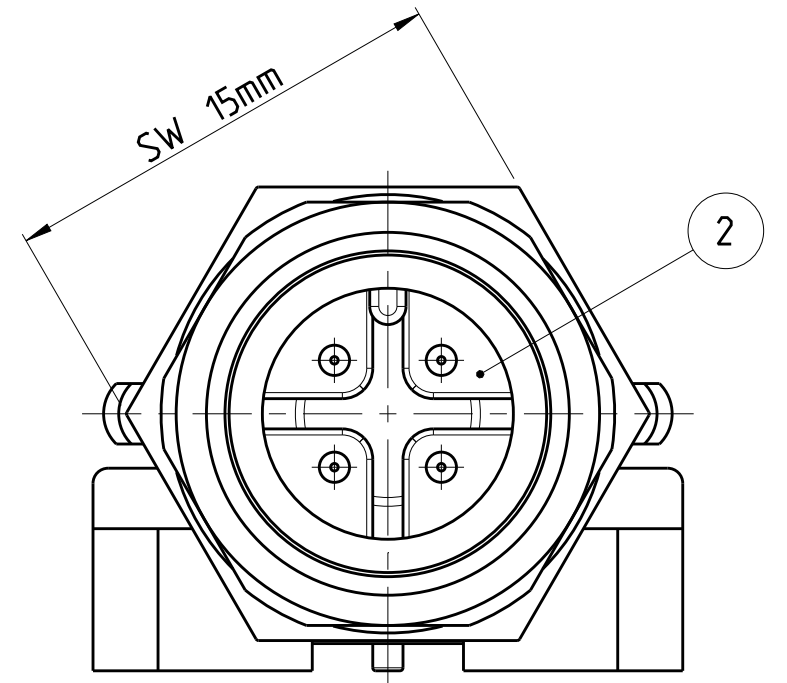
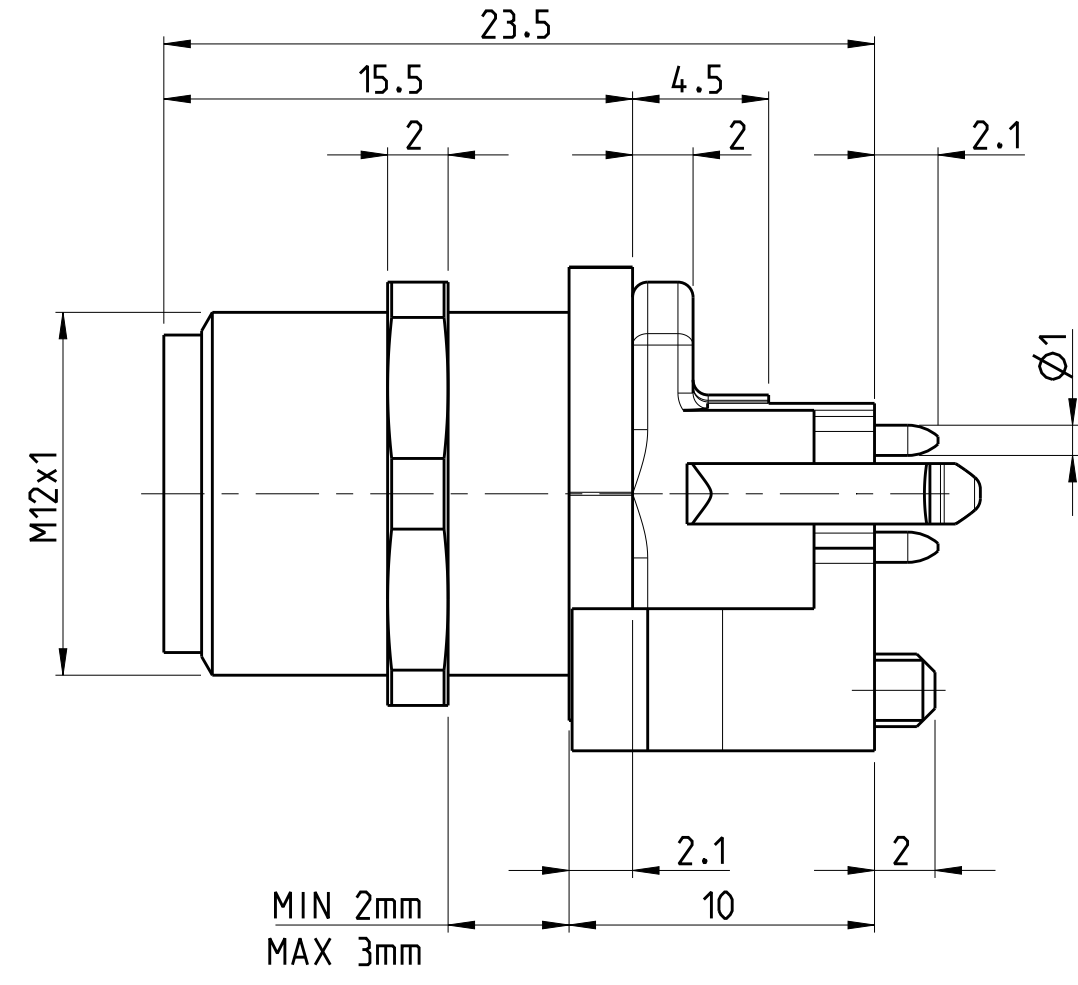
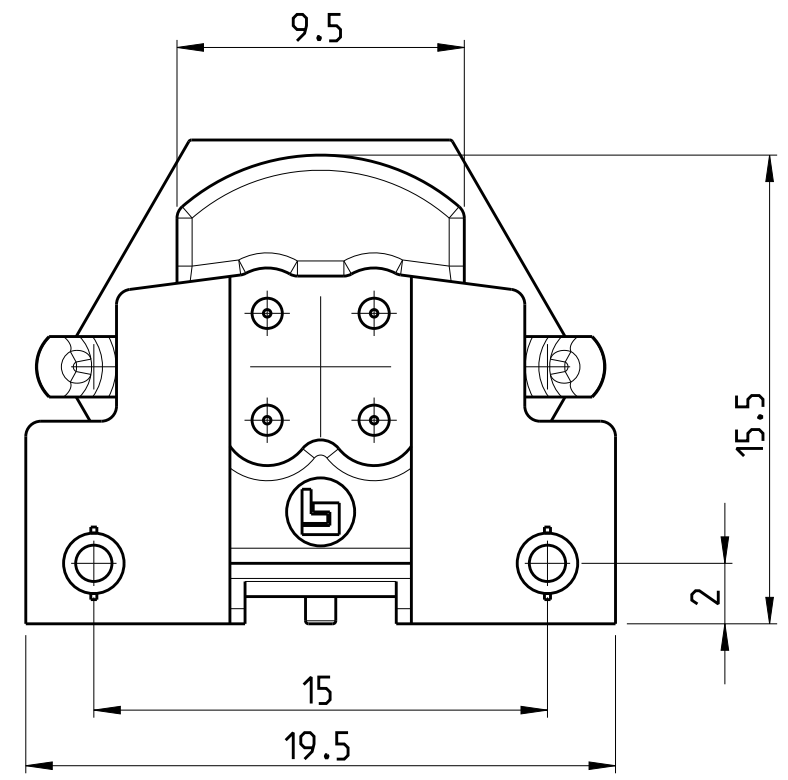
| P | LTR | REVISIONS ÄNDERUNGEN DESCRIPTION BESCHREIBUNG | DATE | DWN | APVD |
|----|-----|--|-----------|-----|------|
| A | | NEW RELEASE | 04DEC2014 | TJ | PS |
| A1 | | 3-2172070-2 AND 4-2172070-2 DISCONTINUED | 23SEP2017 | TJ | NG |

NOTES:

- 1 MATERIAL: ITEM NO. 1: HOUSING - CuZn (BRASS, NICKEL PLATED)
 ITEM NO. 2: CONTACT BODY - PA
 ITEM NO. 3: CONTACT - CuZn (BRASS)
 CONTACT FINISH - AU (GOLD)

2 ALL DIMENSIONS ARE FOR NOMINAL REFERENCE ONLY UNLESS OTHERWISE STATED

| TECHNICAL DATA | 3-2172070-2 | 4-2172070-2 | 5-2172070-2 |
|-----------------------|-------------|-------------|-------------|
| RATED VOLTAGE | 250V | 125V | 60V |
| RATED IMPULSE VOLTAGE | 2500V | 1500V | 800V |
| POLLUTION DEGREE | 3 | 3 | 3 |
| OVERVOLTAGE CATEGORY | II | II | II |
| MATERIAL GROUP | III | III | III |
| RATED CURRENT | 4A | 4A | 2A |
| VOLUME RESISTIVITY | ≤ 3mΩ | ≤ 3mΩ | ≤ 3mΩ |
| DEGREE OF PROTECTION | IP68 | IP68 | IP68 |
| UPPER TEMPERATURE | +85 °C | +85 °C | +85 °C |
| LOWER TEMPERATURE | -40 °C | +40 °C | +40 °C |

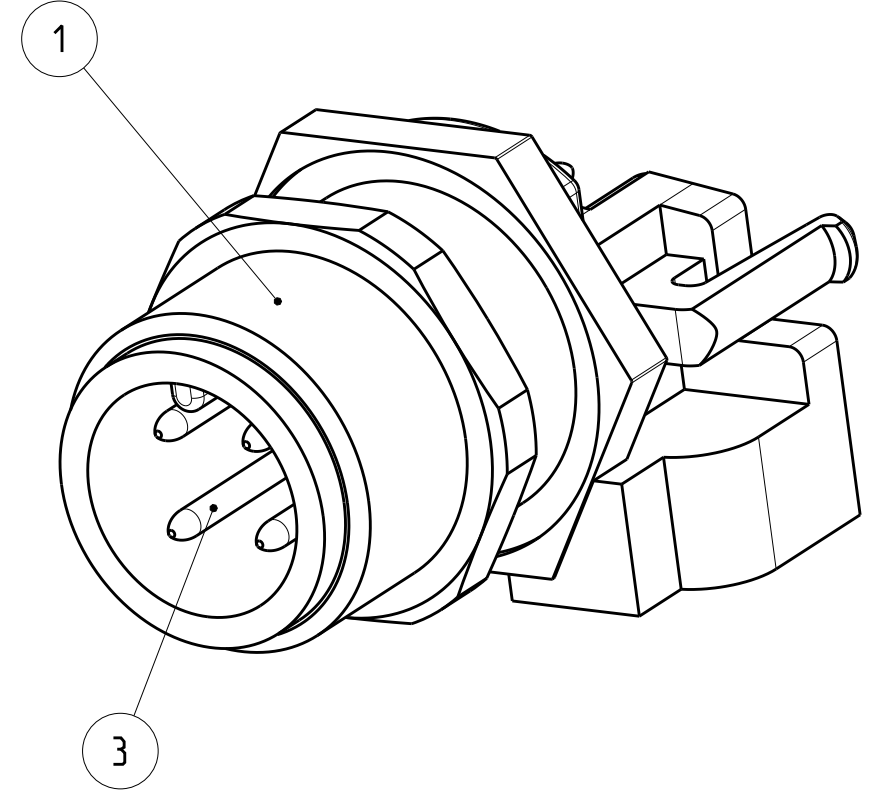


PIN ARRANGEMENT A-CODING (SCALE 2:1)

| 3-2172070-2 | 4-2172070-2 | 5-2172070-2 |
|-------------|-------------|-------------|
| | | |

CONDUCTOR LAYOUT

| | | |
|--|--|--|
| | | |
|--|--|--|



SIZE ISO 14405 (E)

| | | |
|----------|-----------------|-------------|
| ⚠ | 8 | 5-2172070-2 |
| ⚠ | 5 | 4-2172070-2 |
| ⚠ | 4 | 3-2172070-2 |
| MATERIAL | NUMBER OF POLES | TE-PART-NO. |

DIESE ZEICHNUNG IST EIN KONTROLLIERTES DOKUMENT. BEMASSUNGEN UND TOLERANZEN GEMAESS GPS (ISO STANDARDS). THIS DRAWING IS A CONTROLLED DOCUMENT. DIMENSIONING AND TOLERANCING PER GPS (ISO STANDARDS).

DIMENSIONS: MASSE/MAEßEN: (MM) TOLERANCES UNLESS OTHERWISE SPECIFIED: ALLGEMEINTOLERANZEN

0 PLC ±
1 PLC ±
2 PLC ±
3 PLC ±
4 PLC ±
ANGLES/WINKEL ±
FINISH/OBERFLÄCHE/FARBE

DWN YASHKUMAR 24 JUL 2014
CHK M. BRUBAKER 24 JUL 2014
APVD M. BRUBAKER 24 JUL 2014

PRODUCT SPEC 108-19483
APPLICATION SPEC 114-32127

MATERIAL SEE NOTES
FINISH/OBERFLÄCHE/FARBE SEE NOTES

Customer Drawing

STE TE Connectivity

NAME M12 RECEPTACLE, MALE, PCB MOUNT, STRAIGHT, A-CODED

SIZE A2 CAGE CODE 00779 DRAWING NO. ZEICHNUNGS-NR. C-2172070 RESTRICTED TO NUR FÜR -

SCALE MASSSTAB 4:1 SHEET BLATT 1 OF 1 REV A1

X-ON Electronics

Largest Supplier of Electrical and Electronic Components

Click to view similar products for [Circular Metric Connectors](#) category:

Click to view products by [TE Connectivity](#) manufacturer:

Other Similar products are found below :

[600X518037X](#) [6STD15PCR99B70A](#) [8R4000A16M020](#) [8R5000A16M005](#) [1200910002](#) [1203580030](#) [1200910008](#) [1200910011](#) [1300140094](#)
[130203-0054](#) [1300140026](#) [1300150099](#) [RF-12S1N8A90DU](#) [1-3637-600-5205](#) [1612618](#) [21036836414](#) [8R4006A16M010](#) [8R5006A18A120](#)
[1604232](#) [1R3006A20M005](#) [RF-12P1N8A80DU](#) [RF-12P1N8A90DU](#) [41-40011](#) [42-01015](#) [4-22279-4](#) [4-22281-1](#) [4-22284-9](#) [43-00113](#) [43-](#)
[01088](#) [43-01203](#) [41-40013](#) [42-00008](#) [43-00343](#) [43-01032](#) [43-01162](#) [43-10000](#) [600X518050X](#) [SACC-DSI-FS-5P-PG9-L180 SC](#)
[8R5006A16M020](#) [8R5006A16M005](#) [8R4000A16M010](#) [6-22279-3](#) [1605332](#) [N03FA03144](#) [1300140077](#) [43-01338](#) [XS2RD4265](#) [RSC 4/9](#)
[XS2R-D426-1](#) [XS8A-0441](#)