

THIS DRAWING IS UNPUBLISHED.
VERTRÄULICHE UNVERÖFFENTLICHTE ZEICHNUNG
© COPYRIGHT 2014 Tyco Electronics AMP GmbH

RELEASED FOR PUBLICATION
FREI FUER VERÖFFENTLICHUNG
2014
ALL RIGHTS RESERVED.
ALLE RECHTE VORBEHALTEN.

MATED WITH:
PASSEND ZU:

DIESE ZEICHNUNG IST EIN KONTROLLIERTES DOKUMENT.
BEMASSUNGEN UND TOLERANZEN GEMAESS GPS (ISO STANDARDS).

PROJEKT NR.:
PRJ-11-000004377

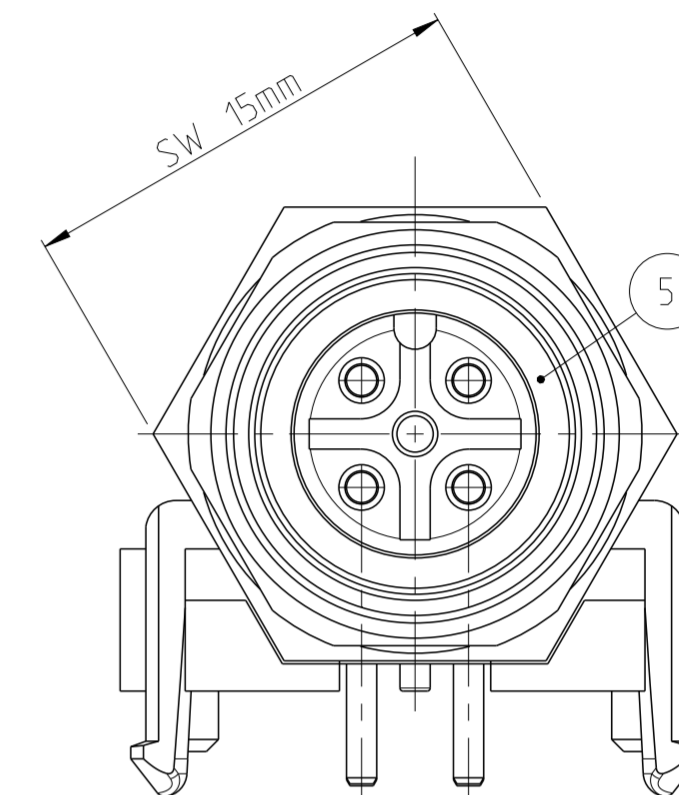
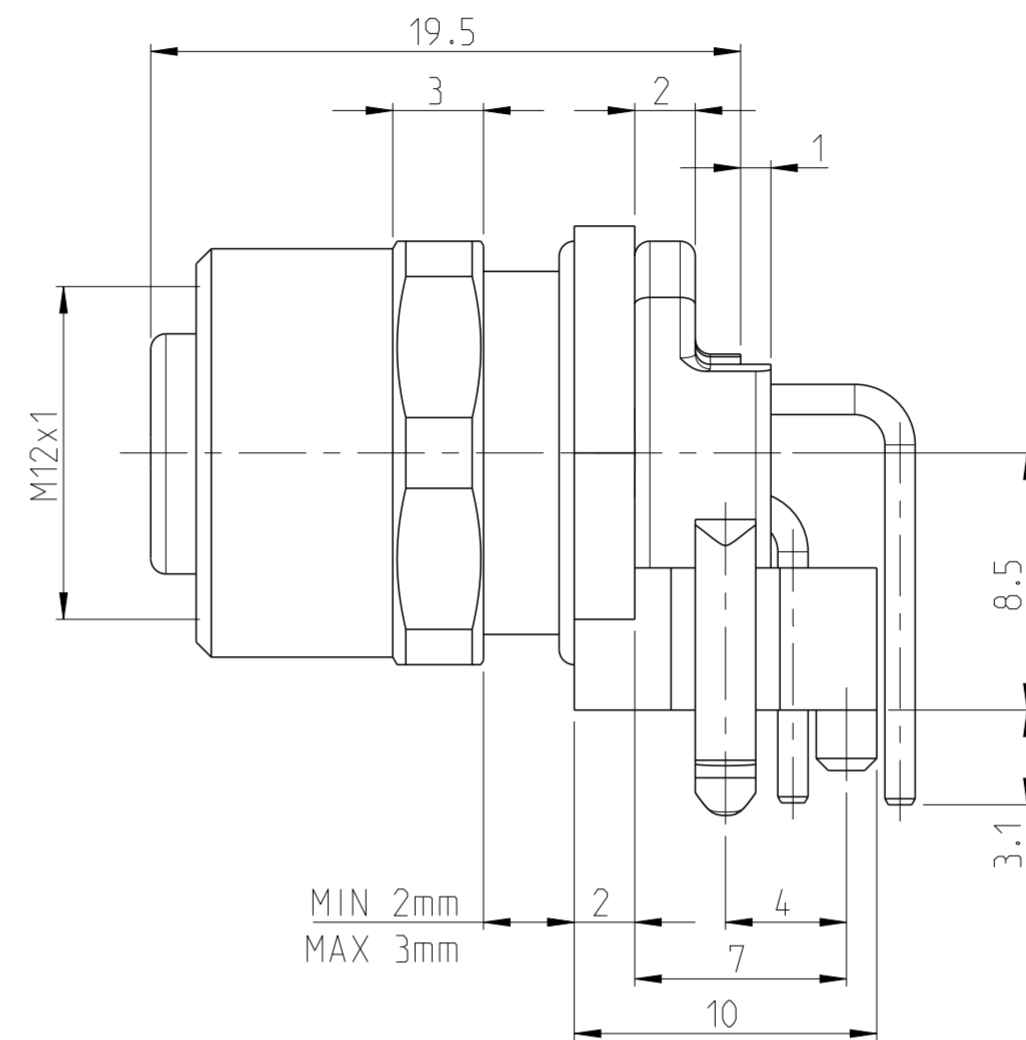
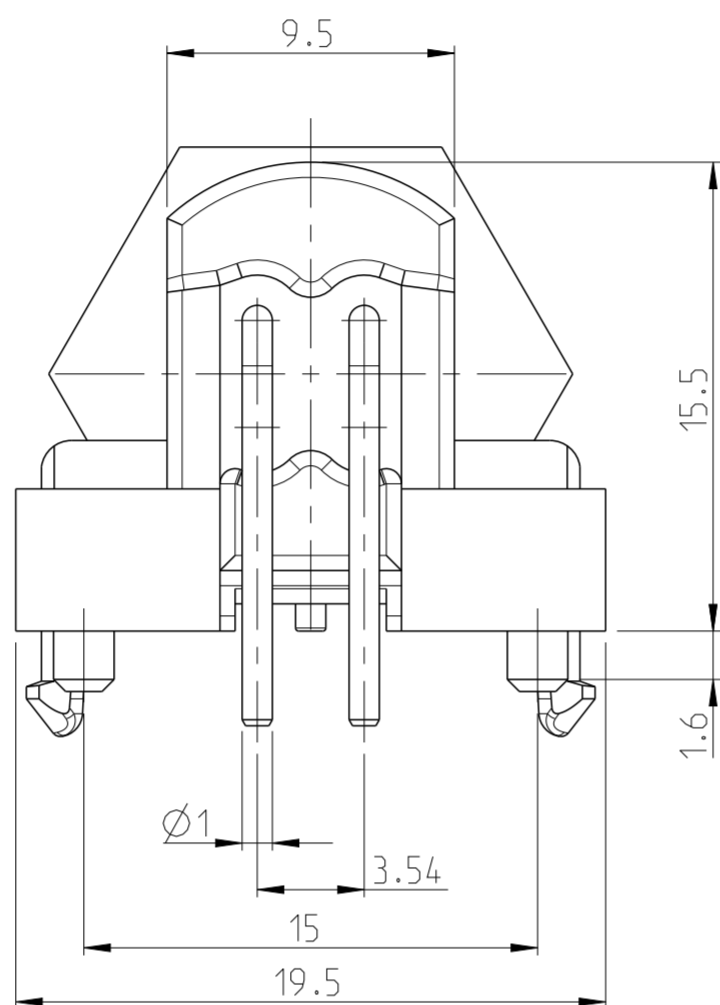
REVISIONS
ÄNDERUNGEN

P	LTR	DESCRIPTION BESCHREIBUNG	DATE	DWN	APVD
A		NEW RELEASE	27NOV2014	CR	JK
A1		NUT SHELL AND 5P HOUSING PN INTRODUCED	23SEP2015	TJ	NG
A2		SEAL QTY, MATERIAL DETAILS ADDED IN NOTES	10JAN2018	TJ	NG

- 1 MATERIAL:
- ITEM NO. 1: NUT SHELL - CuZn (BRASS, NICKEL PLATED)
 - ITEM NO. 2: HOUSING - PA
 - ITEM NO. 3: CONTACT - CuZn (BRASS)
 - ITEM NO. 4: SEAL LARGE - NBR (QTY-1)
 - ITEM NO. 5: SEAL SMALL - FPM (QTY-1)
 - CONTACT FINISH - Au (GOLD)

2 ALL DIMENSIONS ARE FOR NOMINAL REFERENCE ONLY UNLESS OTHERWISE STATED

TECHNICAL DATA	3-2172079-2	4-2172079-2	5-2172079-2
RATED VOLTAGE	250V	125V	60V
RATED IMPULSE VOLTAGE	2500V	1500V	800V
POLLUTION DEGREE	3	3	3
OVERVOLTAGE CATEGORY	II	II	II
MATERIAL GROUP	III	III	III
RATED CURRENT	4A	4A	2A
VOLUME RESISTIVITY	≤ 3mΩ	≤ 3mΩ	≤ 3mΩ
DEGREE OF PROTECTION	IP68	IP68	IP68
UPPER TEMPERATURE	+85 °C	+85 °C	+85 °C
LOWER TEMPERATURE	-40 °C	+40 °C	+40 °C

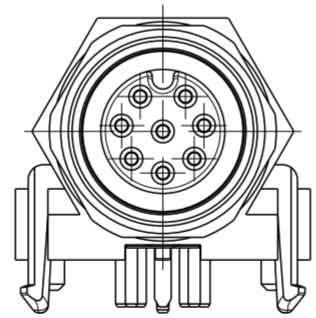
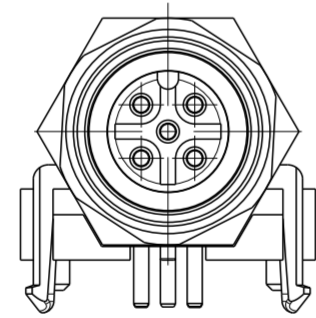
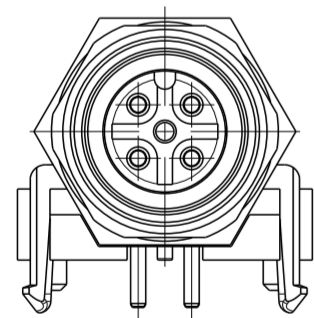


PIN ARRANGEMENT A-CODING (SCALE 2:1)

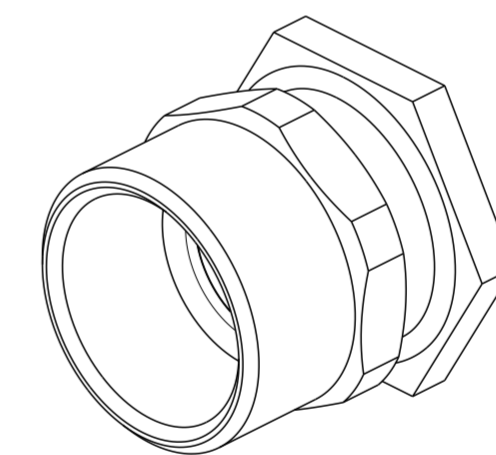
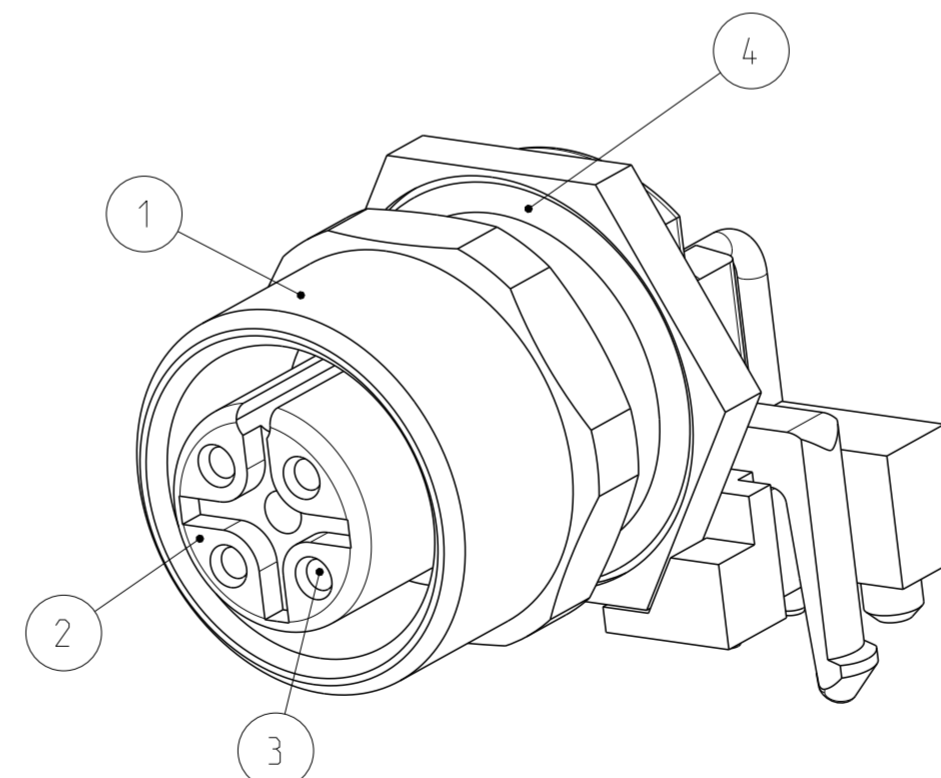
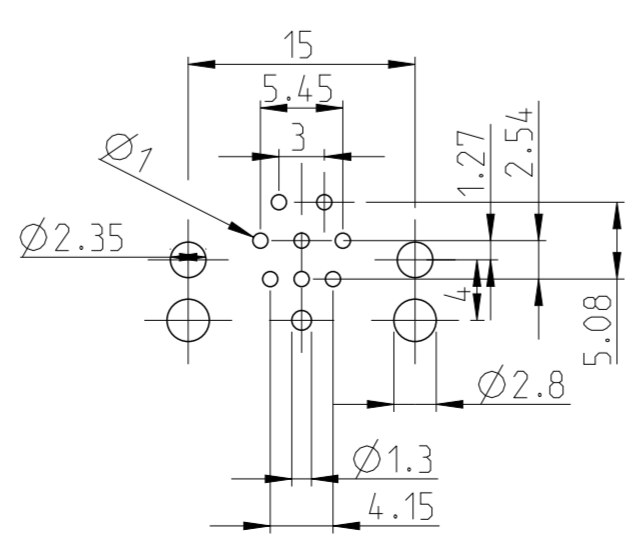
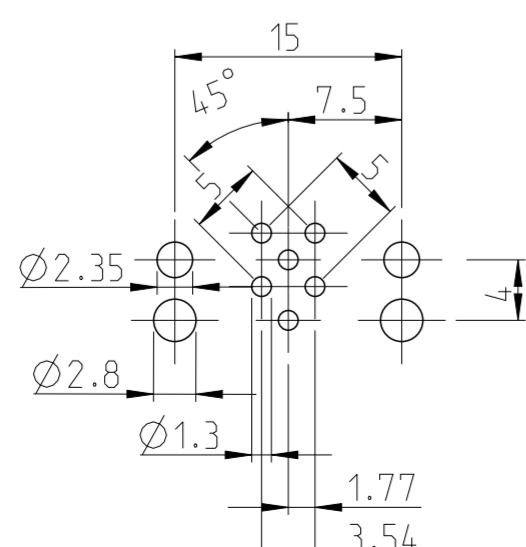
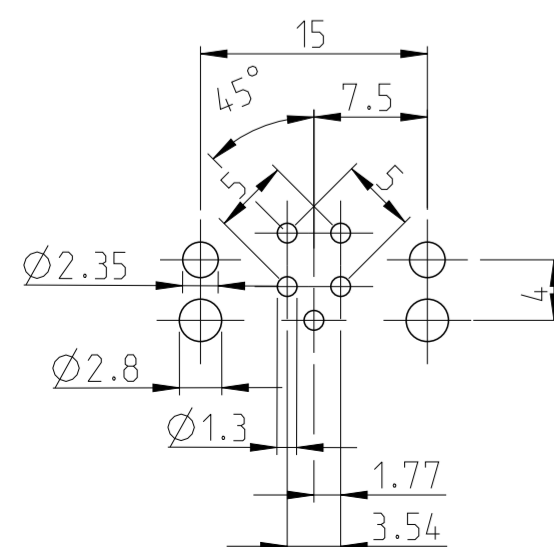
3-2172079-2

4-2172079-2

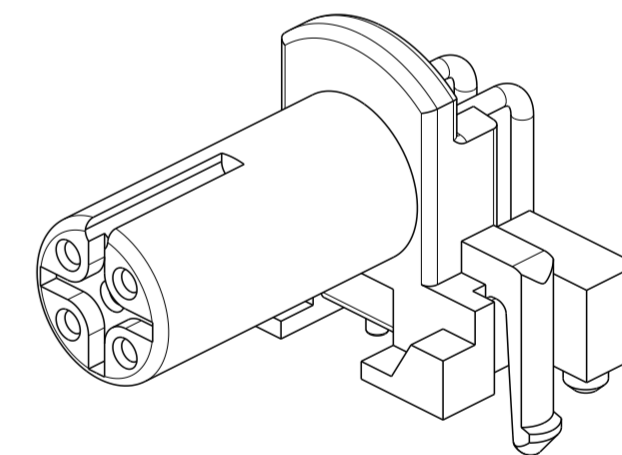
5-2172079-2



CONDUCTOR LAYOUT



NUT SHELL
PN 2172079-3



REFER TABLE FOR
HOUSING PN

ALSO SOLD SEPARATELY

⚠	8	5-2172079-2	
⚠	5	4-2172079-2	4-2172079-3
⚠	4	3-2172079-2	
MATERIAL	NUMBER OF POLES	PART NUMBER	HOUSING PN

THIS DRAWING IS A CONTROLLED DOCUMENT.
DIMENSIONING AND TOLERANCING PER GPS (ISO STANDARDS).

DIMENSIONS:
MASSEINHEITEN: (MM)

TOLERANCES UNLESS OTHERWISE SPECIFIED:
ALLGEMEINTOLERANZEN

0 PLC ±
1 PLC ±
2 PLC ±
3 PLC ±
4 PLC ±
ANGLES/WINKEL ±
FINISH/OBERFLÄCHE/FARBE

MATERIAL

DWN YASHKUMAR 09AUG2014
CHK M. BRUBAKER 09AUG2014
APVD M. BRUBAKER 09AUG2014

PRODUCT SPEC
108-19483

APPLICATION SPEC
114-32127

WEIGHT
GEWICHT

Customer Drawing

NAME
M12 RECEPTACLE, FEMALE, PCB MOUNT,
PANEL MOUNT, ANGLED, SHIELDED,
WITH STANDOFF, A-CODED

SIZE A2
CAGE CODE 00779
DRAWING NO. C-2172079
RESTRICED TO NUR FUER

SCALE MASSTAB 3:1
SHEET BLATT 1 OF VON 1
REV A2

SIZE ISO 14405 (E)

X-ON Electronics

Largest Supplier of Electrical and Electronic Components

Click to view similar products for [Circular Metric Connectors](#) category:

Click to view products by [TE Connectivity](#) manufacturer:

Other Similar products are found below :

[600X518037X](#) [6STD15PCR99B70A](#) [8R4000A16M020](#) [8R5000A16M005](#) [1200910002](#) [1203580030](#) [1200910008](#) [1200910011](#) [1300140094](#)
[130203-0054](#) [1300140026](#) [1300150099](#) [RF-12S1N8A90DU](#) [1-3637-600-5205](#) [1612618](#) [21036836414](#) [8R4006A16M010](#) [8R5006A18A120](#)
[1604232](#) [1R3006A20M005](#) [RF-12P1N8A80DU](#) [RF-12P1N8A90DU](#) [41-40011](#) [42-01015](#) [4-22279-4](#) [4-22281-1](#) [4-22284-9](#) [43-01088](#) [43-](#)
[01203](#) [41-40013](#) [42-00008](#) [43-00343](#) [43-01032](#) [43-01162](#) [43-10000](#) [600X518050X](#) [SACC-DSI-FS-5P-PG9-L180 SC](#) [8R5006A16M020](#)
[8R5006A16M005](#) [8R4000A16M010](#) [6-22279-3](#) [1605332](#) [N03FA03144](#) [1300140077](#) [43-01338](#) [XS2RD4265](#) [RSC 4/9](#) [XS2R-D426-1](#)
[XS8A-0441](#) [859RD04-103R004](#)